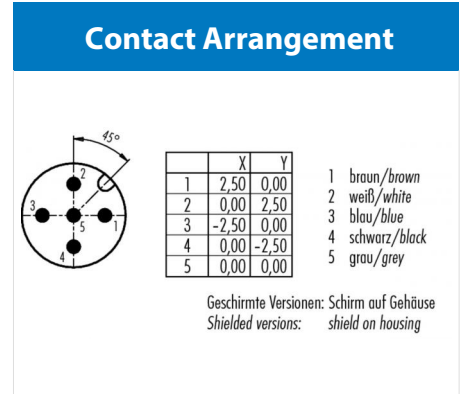
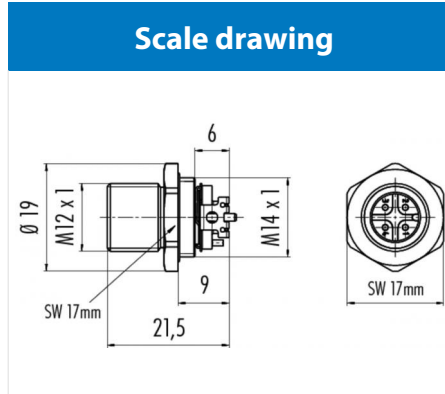
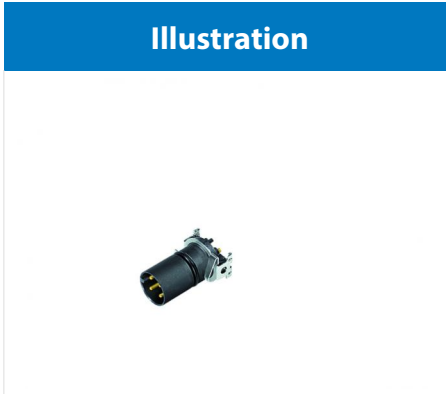


Product **Polzahl 5: Einbaustecker, SMT, mit Gehäuse, schirmbar, Einbauhöhe 9mm**
 Area **M12-A Series 713/763**
 Article number **99 3441 401 05**



You can find the assembly instruction on the next page.

Technical data

General features

Connector Design integrated plug
 Connector locking system bolted
 Termination dip-solder
 Upper temperature 85 °C
 Lower temperature -40 °C

Electrical parameters

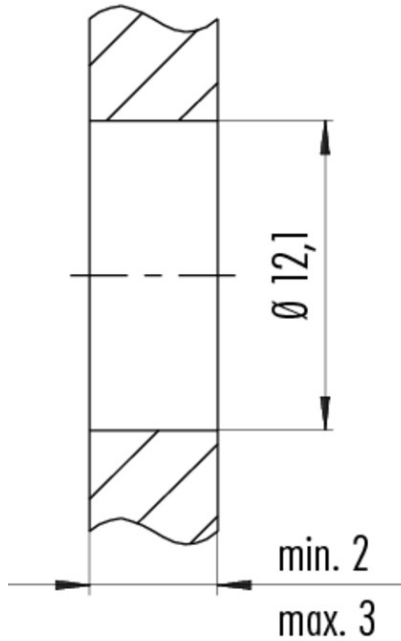
Rated voltage 60 V
 Rated impulse voltage 1500 V
 Pollution degree 3
 Overvoltage category II
 Material group III
 Rated current (40°C) 4 A
 Volume resistivity ≤ 3 mΩ
 EMV compliance shieldable
 Degree of protection IP67
 Mechanical operation > 50 Mating cycles

Material

Material of contact CuZn (Messing)
 Contact plating Au (gold)
 Material of contact body LCP

Product **Polzahl 5: Einbaustecker, SMT, mit Gehäuse, schirmbar, Einbauhöhe 9mm**
Area **M12-A Series 713/763**
Article number **99 3441 401 05**

Installation instructions / Mounting cutout



Anzugsdrehmoment / *Tightening moment*
M12 x 1 6,25 Nm