



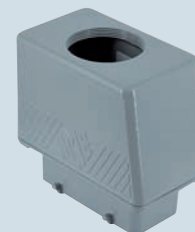
inserts:		page:
CD	40 poles + ⊕	57
CDD	72 poles + ⊕	70
CDS	27 poles + ⊕	80
CSH	16 poles + ⊕	93
CNE, CSE	16 poles + ⊕	106
CCE	16 poles + ⊕	112
CSS	16 poles + ⊕	124
CT, CTSE (16A)	16 poles + ⊕	132
CQE	32 poles + ⊕	140
CQEE	40 poles + ⊕	146
CMCE, CMSH 6+2 (aux)	poles + ⊕	150-151
CP	6 poles + ⊕	162
CX	6/36 and 12/2 poles + ⊕	170-171
CX	4/0 and 4/2 poles + ⊕	172
MIXO	4 modules	179-215

insert centre distance:
77,5 x 27 mm

hoods with 4 pegs

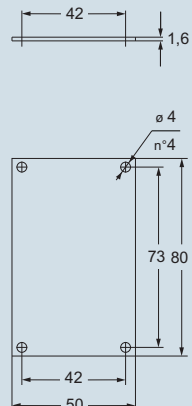


hoods with 4 pegs



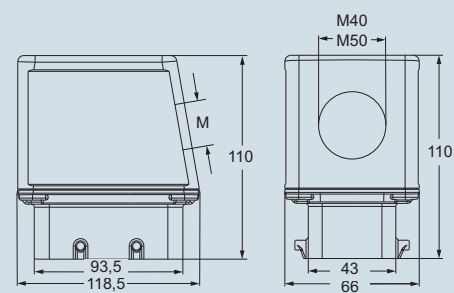
description	part No.	entry M	part No.	entry M
with pegs, side entry	MBO 16.40	40		
with pegs, side entry	MBO 16.50	50		
with pegs, top entry			MBV 16.40	40
with pegs, top entry			MBV 16.50	50

Dimensions of electronic boards for MBO enclosures side entry



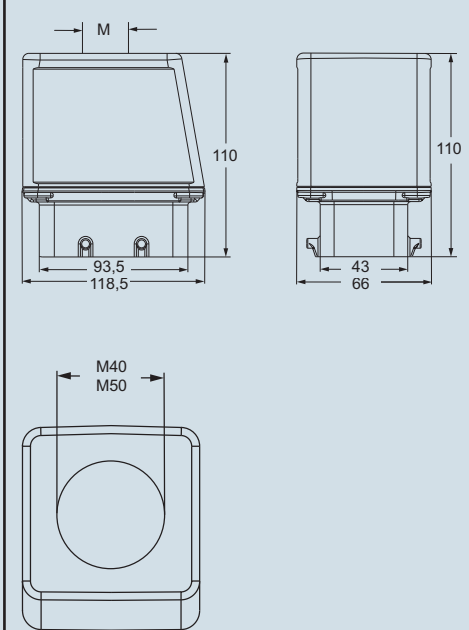
dimensions in mm

MBO 16



dimensions in mm

MBV 16



CAUS Type 4/4X/12



dimensions shown are not binding and may be changed without notice

BIG - size 77.27



inserts:	page:
CD 40 poles + ⊕	57
CDD 72 poles + ⊕	70
CDS 27 poles + ⊕	80
CSH 16 poles + ⊕	93
CNE, CSE 16 poles + ⊕	106
CCE 16 poles + ⊕	112
CSS 16 poles + ⊕	124
CT, CTSE (16A) 16 poles + ⊕	132
CQE 32 poles + ⊕	140
CQEE 40 poles + ⊕	146
CMCE, CMSH 6+2 (aux) poles + ⊕	150-151
CP 6 poles + ⊕	162
CX 6/36 and 12/2 poles + ⊕	170-171
CX 4/0 and 4/2 poles + ⊕	172
MIXO 4 modules	179-215

insert centre distance:
77,5 x 27 mm

hoods with 4 pegs



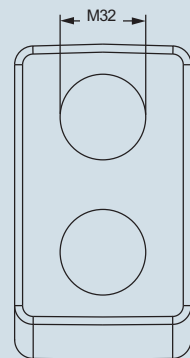
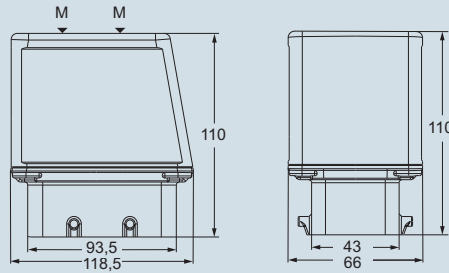
hoods with 4 pegs



description	part No.	entry M	part No.	entry M
with pegs, top entry	MBV 16.232	32 x 2	MBV 16.325	25 x 3

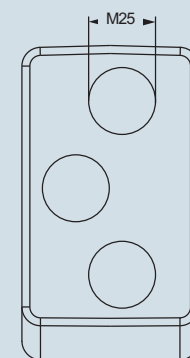
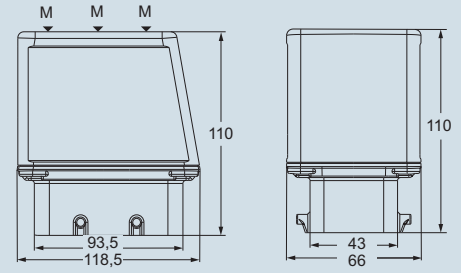
dimensions in mm

MBV 16.232



dimensions in mm

MBV 16.325



Housings page 276

CAVUS Type 4/4X/12



dimensions shown are not binding and may be changed without notice

inserts:		page:
CD	40 poles + ⊕	57
CDD	72 poles + ⊕	70
CDS	27 poles + ⊕	80
CSH	16 poles + ⊕	93
CNE, CSE	16 poles + ⊕	106
CCE	16 poles + ⊕	112
CSS	16 poles + ⊕	124
CT, CTSE (16A)	16 poles + ⊕	132
CQE	32 poles + ⊕	140
CQEE	40 poles + ⊕	146
CMCE, CMSH 6+2 (aux)	poles + ⊕	150-151
CP	6 poles + ⊕	162
CX	6/36 and 12/2 poles + ⊕	170-171
CX	4/0 and 4/2 poles + ⊕	172
MIXO	4 modules	179-215

insert centre distance:
77,5 x 27 mm

hoods with 4 pegs



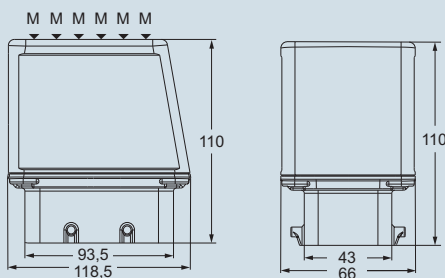
hoods with 4 pegs



description	part No.	entry M	part No.	entry M
with pegs, top entry	MBV 16.620	20 x 6	MBO 16.225	25 x 2
with pegs, side entry				

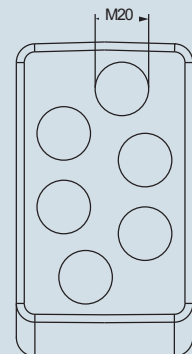
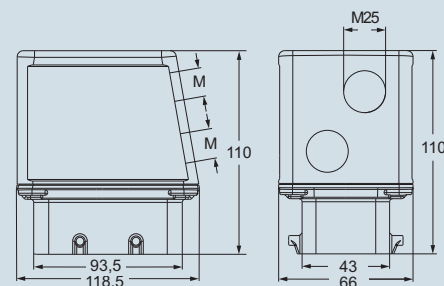
dimensions in mm

MBV 16.620



dimensions in mm

MBO 16.225



CAUS® Type 4/4X/12



dimensions shown are not binding and may be changed without notice

BIG - size 77.27

inserts:		page:
CD	40 poles + ⊕	57
CDD	72 poles + ⊕	70
CDS	27 poles + ⊕	80
CSH	16 poles + ⊕	93
CNE, CSE	16 poles + ⊕	106
CCE	16 poles + ⊕	112
CSS	16 poles + ⊕	124
CT, CTSE (16A)	16 poles + ⊕	132
CQE	32 poles + ⊕	140
CQEE	40 poles + ⊕	146
CMCE, CMSH 6+2 (aux)	poles + ⊕	150-151
CP	6 poles + ⊕	162
CX	6/36 and 12/2 poles + ⊕	170-171
CX	4/0 and 4/2 poles + ⊕	172
MIXO	4 modules	179-215

insert centre distance:
77,5 x 27 mm

hoods with 4 pegs



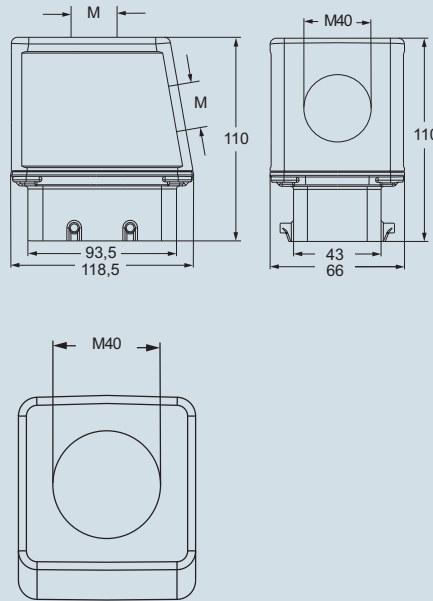
hoods with 4 pegs



description	part No.	entry M	part No.
with pegs, side and top entries	MBVO 16.240	40 x 2	
with pegs, without entries, designed to be drilled			CBC 16

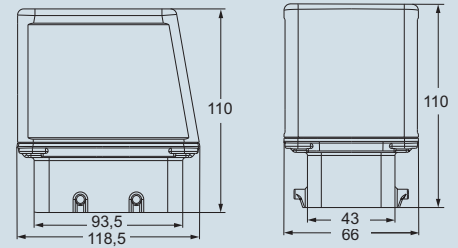
dimensions in mm

MBVO 16.240



dimensions in mm

CBC 16



CAUS® Type 4/4X/12



dimensions shown are not binding and may be changed without notice

BIG - size 77.27