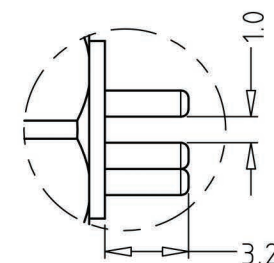
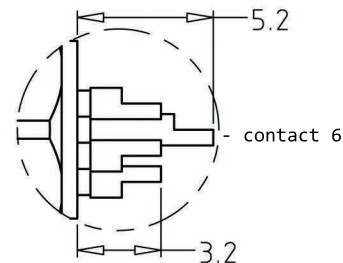
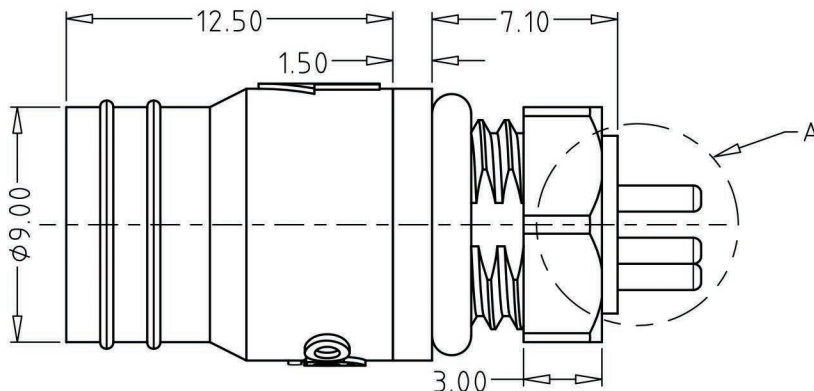
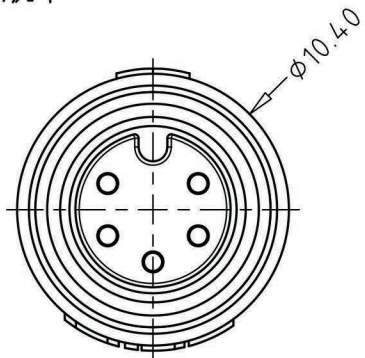


版本: X2

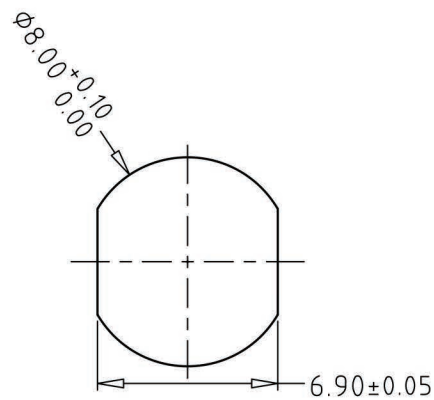
7	8	9	10
ECN. NO.	REV.	DATE	DESCRIPTION
	X1	08/13/2015	初版发行
	X2	09/02/2015	ADD SOLDER WIRES TYPE
			CHANGE APPD.
			Gary zhou



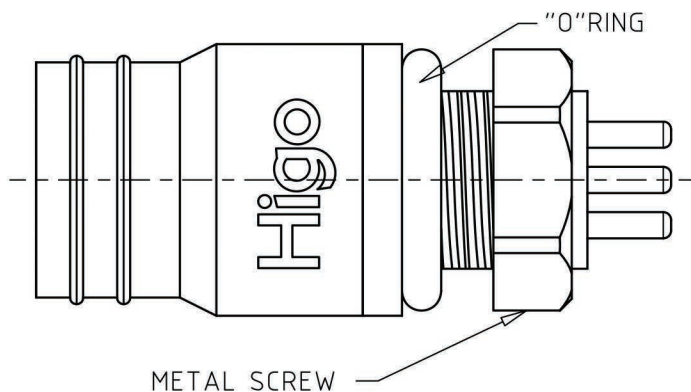
VIEW:A(SOLDER WIRES)

VIEW:A(DIP)

SOLDER TYPE DIFFERENT(DIP/SOLDER WIRES),
CONTACT AND P/N DIFFERENT



RECOMMENDED PANEL CUT OUT



METAL SCREW

1.Electrical Characteristics:

- 1.1:Low level contact resistance:10milliohm Max.
- 1.2:Directric withstanding voltage:500VAC.
- 1.3:Insulation resistance:20megaohm Min.

2.Mechanical Characteristics:

- 2.1:Durability:200cycle.

3.Performance:

- 3.1:Voltage rating:48V AC,60V DC.
- 3.2:Current rating:
2Amps (φ0.6pin and socket).
- 3.3:Operation temperature:-25°C~+80°C.

4.Requirement:

- 4.1:Enviromental pratection,accord ROHS 2.0.

5.Applicable wire:

φ0.6 Contact:0.2mm² MAX.

6.Degree of protection:

IP66 in mated condition

PART NO.(SOLDER WIRES)	Z209BMC02000000	Z309BMC02000000	Z409BMC02000000	Z509BMC02000000	Z609BM02000000
PART NO.(DIP)	Z209BMC04000000	Z309BMC04000000	Z409BMC04000000	Z509BMC04000000	Z609BM04000000
HOLE STATION VIEW					
COLOUR	RED	YELLOW	BLUE	GREEN	PURPLE

MAT'L: 见技术要求栏		Higo 上海海固电器设备有限公司 Shang hai Higo Electronic Technology Co., Ltd.	
UNITS: mm		TITLE: MINI B TYPE FEMALE PANEL MOUNT CONNECTOR	PART NO.: SEE TABLE
X±: 5	X°±: 5°	APPD:	DWG NO:
.X±: 0.30	.X°±: 2°	CHED:	
.XX±:0.15	.XX°±:1°	DRAW: Gary zhou 08/13/2015	SCALE SHEET REV. N/A 1/1