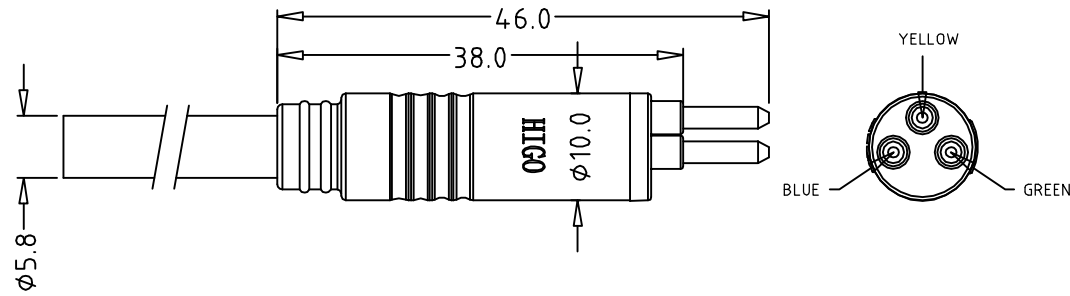
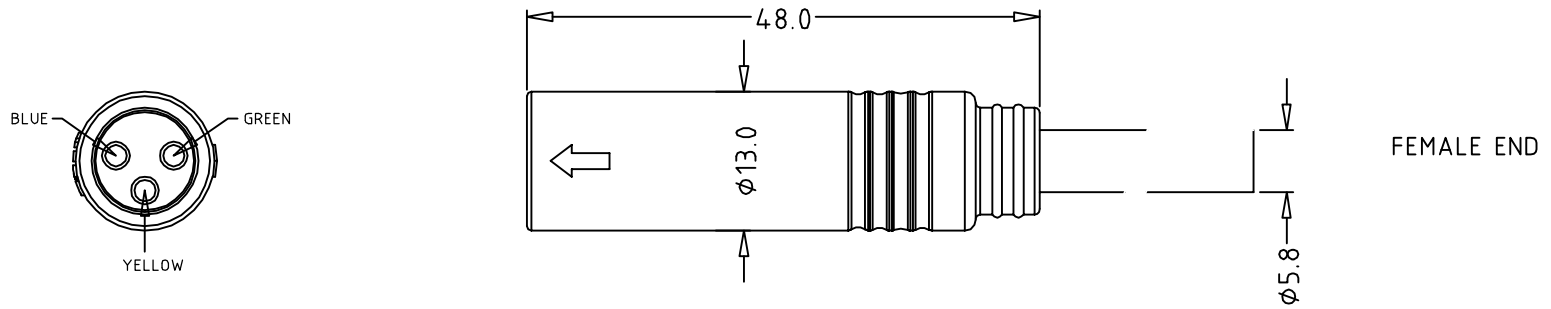


版本: X1

7	8	9	10
ECN. NO.	REV.	DATE	DESCRIPTION
	X1	06/19'2014	初版发行
			CHANGE
			APPD.



MALE END



FEMALE END

HG-F-Z310B

3×1.2mm²

3×1.5mm²

3×2.0mm²

MAT'L: N/A		Higo 上海海固电器设备有限公司 Shang hai Higo Electronic Technology Co., Ltd.							
UNITS: mm		TITLE: 3芯公/母端	PART NO.:						
X±: 8	X°±: 5°	APPD:	DWG NO.:						
.X±: 1	.X°±: 2°	CHEG:							
.XX±: 0.05	.XX°±: 1°	DRAW: Changshun 06/19'2014	<table border="1"> <tr> <td>SCALE</td> <td>SHEET</td> <td>REV.</td> </tr> <tr> <td>N/A</td> <td>1/1</td> <td></td> </tr> </table>	SCALE	SHEET	REV.	N/A	1/1	
SCALE	SHEET	REV.							
N/A	1/1								