



inserts:	page:
CD 40 poles + ⊕	57
CT, CTS (10A) *) ... 40 poles + ⊕	64
CDD 72 poles + ⊕	70
CDS 27 poles + ⊕	80
CSH 16 poles + ⊕	93
CNE, CSE 16 poles + ⊕	106
CCE 16 poles + ⊕	112
CSS 16 poles + ⊕	124
CT, CTSE (16A) *) .. 16 poles + ⊕	132
CQE 32 poles + ⊕	140
CQEE 40 poles + ⊕	146
CMCE, CMSH 6+2 (aux) poles + ⊕	150-151
CP 6 poles + ⊕	162
CX 6/36 and 12/2 poles + ⊕	170-171
CX 4/0 and 4/2 poles + ⊕	172
MIXO 4 modules	179-215

*) can be used only in bulkhead mounting housings

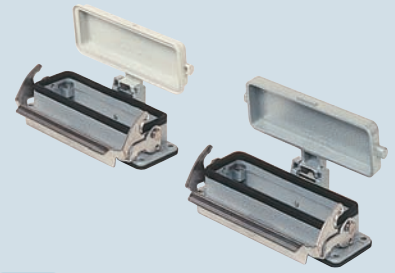
insert centre distance: 77,5 x 27 mm

bulkhead mounting housings with single lever



lever in stainless steel

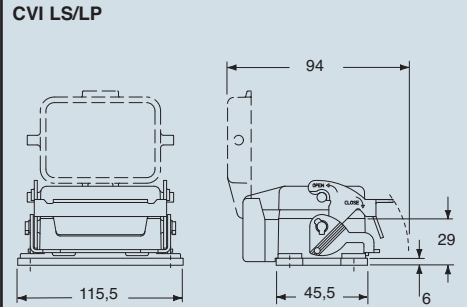
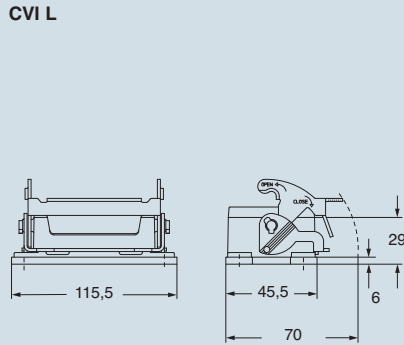
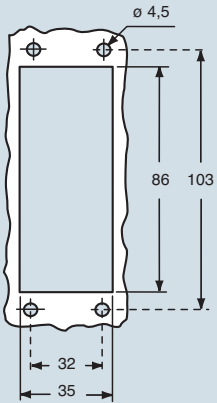
bulkhead mounting housings with single lever



lever in stainless steel

description	part No.	part No.
with lever, size "77.27"	CVI 16 L	
with lever and cover in aluminium, size "77.27"		CVI 16 LS
with lever and cover in plastic, size "77.27"		CVI 16 LP

panel cut-out for bulkhead mounting housings in mm	dimensions in mm	dimensions in mm
--	------------------	------------------



NB:
The enclosures ensure IP66 protection (or IP65 cover versions) rating when mated and locked with the closing levers.



CAVUS® Type 4/4X/12
(except enclosures with plastic cover)



dimensions shown are not binding and may be changed without notice

V-TYPE - size 77.27



inserts:		page:
CD	40 poles + ⊕	57
CDD	72 poles + ⊕	70
CDS	27 poles + ⊕	80
CSH	16 poles + ⊕	93
CNE, CSE	16 poles + ⊕	106
CCE	16 poles + ⊕	112
CSS	16 poles + ⊕	124
CQE	32 poles + ⊕	140
CQEE	40 poles + ⊕	146
CMCE	6+2 (aux) poles + ⊕	150
CMSH	6+2 (aux) poles + ⊕	151
CP	6 poles + ⊕	162
CX	6/36 and 12/2 poles + ⊕	170-171
CX	4/0 and 4/2 poles + ⊕	172
MIXO	4 modules	179-215

insert centre distance:
77,5 x 27 mm

surface mounting housings
with single lever

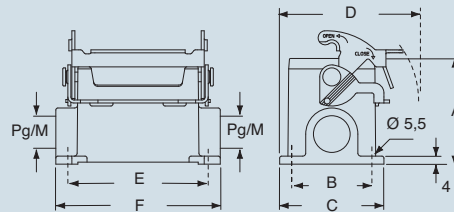


lever in
stainless
steel

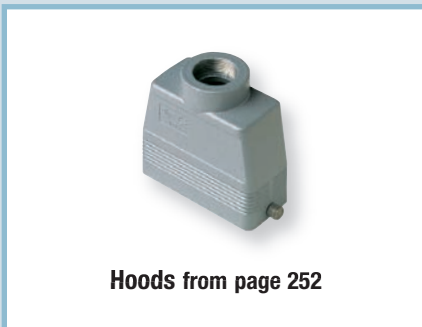
description	part No.	entry	part No.	entry
		Pg		M
with lever, size "77.27"	CVP 16 L	21	MVP 16 L25	25
with lever, size "77.27"	CVP 16 L2	21 x 2	MVP 16 L225	25 x 2
with lever, high construction, size "77.27"	CVAP 16 L21	21	MVAP 16 L32	32
with lever, high construction, size "77.27"	CVAP 16 L221	21 x 2	MVAP 16 L232	32 x 2
with lever, high construction, size "77.27"	CVAP 16 L29	29	MVAP 16 L40	40
with lever, high construction, size "77.27"	CVAP 16 L229	29 x 2	MVAP 16 L240	40 x 2

dimensions in mm

CVP L - CVAP L and MVP L - MVAP L



type	A	B	C	D	E	F
CVP/MVP 16 L	63	45	57	75.5	105	117
CVAP/MVAP 16 L	77	45	57	75.5	105	117



CRUS® Type
4/4X/12



dimensions shown are not binding
and may be changed without notice

V-TYPE - size 77.27



inserts:	page:
CD 40 poles + ⊕	57
CDD 72 poles + ⊕	70
CDS 27 poles + ⊕	80
CSH 16 poles + ⊕	93
CNE, CSE 16 poles + ⊕	106
CCE 16 poles + ⊕	112
CSS 16 poles + ⊕	124
CQE 32 poles + ⊕	140
CQEE 40 poles + ⊕	146
CMCE 6+2 (aux) poles + ⊕	150
CMSH 6+2 (aux) poles + ⊕	151
CP 6 poles + ⊕	162
CX 6/36 and 12/2 poles + ⊕	170-171
CX 4/0 and 4/2 poles + ⊕	172
MIXO 4 modules	179-215

insert centre distance:
77,5 x 27 mm

surface mounting housings with single lever and plastic cover



lever in stainless steel

surface mounting housings with single lever and aluminium cover



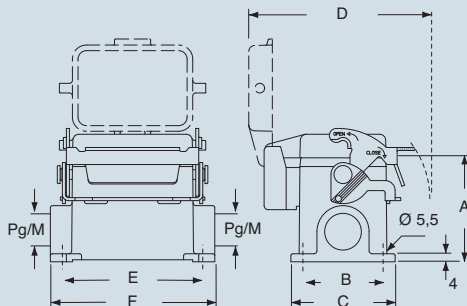
lever in stainless steel

description	part No.		part No.		part No.		part No.	
	entry Pg	entry M	entry Pg	entry M	entry Pg	entry M	entry Pg	entry M
with lever and cover, size "77.27"	CVP 16 LP	21	MVP 16 LP25	25	CVP 16 LS	21	MVP 16 LS25	25
with lever and cover, size "77.27"	CVP 16 LP2	21 x 2	MVP 16 LP225	25 x 2	CVP 16 LS2	21 x 2	MVP 16 LS225	25 x 2
with lever and cover, high construction, size "77.27"	CVAP 16 LP21	21	MVAP 16 LP32	32	CVAP 16 LS	21	MVAP 16 LS32	32
with lever and cover, high construction, size "77.27"	CVAP 16LP221	21 x 2	MVAP 16LP232	32 x 2	CVAP 16 LS2	21 x 2	MVAP 16LS232	32 x 2
with lever and cover, high construction, size "77.27"	CVAP 16 LP29	29	MVAP 16 LP40	40	CVAP 16 LS29	29	MVAP 16 LS40	40
with lever and cover, high construction, size "77.27"	CVAP 16LP229	29 x 2	MVAP 16LP240	40 x 2	CVAP 16LS229	29 x 2	MVAP 16LS240	40 x 2

NB:
The enclosures ensure IP66 protection (or IP65 cover versions) rating when mated and locked with the closing levers.

dimensions in mm

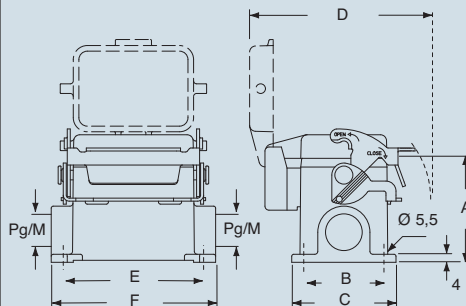
CVP LP - CVAP LP and MVP LP - MVAP LP



type	A	B	C	D	E	F
CVP/MVP 16 LP	63	45	57	94	105	117
CVAP/MVAP 16 LP	77	45	57	94	105	117

dimensions in mm

CVP LS - CVAP LS and MVP LS - MVAP LS



type	A	B	C	D	E	F
CVP/MVP 16 LS	63	45	57	94	105	117
CVAP/MVAP 16 LS	77	45	57	94	105	117



CALUS® Type 4/4X/12
(except enclosures with plastic cover)



dimensions shown are not binding and may be changed without notice



inserts:		page:
CD	40 poles + ⊕	57
CDD	72 poles + ⊕	70
CDS	27 poles + ⊕	80
CSH	16 poles + ⊕	93
CNE, CSE	16 poles + ⊕	106
CCE	16 poles + ⊕	112
CSS	16 poles + ⊕	124
CQE	32 poles + ⊕	140
CQEE	40 poles + ⊕	146
CMCE	6+2 (aux) poles + ⊕	150
CMSH	6+2 (aux) poles + ⊕	151
CP	6 poles + ⊕	162
CX	6/36 and 12/2 poles + ⊕	170-171
CX	4/0 and 4/2 poles + ⊕	172
MIXO	4 modules	179-215

insert centre distance:
77,5 x 27 mm

hoods top entry
with gasket and 1 lever



lever in stainless steel

hoods, top entry,
with gasket and 2 levers

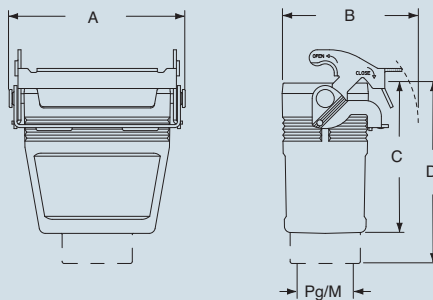


lever in stainless steel

description	part No.		entry Pg		part No.		entry M	
with lever/s, size "77.27"	CVV 16 LG	21	MVV 16 LG32	32	CVV 16 G	21	MVV 16 G32	32
with lever/s, high construction, size "77.27"	CVAV 16 LG21	21	MVAV 16 LG25	25	CVAV 16 G21	21	MVAV 16 G25	25
with lever/s, high construction, size "77.27"	CVAV 16 LG29	29	MVAV 16 LG32	32	CVAV 16 G29	29	MVAV 16 G32	32
with lever/s, high construction, without adapter, size "77.27"	CVFV 16 LG21	21	MVFV 16 LG25	25	CVFV 16 G21	21	MVFV 16 G25	25
with lever/s, high construction, without adapter, size "77.27"	CVFV 16 LG29	29	MVFV 16 LG32	32	CVFV 16 G29	29	MVFV 16 G32	32

dimensions in mm

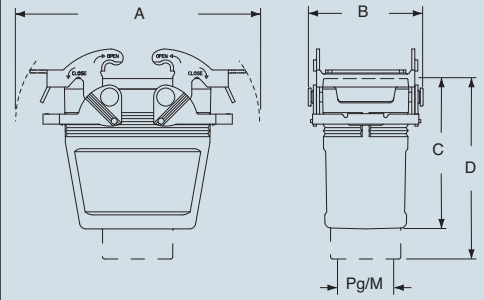
CVV LG - CVAV LG - CVFV LG and
MVV LG - MVAV LG - MVFV LG



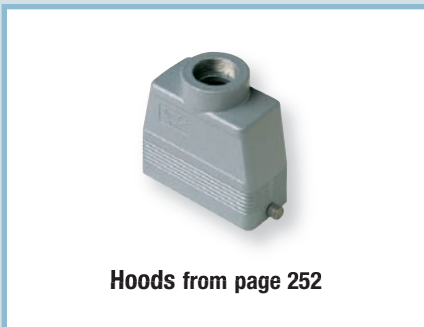
type	A	B	C	D
CVV/MVV 16 LG	107.5	68	50.5	63.5
CVAV/MVAV 16 LG	107.5	68	81	97
CVFV/MVFV 16 LG	107.5	68	81	—

dimensions in mm

CVV G - CVAV G - CVFV G and
MVV G - MVAV G - MVFV G



type	A	B	C	D
CVV/MVV 16 G	142.5	57	50.5	63.5
CVAV/MVAV 16 G	142.5	57	81	97
CVFV/MVFV 16 G	142.5	57	81	—



Type
CRAUS 4/4X/12



dimensions shown are not binding
and may be changed without notice

V-TYPE - size 77.27