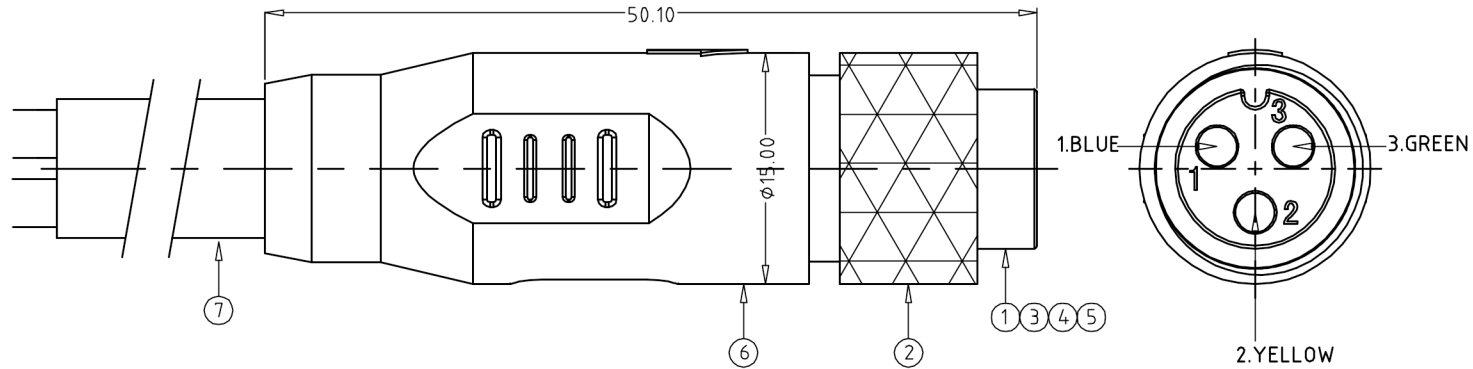


REV.:X1

ECN. NO.	REV.	DATE	DESCRIPTION	CHANGE	APPD.
	X1	07/05'2016	INITIAL RELEASE	/	



1.Electrial Characteristics:

- 1.1:Low level contact resistance:10milliohm Max.
- 1.2:Dielectric withstanding voltage:700VAC.
- 1.3:Insulation resistance:20megaohm Min.

2.Mechanical Characteristics:

- 2.1:Mating cycle:200cycle.

3.Performance:

- 3.1:Voltage rating:48V AC,60V DC.
- 3.2:Current rating:45Amps
- 3.3:Operation temperature:-25°C~+80°C.

4.Requirement:

- 4.1:Environmental pratection,accord ROHS 2.0.

5.Applicable wire:

- φ2.5 Contact:4.0mm² MAX.

6.Degree of protection:

- IP67 in locked condition

Order code: L315AM P 01 B8 1000

D	7	3 POLE CABLE,φ9.0,3×4.0mm ² ,TINNED COPPER,TEFLON INSULATION(200℃),PVC JACKET(105℃),BLACK COLOR	1PCS
	6	L315 CONNECTOR JACKET PVC(105℃),SHORE HARDNESS 95A UL94V-0, BLACK COLOR	1PCS
	5	"O" ring,φ7×1.5,SILICON RUBBER,RED COLOR	1PCS
E	4	BRACKET,PBT+30% GF(120℃) UL94V-0, BLACK COLOR	1PCS
	3	INSULATOR,PBT+30% GF(120℃) UL94V-0, BLACK COLOR	1PCS
	2	NUT,M14×1.0,BRASS (GB HPB-59-1) ,FULL NICKEL PLATED 200u"MIN	1PCS
F	1	CONTACT SOCKET, φ2.50,PHOSPHOR BRONZE (GB QSN6.5-0.1) ,4u" MIN GOLD PLATING OVER ALL 50~100u"NICKEL UNDER PLATING OVER ALL	3PCS
	item no.	Specification	QTY

MAT'L:	/			上海海固电器设备有限公司 Shanghai Higo Electronic Technology Co., Ltd.							
UNITS:	mm	TITLE:	L315 FEMALE	PART NO.:	F03FTA37-L150						
X.±:	5	X°.±:	5°	APPD:							
.X.±:	1	.X°.±:	2°	CHED:							
.XX.±:	0.30	.XX°.±:	1°	DRAW:	Gary zhou 07/05'2016						
					<table border="1"> <tr> <th>SCALE</th> <th>SHEET</th> <th>REV.</th> </tr> <tr> <td>N/A</td> <td>1/1</td> <td></td> </tr> </table>	SCALE	SHEET	REV.	N/A	1/1	
SCALE	SHEET	REV.									
N/A	1/1										