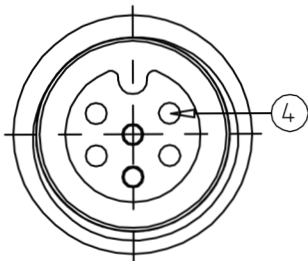
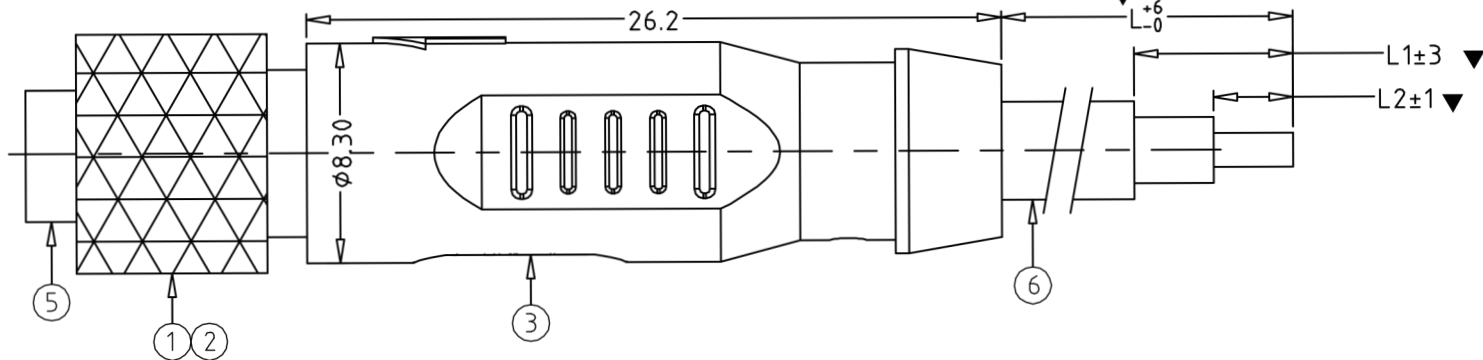


7	8	9	10
ECN. NO.	REV.	DATE	DESCRIPTION
	X1	06/18/2014	初版发行
			CHANGE
			APPD.
			/



线位图见附表1



附表1

Pole No.	2pole	3pole	4pole	5pole	6pole
p/n	L209CMP00A0XXX	L309CMP00A1XXX	L409CMP00A2XXX	L509CMP00A3XXX	L609CMP00A4XXX
wire program					
housing color	red	yellow	blue	green	purple
Cable Specifications	2wires $\phi 3.7, 2 \times 0.2$, Tinner cooper, PVC insulations, PVC Jacket (black, blue)	3wires $\phi 3.7, 3 \times 0.2$, Tinner cooper, PVC insulations, PVC Jacket (black, red, blue)	4wires $\phi 3.7, 4 \times 0.14$, Tinner cooper, PVC Insulations, PVC Jacket (black, red, blue, yellow)	5wires $\phi 3.7, 5 \times 0.14$, Tinner cooper, PVC Insulations, PVC Jacket (orange, white, brown, green, black)	6wires $\phi 3.7, 6 \times 0.14$, Tinner cooper, PVC Insulations, PVC Jacket (orange, white, brown, green, black, purple)

MAT'L: N/A	Higo 上海海固电器设备有限公司 Shang hai Higo Electronic Technology Co., Ltd.		
UNITS: mm	TITLE: MINI C 款母端	PART NO.: 见附表1	
X \pm : 8	X $^\circ$ \pm : 5 $^\circ$	APPD:	DWG NO.: E-F0 \times FTA18-00
.X \pm : 0.5	.X $^\circ$ \pm : 2 $^\circ$	CHEd:	SCALE SHEET REV.
.XX \pm : 0.10	.XX $^\circ$ \pm : 1 $^\circ$	DRAW: Gary zhou 06/18/2014	N/A 1/1