

# PMT Panel Mount Power Supply

## 12V 350W 1 Phase / PMT-12V350W1A□

# PMT

### Highlights & Features

- AC input voltage range selectable by switch
- Full corrosion resistant aluminium casing
- Built-in automatic fan speed control circuit
- MTBF > 700,000 hrs as per Telcordia SR-332
- Short Circuit / Overvoltage / Overload / Over Temperature Protections

### Safety Standards



CB Certified for worldwide use

**Model Number:** PMT-12V350W1A□  
**Unit Weight:** 0.82 kg (1.81 lb)  
**Dimensions (L x W x D):** 215 x 115 x 50 mm  
 (8.46 x 4.53 x 1.97 inch)



### General Description

The PMT-12V350W1A□ offers a nominal output voltage of 12V with a wide operating temperature range from -10°C to +70°C and can withstand shock and vibration according to IEC 60068-2. In addition to features like overvoltage and overload protections, Delta's PMT series of panel mount power supplies can meet the price demand of cost competitive markets without compromising the quality of the components and product specifications. The series of products has an expected life time of 10 years and will have no output power de-rating from 100Vac to 132Vac & 200Vac to 264Vac.

### Model Information

PMT Panel Mount Power Supply

Model Number	Input Voltage Range	Rated Output Voltage	Rated Output Current
PMT-12V350W1A□	90-132Vac, 180-264Vac (Selectable by Switch)	12Vdc	29.0A

### Model Numbering

PM	T –	12V	350W	1	A	□
Panel Mount	Product Type T – Enclosed	Output Voltage	350W series	Single Phase	No PFC	Connector Type R – Terminal Block K – Front Face*



R



K\*

\*Options

# PMT Panel Mount Power Supply

## 12V 350W 1 Phase / PMT-12V350W1A□

### Specifications

#### Input Ratings / Characteristics

Nominal Input Voltage	100-120Vac, 200-240Vac (Selectable by Switch)
Input Voltage Range	90-132Vac, 180-264Vac (Selectable by Switch)
Nominal Input Frequency	50-60Hz
Input Frequency Range	47-63Hz
Input Current	7.00A typ. @ 115Vac, 4.00A typ. @ 230Vac
Efficiency at 100% Load	84.0% typ. @ 230Vac
Max Inrush Current (Cold Start)	< 50A @ 115Vac, < 60A @ 230Vac
Leakage Current	< 3.5mA @ 240Vac

#### Output Ratings / Characteristics\*

Nominal Output Voltage	12Vdc
Factory Set Point Tolerance	12Vdc $\pm$ 1.5%
Output Voltage Adjustment Range	10.8-13.2Vdc
Output Current	29A (348W max.)
Output Power	348W
Line Regulation	$\pm$ 0.5% typ.
Load Regulation	$\pm$ 1% typ.
PARD** (20MHz)	< 150mVpp
Rise Time	< 50ms @ nominal input (100% load)
Start-up Time	< 1000ms @ nominal input (100% load)
Hold-up Time	12ms typ. @ 115Vac, 16ms typ. @ 230Vac (100% load)
Dynamic Response (Overshoot & Undershoot O/P Voltage)	$\pm$ 5%, 10-50% load and 50-100% load (Slew Rate: 0.1A/ $\mu$ S)
Start-up with Capacitive Loads	8,000 $\mu$ F Max

\*\*For power de-rating from 50°C to 70°C, see power de-rating on page 3.

\*\*PARD is measured with an AC coupling mode, 5cm wires, and in parallel with 0.1 $\mu$ F ceramic capacitor & 47 $\mu$ F electrolytic capacitor.

### Mechanical

Case Cover / Chassis	Aluminum / SGCC	
Dimensions (L x W x D)	215 x 115 x 50 mm (8.46 x 4.53 x 1.97 inch)	
Unit Weight	0.82 kg (1.81 lb)	
Indicator	Green LED (DC OK)	
Cooling System	Forced Cooling	
Terminal	PMT-12V350W1A□	M3.5 x 9 Pins (Rated 300V/20A)
	PMT-12V350W1AR	M3.5 x 9 Pins (Rated 300V/15A)
Wire	AWG 16-12	
Noise (1 Meter from power supply)	Sound Pressure Level (SPL) < 52dBA	

# PMT Panel Mount Power Supply

## 12V 350W 1 Phase / PMT-12V350W1A□

### Environment

Surrounding Air Temperature	Operating	-10°C to +70°C
	Storage	-25°C to +85°C
Power De-rating		> 50°C de-rate power by 2.5% / °C < 100Vac de-rate power by 3% / V < 200Vac de-rate power by 3% / V
Operating Humidity		5 to 95% RH (Non-Condensing)
Operating Altitude		0 to 5,000 Meters (16,400 ft.)
Shock Test	Non-Operating	IEC 60068-2-27, Half Sine: 50G for a duration of 11ms, 3 times per direction, 18 times in total
Vibration	Operating	IEC 60068-2-6, Sine Wave: 10Hz to 150Hz @ 25m/S <sup>2</sup> (2.5G peak); 90 min per axis for all X, Y, Z direction
	Non-Operating	IEC 60068-2-6, Random: 5Hz to 500Hz @ 2.09Grms peak; 20 min per axis for all X, Y, Z direction
Over Voltage Category		II
Pollution Degree		2

### Protections

Overvoltage	13.8-16.2V, SELV Output, Latch Mode
Overload / Overcurrent	105%-150% of rated load current, Hiccup Mode, Non-Latching (Auto-Recovery)
Over Temperature	Hiccup Mode, Non-Latching (Auto-Recovery when the fault is removed)
Short Circuit	Hiccup Mode, Non-Latching (Auto-Recovery when the fault is removed)
Internal Fuse at L pin	T10AH
Protection Against Shock	Class I with PE* connection

\*PE: Primary Earth

### Reliability Data

MTBF	> 700,000 hrs as per Telcordia SR-332 I/P: 100Vac, O/P: 100% load, Ta: 35°C
Expected Cap Life Time	10 years (115Vac , 50% load @ 40°C)

# PMT Panel Mount Power Supply

## 12V 350W 1 Phase / PMT-12V350W1A□

### Safety Standards / Directives

Safety Entry Low Voltage		SELV (EN 60950-1)
Electrical Safety	TUV Bauart UL/cUL recognized CB scheme	EN 60950-1 UL 60950-1 and CSA C22.2 No. 60950-1 (File No. E131881) IEC 60950-1
CE		In conformance with EMC Directive 2014/30/EU and Low Voltage Directive 2014/35/EU
Material and Parts		RoHS Directive 2011/65/EU Compliant
Galvanic Isolation	Input to Output	3.0KVac
	Input to Ground	1.5KVac
	Output to Ground	0.5KVac

### EMC

Emissions (CE & RE)		CISPR 32, EN 55032, EN 55011, FCC Title 47: Class B
Immunity		EN 55024
Electrostatic Discharge	IEC 61000-4-2	Level 4 Criteria A <sup>1)</sup> Air Discharge: 15kV Contact Discharge: 8kV
Radiated Field	IEC 61000-4-3	Level 3 Criteria A <sup>1)</sup> 80MHz-1GHz, 10V/M with 1kHz tone / 80% modulation
Electrical Fast Transient / Burst	IEC 61000-4-4	Level 3 Criteria A <sup>1)</sup> 2kV
Surge	IEC 61000-4-5	Level 3 Criteria A <sup>1)</sup> Common Mode <sup>2)</sup> : 2kV Differential Mode <sup>3)</sup> : 1kV
Conducted	IEC 61000-4-6	Level 3 Criteria A <sup>1)</sup> 150kHz-80MHz, 10Vrms
Power Frequency Magnetic Fields	IEC 61000-4-8	Criteria A <sup>1)</sup> 10A/Meter
Voltage Dips and Interruptions	IEC 61000-4-11	100% dip; 1 cycle (20ms); Self Recoverable
Low Energy Pulse Test (Ring Wave)	IEC 61000-4-12	Level 3 Criteria A <sup>1)</sup> Common Mode <sup>2)</sup> : 2kV Differential Mode <sup>3)</sup> : 1kV
Harmonic Current Emission		NA
Voltage Fluctuation and Flicker*		IEC/EN 61000-3-3

\*Fulfills tested conditions

1) Criteria A: Normal performance within the specification limits

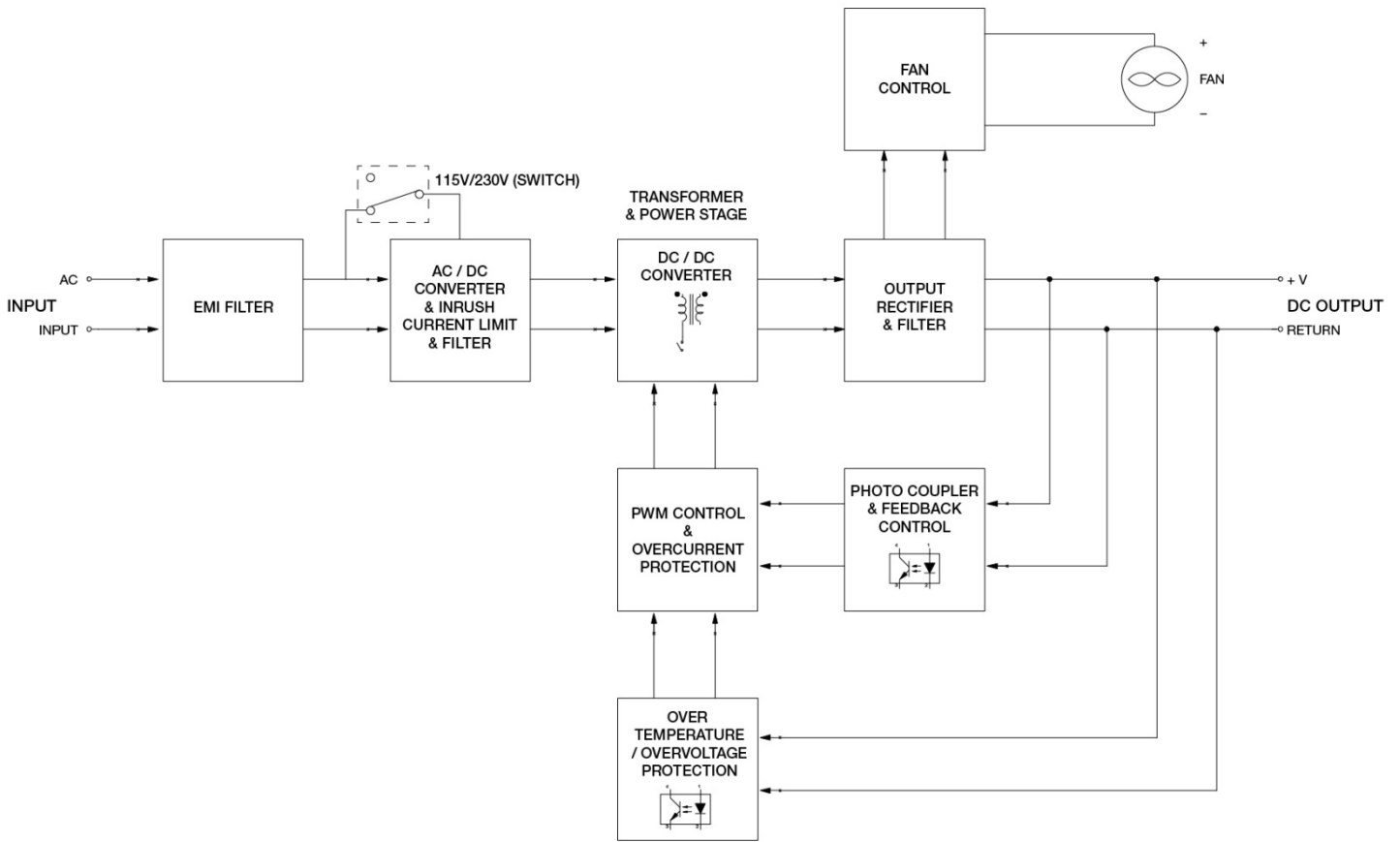
2) Asymmetrical: Common mode (Line to earth)

3) Symmetrical: Differential mode (Line to line)

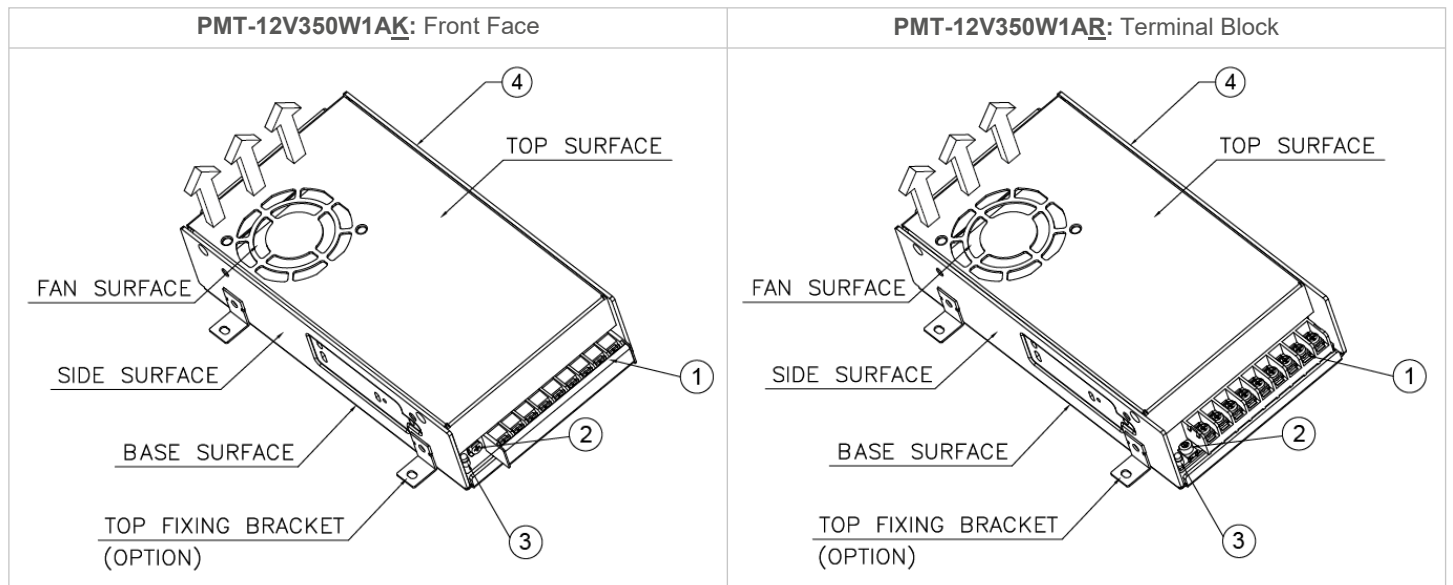
# PMT Panel Mount Power Supply

## 12V 350W 1 Phase / PMT-12V350W1A□

### Block Diagram



### Device Description



- 1) Input & Output terminal block connector
- 2) DC voltage adjustment potentiometer
- 3) DC OK control LED (Green)
- 4) AC selectable switch

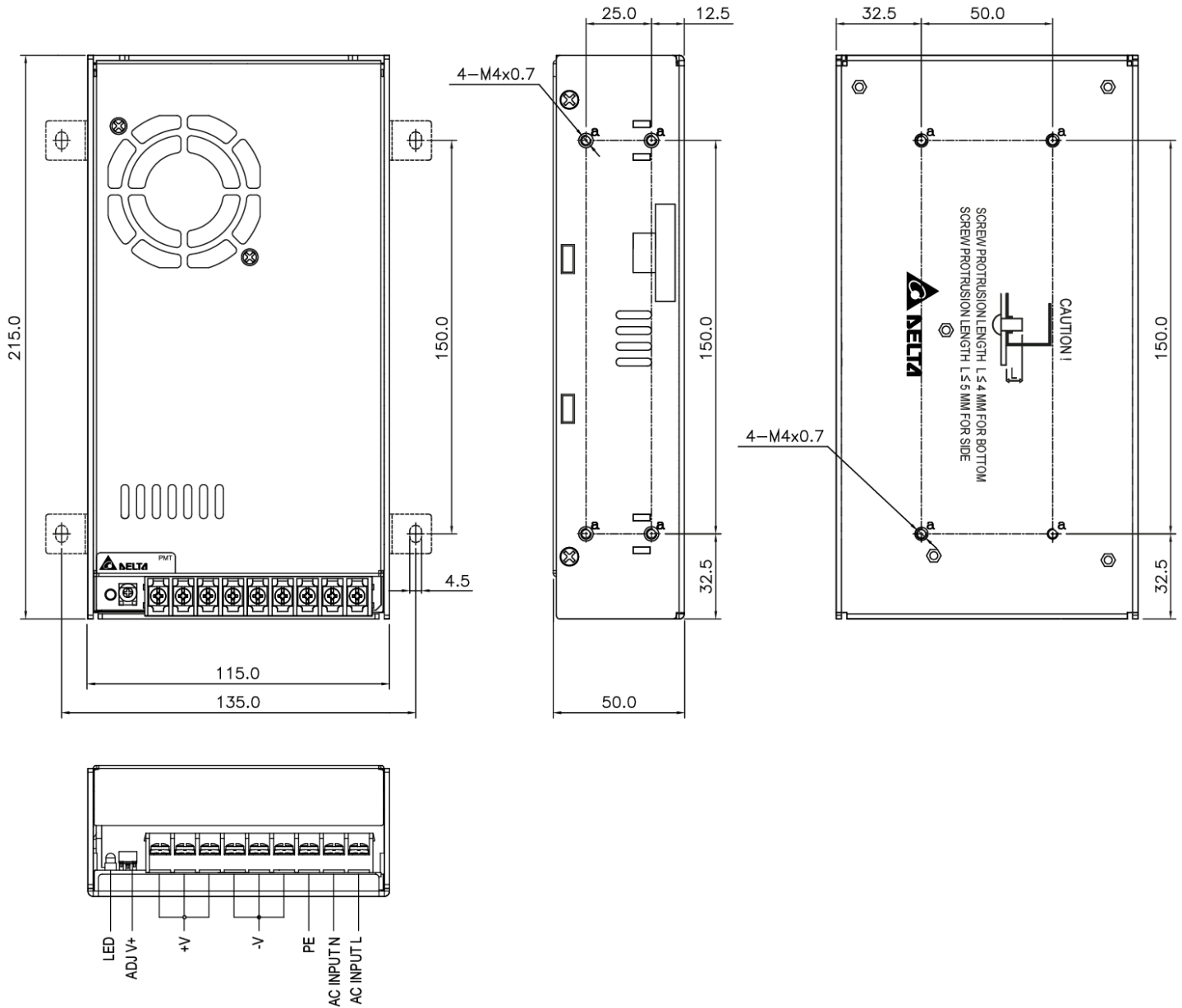
# PMT Panel Mount Power Supply

## 12V 350W 1 Phase / PMT-12V350W1A

### Dimensions

PMT-12V350W1AR: Terminal Block

L x W x D: 215 x 115 x 50 mm (8.46 x 4.53 x 1.97 inch)

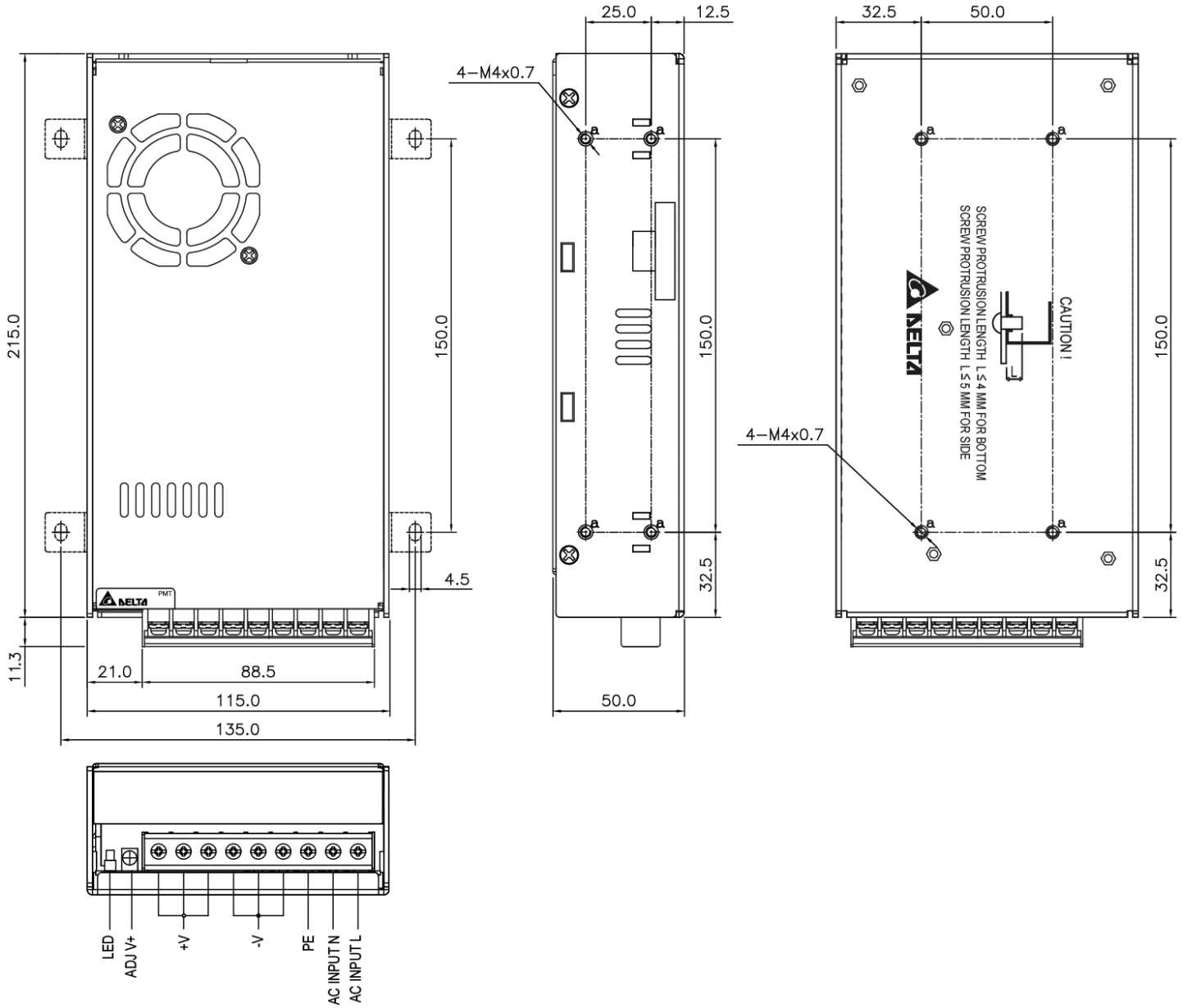


# PMT Panel Mount Power Supply

12V 350W 1 Phase / PMT-12V350W1A□

PMT-12V350W1A□: Front Face

L x W x D: 215 x 115 x 50 mm (8.46 x 4.53 x 1.97 inch)

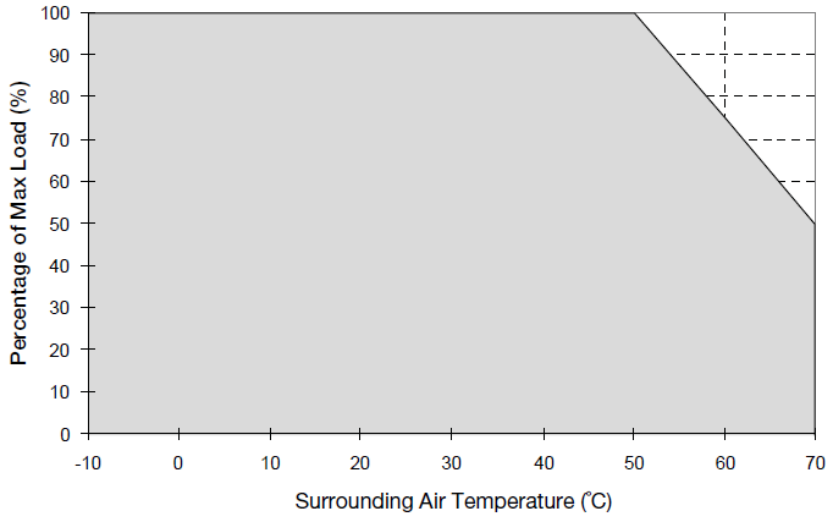


# PMT Panel Mount Power Supply

## 12V 350W 1 Phase / PMT-12V350W1A □

### Engineering Data

#### Output Load De-rating VS Surrounding Air Temperature

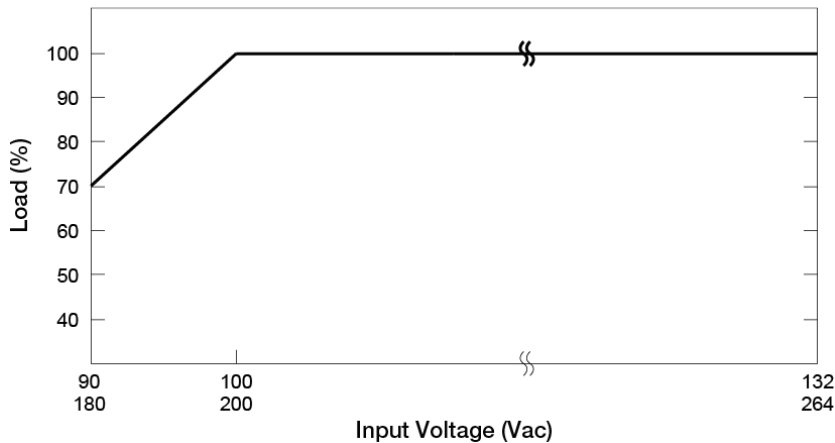


**Fig. 1 De-rating for Vertical and Horizontal Mounting Orientation**  
 > 50°C de-rate power by 2.5% / °C

#### Note

1. Power supply components may degrade, or be damaged, when the power supply is continuously used outside the shaded region, refer to the graph shown in Fig. 1.
2. If the output capacity is not reduced when the surrounding air temperature exceeds its specification as defined on Page 3 under "Environment", the device will run into Over Temperature Protection. When activated, the output voltage will go into bouncing mode and will recover when the surrounding air temperature is lowered or the load is reduced as far as necessary to keep the device in working condition.
3. In order for the device to function in the manner intended, it is also necessary to keep a safety distance of  $\geq 20\text{mm}$  (0.79 inch) with adjacent units while the device is in operation.
4. Depending on the surrounding air temperature and output load delivered by the power supply, the device housing can be very hot!
5. If the device has to be mounted in any other orientation, please contact [info@deltapsu.com](mailto:info@deltapsu.com) for more details.

#### Output Load De-rating VS Input Voltage



- No output power de-rating for the input voltage from 100Vac to 132Vac & 200Vac to 264Vac

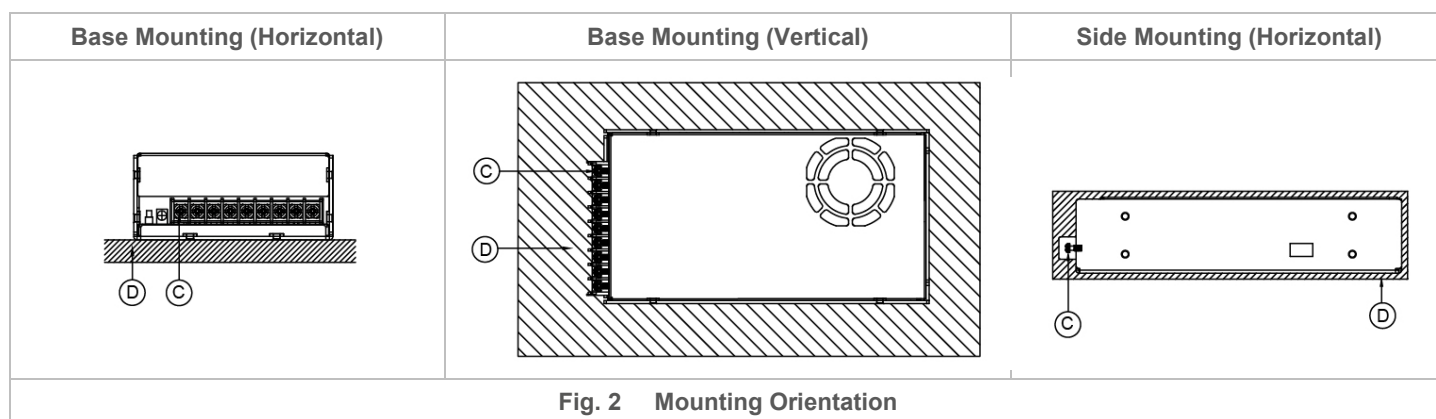


# PMT Panel Mount Power Supply

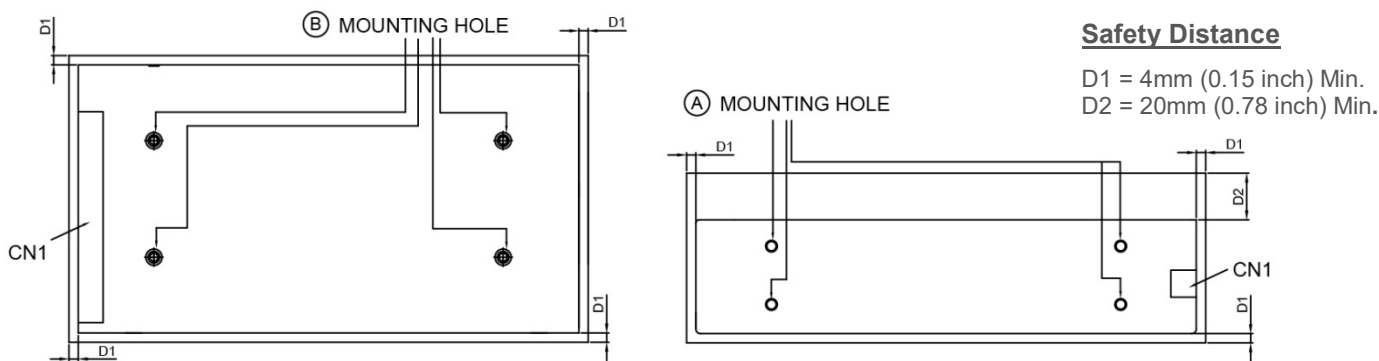
## 12V 350W 1 Phase / PMT-12V350W1A□

### Assembly & Installation

- Ⓐ Side Mounting: Fig. 2 and Fig. 3 show the mounting hole locations for power supply assembly onto a metal mounting surface. The power supply shall be mounted on minimum of 4 mounting holes using M4 screw maximum 5mm (0.19 inch) length (Refer to Fig. 4). This is to maintain a safety distance between the screw and internal components.
- Ⓑ Base Mounting: Fig. 2 and Fig. 3 show the mounting hole locations for power supply assembly onto a metal mounting surface. The power supply shall be mounted on minimum of 4 mounting holes using M4 screw maximum 4mm (0.15 inch) length (Refer to Fig. 4).
- Ⓒ Connector
- Ⓓ This surface belongs to customer's end system or panel where the power supply is mounted.

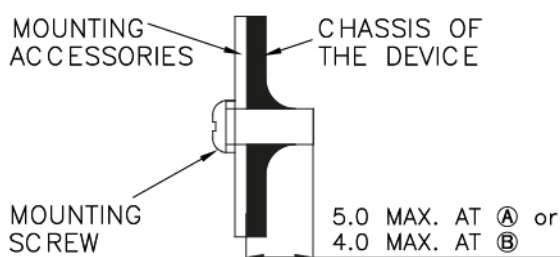


- Use flexible cable (stranded or solid) of AWG No. 20-12. The input/output connectors' allowable current is 23A max per pin. User should calculate and select the suitable wire specification (type/quantity/diameter) according to actual output current. The torque at the connector shall not exceed 13Kgf.cm (11.28 lb.in). The insulation stripping length should not exceed 0.275" or 7mm.
- Recommended mounting torque of the product and its mounting accessories is 9~12Kgf.cm (7.81~10.41 lbf.in).



**Fig. 3 Mounting Hole Locations and the Safety Distance**

Ensure the mounted device is kept at  $\geq 4\text{mm}$  (0.15 inch) safety distance at all sides from other components and equipment. In addition, to ensure sufficient convection cooling, always maintain a distance of  $\geq 20\text{mm}$  (0.79 inch) from fan ventilated surfaces while the device is in operation. Please insert an insulation sheet between the system and product, if the safety distance is  $< 4\text{mm}$  (0.15 inch).



- Only use M4 screw  $\leq 5\text{mm}$  (0.19 inch) through the base mounting holes at Ⓐ. This is to keep a safe distance between the screw and internal components.
- Only use M4 screw  $\leq 4\text{mm}$  (0.15 inch) through the base mounting holes at Ⓑ. This is to keep a safe distance between the screw and internal components.

**Fig. 4 Assembly Reference**

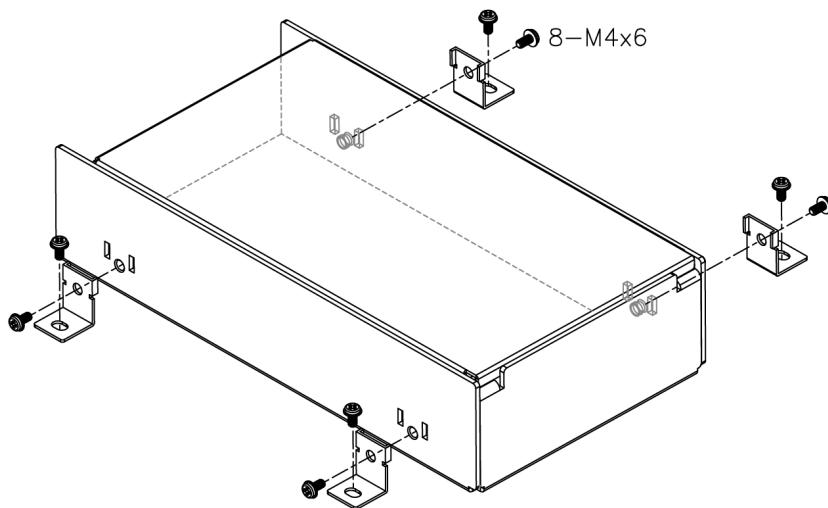
# PMT Panel Mount Power Supply

## 12V 350W 1 Phase / PMT-12V350W1A□

### Safety Instructions

- Must select correct AC input voltage before turning on (Refer to the "Device Description" on Page 5).
- If user's mounting orientation is not according to the recommended mounting orientations, please consult Delta for further information.
- The device is not recommended to be placed on low thermal conductive surface. For example, plastics.
- The enclosure of the device can become very hot depending on the ambient temperature and load of the power supply. Do not touch the device while it is in operation or immediately after power is turned OFF. Risk of burning!
- Do not touch the terminals while power is being supplied. Risk of electric shock.
- Prevent any foreign metal, particles or conductors from entering the device through the openings during installation. It may cause electric shock, safety hazard, fire and/or product failure.
- Warning: When connecting the device, secure Earth connection before connecting L and N. When disconnecting the device, remove L and N connections before removing the Earth connection. The power supply must be mounted by metal screws onto a grounded metal surface. It is highly recommended that the Earth terminal on the connector be connected to the grounded metal surface.

### Accessories



#### LM-01: Top Fixing Bracket

This bracket is used to fix the power supply onto a flat surface from the top.

# PMT Panel Mount Power Supply

## 12V 350W 1 Phase / PMT-12V350W1A

### Functions

#### Start-up Time

The time required for the output voltage to reach 90% of its final steady state set value, after the input voltage is applied.

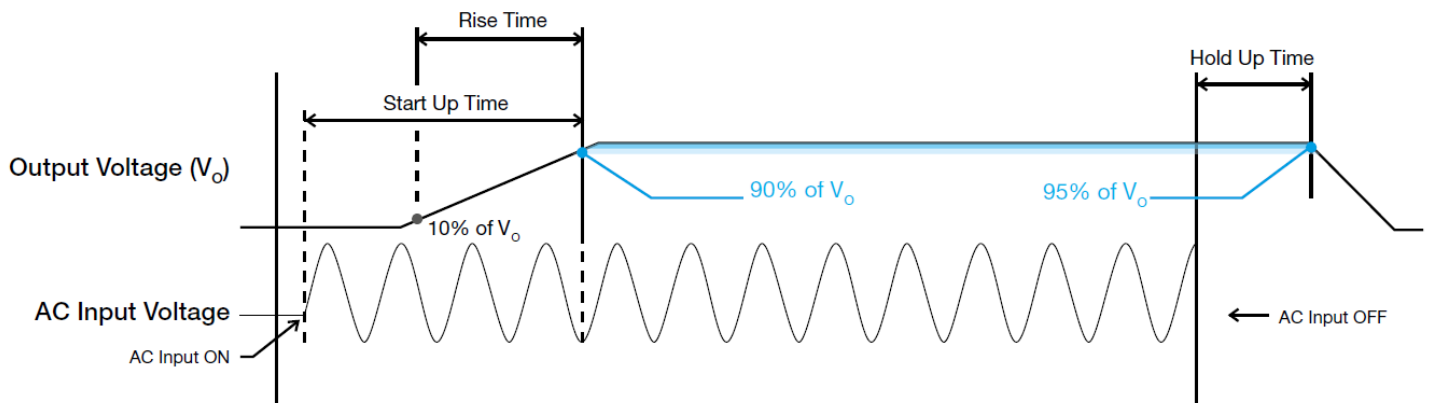
#### Rise Time

The time required for the output voltage to change from 10% to 90% of its final steady state set value.

#### Hold-up Time

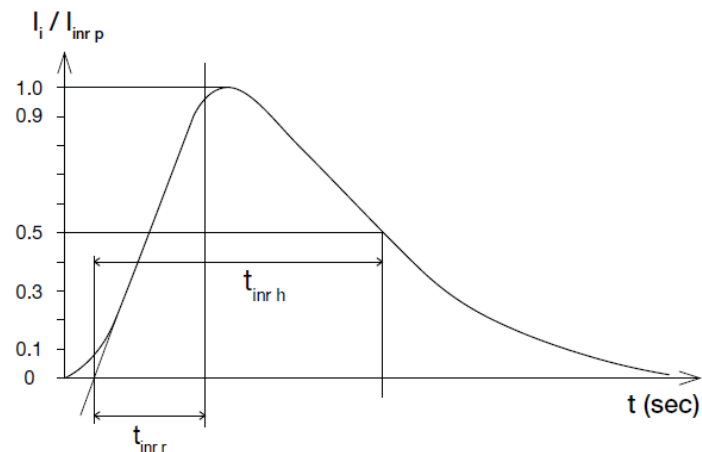
Time between the collapse of the AC input voltage, and the output falling to 95% of its steady state set value.

### ■ Graph illustrating the Start-up Time, Rise Time, and Hold-up Time



### Inrush Current

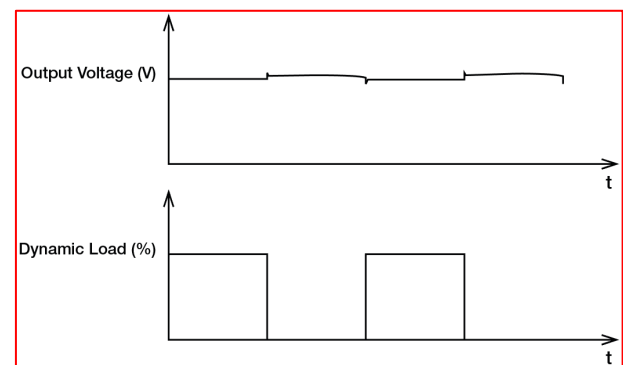
Inrush current is the peak, instantaneous, input current measured and, occurs when the input voltage is first applied. For AC input voltages, the maximum peak value of inrush current will occur during the first half cycle of the applied AC voltage. This peak value decreases exponentially during subsequent cycles of AC voltage.



### Dynamic Response

The power supply output voltage will remain within 1200mVp-p of its steady state value, when subjected to a dynamic load from 10 to 50% and 50 to 100% of its rated current.

### ■ 50% duty cycle / 5Hz to 1KHz

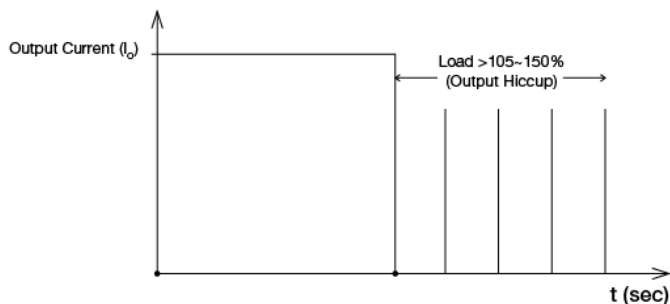


# PMT Panel Mount Power Supply

## 12V 350W 1 Phase / PMT-12V350W1A□

### Overload & Overcurrent Protections (Auto-Recovery)

The power supply's Overload (OLP) and Overcurrent (OCP) Protections will be activated when output current is 105~150% of  $I_o$  (Max load). In such occurrence, the  $V_o$  will start to droop and once the power supply has reached its maximum power limit, the protection is activated and the power supply will go into "Hiccup mode" (Auto-Recovery). The power supply will recover once the fault condition of the OLP and OCP is removed and  $I_o$  is back within the specifications.



It is not recommended to prolong the duration of  $I_o$  when it is <105~150% but >100%, since it may cause damage to the PSU.

### Short Circuit Protection (Auto-Recovery)

The power supply's output OLP/OCP function also provides protection against short circuits. When a short circuit is applied, the output current will operate in "Hiccup mode", as shown in the illustration in the OLP/OCP section on this page. The power supply will return to normal operation after the short circuit is removed.

### Others

#### Delta RoHS Compliant



#### Restriction of the usage of hazardous substances

The European directive 2011/65/EU limits the maximum impurity level of homogeneous materials such as lead, mercury, cadmium, chrome, polybrominated flame retardants PBB and PBDE for the use in electrical and electronic equipment. RoHS is the abbreviation for "Restriction of the use of certain hazardous substances in electrical and electronic equipment".

This product conforms to this standard.

#### Attention

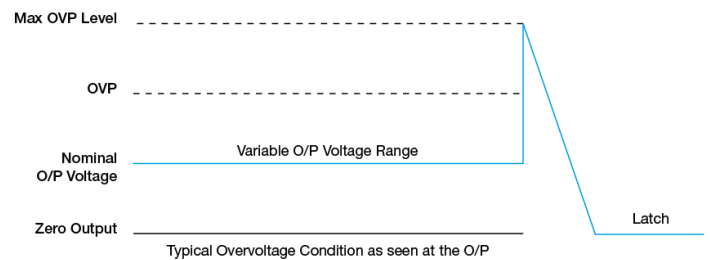
Delta provides all information in the datasheets on an "AS IS" basis and does not offer any kind of warranty through the information for using the product. In the event of any discrepancy between the information in the catalog and datasheets, the datasheets shall prevail (please refer to [www.DeltaPSU.com](http://www.DeltaPSU.com) for the latest datasheets information). Delta shall have no liability of indemnification for any claim or action arising from any error for the provided information in the datasheets. Customer shall take its responsibility for evaluation of using the product before placing an order with Delta.

Delta reserves the right to make changes to the information described in the datasheets without notice.

### Overvoltage Protection (Latch Mode)

The power supply's overvoltage circuit will be activated when its internal feedback circuit fails. The output voltage shall not exceed its specifications defined on Page 3 under "Protections". Power supply will latch, and require removal/re-application of input AC voltage in order to restart.

**The power supply should be latch.**



### Over Temperature Protection (Auto-Recovery)

As described in load de-rating section, the power supply also has Over Temperature Protection (OTP). In the event of a higher operating temperature at 100% load, the power supply will run into OTP when the operating temperature is beyond what is recommended in the de-rating graph. When activated, the output voltage will go into bouncing mode until the temperature drops to its normal operating temperature as recommended in the de-rating graph.