

enclosures:
size "44.27"

page:

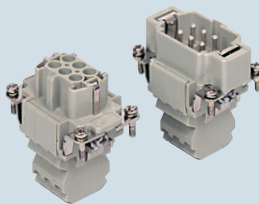
C-TYPE IP65/IP66	240 - 243
C7 IP67, single lever	274
V-TYPE IP65/IP66, single lever	280/284 - 286
BIG hoods	304 - 306
T-TYPE IP65 insulating	326 - 327
T-TYPE / W IP66 insulating	336 - 337
HYGIENIC T-TYPE / H IP66/IP69	350 - 351
HYGIENIC T-TYPE / C IP66/IP69, -50 °C	358 - 359
W-TYPE for aggressive environments	373
EMC	392
central lever	404 - 405
IP68	420 - 423
LS-TYPE	450 - 451

panel supports:

page:

COB	462 - 463
-----------	-----------

inserts,
connection with dual spring
terminal per pole



silver
plated
contacts

description

part No.

dual spring terminal per pole
socket inserts with female contacts
plug inserts with male contacts

CSSF 06
CSSM 06

The CSS series inserts can be inserted in flush mounted enclosures or in fixed / portable high enclosures.

- can be mated with CNE, CSE, CCE, CTE, CTSE, CSH inserts

- characteristics according to EN 61984:

16A 500V 6kV 3
16A 400/690V 6kV 2

- UL, CSA, CCC *, EAC certified

* CQC certification being applied for

- rated voltage according to UL/CSA: 600V

- insulation resistance: $\geq 10 \text{ G}\Omega$

- ambient temperature limit: $-40 \text{ }^\circ\text{C} \dots +125 \text{ }^\circ\text{C}$

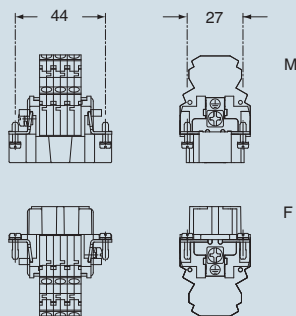
- are made of self-extinguishing thermoplastic resin UL 94 V0

- mechanical life: ≥ 500 cycles

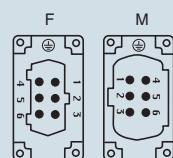
- contact resistance: $\leq 3 \text{ m}\Omega$

- for maximum current load, see the following load curves inserts, for more information see page 560

dimensions in mm



contacts side (front view)

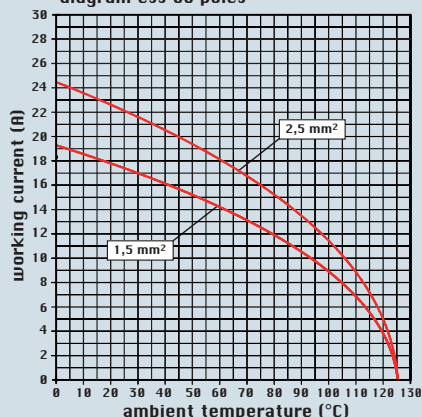


- inserts with plate, for section conductors:

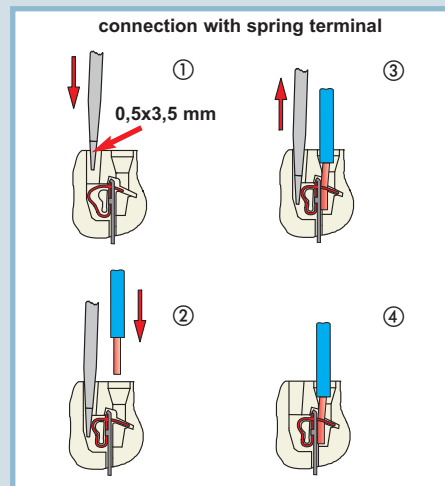
0.14 - 2.5 mm² - AWG 26 - 14

- conductors stripping length: 9...11 mm

diagram CSS 06 poles



dimensions shown are not binding
and may be changed without notice

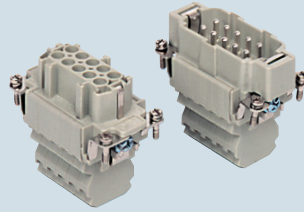


enclosures:
size "57.27" page:

C-TYPE IP65/IP66 244 - 249
 C7 IP67, two levers 275
 V-TYPE IP65/IP66, single lever 281/288 - 291
 BIG hoods 308 - 311
 T-TYPE IP65 insulating 328 - 329
 T-TYPE / W IP66 insulating 338 - 339
 HYGIENIC T-TYPE / H IP66/IP69 352 - 353
 HYGIENIC T-TYPE / C IP66/IP69, -50 °C 360 - 361
 W-TYPE for aggressive environments 374
 EMC 393
 central lever 406 - 407
 IP68 424 - 427
 LS-TYPE 452 - 453

panel supports: page:
 COB 462 - 463

inserts,
connection with dual spring
terminal per pole



silver
plated
contacts

description

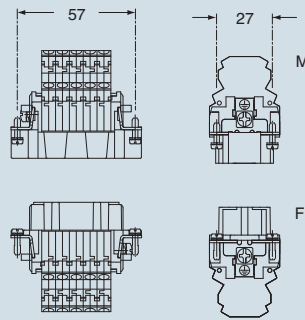
dual spring terminal per pole
 socket inserts with female contacts
 plug inserts with male contacts

part No.
CSSF 10
CSSM 10

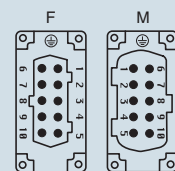
The CSS series inserts can be inserted in flush mounted enclosures or in fixed / portable high enclosures.

- can be mated with CNE, CSE, CCE, CTE, CTSE, CSH inserts
- characteristics according to EN 61984:
16A 500V 6kV 3
16A 400/690V 6kV 2
- UL, CSA, CCC *, EAC certified
 * CQC certification being applied for- rated voltage according to UL/CSA: 600V
- insulation resistance: $\geq 10 \text{ G}\Omega$
- ambient temperature limit: $-40 \text{ }^\circ\text{C} \dots +125 \text{ }^\circ\text{C}$
- are made of self-extinguishing thermoplastic resin UL 94 V0
- mechanical life: ≥ 500 cycles
- contact resistance: $\leq 3 \text{ m}\Omega$
- for maximum current load, see the following load curves inserts, for more information see page 560

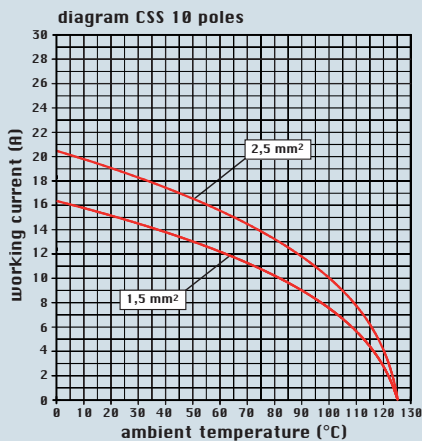
dimensions in mm



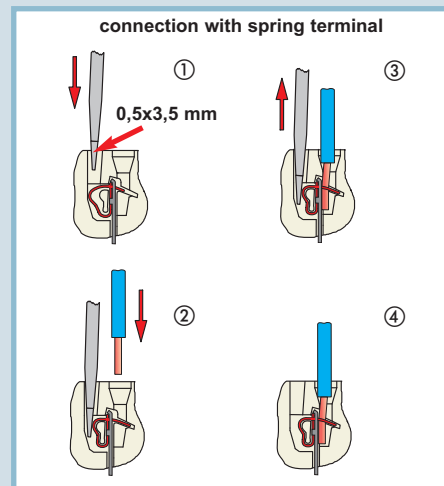
contacts side (front view)



- inserts with plate, for section conductors: 0.14 - 2.5 mm² - AWG 26 - 14
- conductors stripping length: 9...11 mm



dimensions shown are not binding
and may be changed without notice



enclosures:
size "77.27" page:

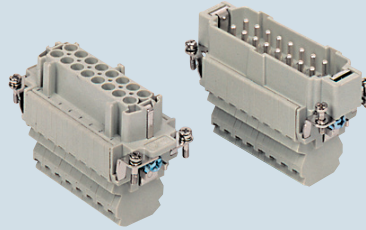
C-TYPE IP65/IP66	250 - 256
C7 IP67, two levers	276
V-TYPE IP65/IP66, single lever	282/292 - 295
BIG hoods	312 - 315
T-TYPE IP65 insulating	330 - 331
T-TYPE / W IP66 insulating	340 - 341
HYGIENIC T-TYPE / H IP66/IP69	354 - 355
HYGIENIC T-TYPE / C IP66/IP69, -50 °C	362 - 363
W-TYPE for aggressive environments	375
EMC	394
central lever	408 - 409
IP68	428 - 431
LS-TYPE	454 - 455

panel supports: page:
COB

description

dual spring terminal per pole
socket inserts with female contacts
plug inserts with male contacts

inserts,
connection with dual spring
terminal per pole



silver
plated
contacts

part No.

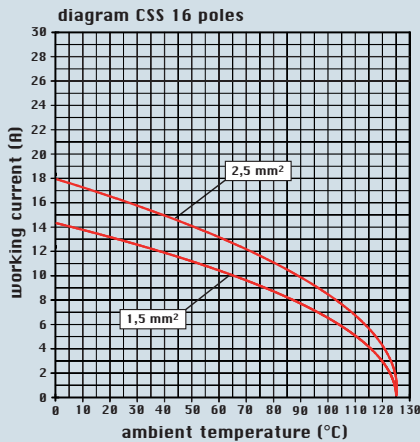
CSSF 16
CSSM 16

The CSS series inserts can be inserted in flush mounted enclosures or in fixed / portable high enclosures.

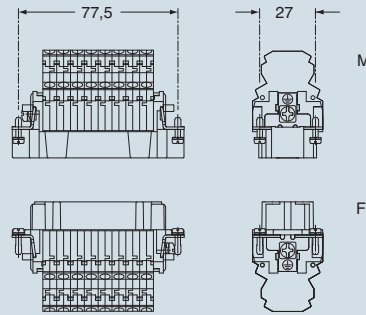
- can be mated with CNE, CSE, CCE, CTE, CTSE, CSH inserts

- characteristics according to EN 61984:

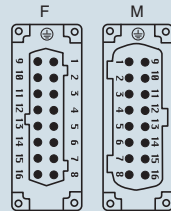
- 16A 500V 6kV 3**
- 16A 400/690V 6kV 2**
- UL, CSA, CCC *, EAC certified
- * CQC certification being applied for
- rated voltage according to UL/CSA: 600V
- insulation resistance: $\geq 10 \text{ G}\Omega$
- ambient temperature limit: $-40 \text{ }^\circ\text{C} \dots +125 \text{ }^\circ\text{C}$
- are made of self-extinguishing thermoplastic resin UL 94 V0
- mechanical life: ≥ 500 cycles
- contact resistance: $\leq 3 \text{ m}\Omega$
- for maximum current load, see the following load curves inserts, for more information see page 560



dimensions in mm

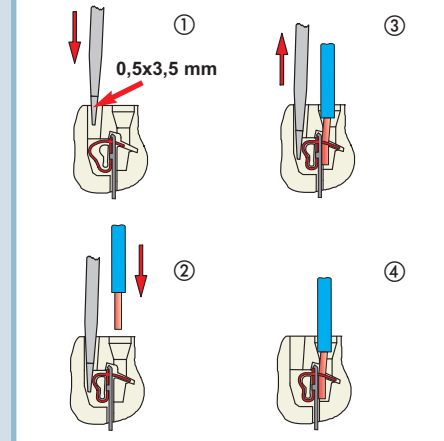


contacts side (front view)



- inserts with plate, for section conductors: 0.14 - 2.5 mm² - AWG 26 - 14
- conductors stripping length: 9...11 mm

connection with spring terminal



dimensions shown are not binding
and may be changed without notice

CSS

enclosures:

size "104.27"

page:

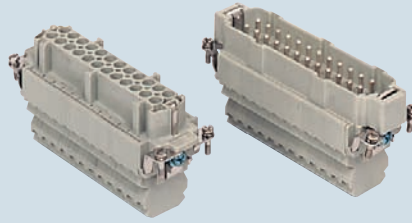
C-TYPE IP65/IP66	258 - 266
C7 IP67, two levers	277
V-TYPE IP65/IP66, single lever	283/296 - 299
BIG hoods	316 - 319
T-TYPE IP65 insulating	332 - 333
T-TYPE / W IP66 insulating	342 - 343
HYGIENIC T-TYPE / H IP66/IP69	356 - 357
HYGIENIC T-TYPE / C IP66/IP69, -50 °C	364 - 365
W-TYPE for aggressive environments	376
EMC	395
central lever	410 - 412
IP68	432 - 435
LS-TYPE	456 - 457

panel supports:

page:

COB	462 - 463
-----------	-----------

inserts,
connection with dual spring
terminal per pole



silver
plated
contacts

description

part No.

dual spring terminal per pole
socket inserts with female contacts
plug inserts with male contacts

CSSF 24
CSSM 24

The CSS series inserts can be inserted in flush mounted enclosures or in fixed / portable high enclosures.

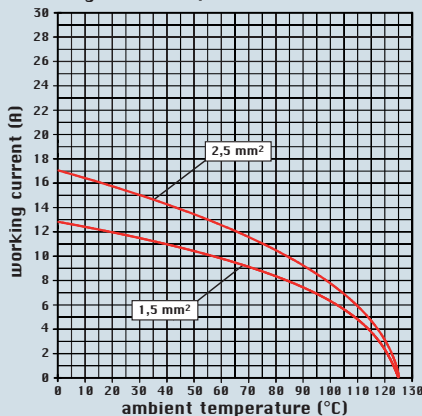
- can be mated with CNE, CSE, CCE, CTE, CTSE, CSH inserts

- characteristics according to EN 61984:

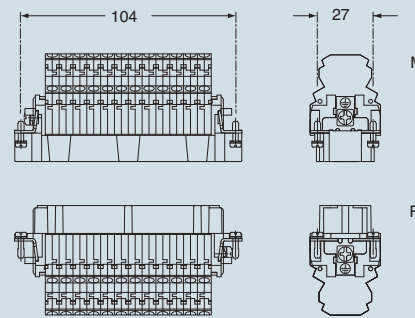
16A 500V 6kV 3
16A 400/690V 6kV 2

- UL, CSA, CCC *, EAC certified
- * CQC certification being applied for
- rated voltage according to UL/CSA: 600V
- insulation resistance: $\geq 10 \text{ G}\Omega$
- ambient temperature limit: $-40 \text{ }^\circ\text{C} \dots +125 \text{ }^\circ\text{C}$
- are made of self-extinguishing thermoplastic resin UL 94 V0
- mechanical life: ≥ 500 cycles
- contact resistance: $\leq 3 \text{ m}\Omega$
- for maximum current load, see the following load curves inserts, for more information see page 560

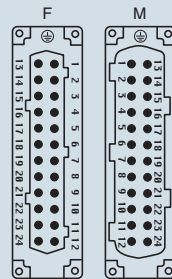
diagram CSS 24 poles



dimensions in mm

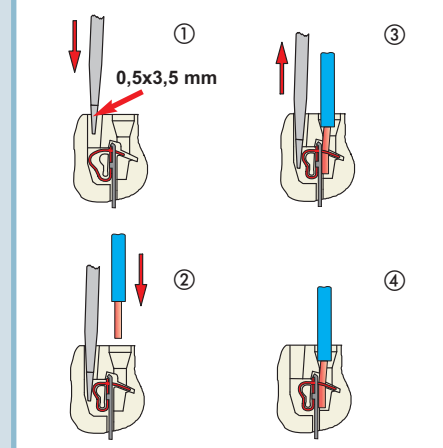


contacts side (front view)



- inserts with plate, for section conductors: 0.14 - 2.5 mm² - AWG 26 - 14
- conductors stripping length: 9...11 mm

connection with spring terminal



dimensions shown are not binding
and may be changed without notice

enclosures:
size "77.62"

page:

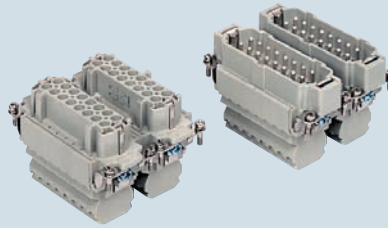
C-TYPE IP65/IP66 267 - 270

W-TYPE for aggressive environments 377

The CSS series inserts can be inserted in flush mounted enclosures or in fixed / portable high enclosures.

- can be mated with CNE, CSE, CCE, CSH inserts

inserts,
connection with dual spring
terminal per pole

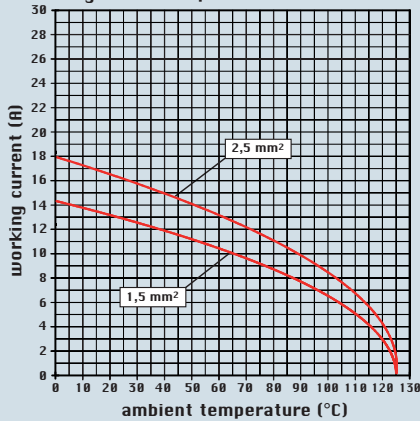


silver
plated
contacts

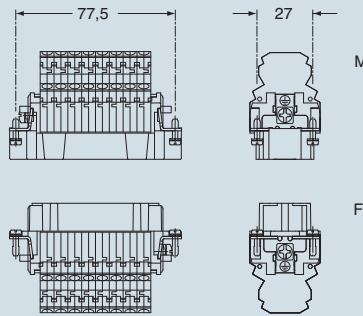
description	part No.	part No.
dual spring terminal per pole female inserts, No. (1-16) and (17-32) male inserts, No. (1-16) and (17-32)	CSSF 16 CSSM 16	CSSF 16 N CSSM 16 N

- characteristics according to EN 61984:
16A 500V 6kV 3
16A 400/690V 6kV 2
- UL, CSA, CCC *, EAC certified
- * CQC certification being applied for
- rated voltage according to UL/CSA: 600V
- insulation resistance: $\geq 10 \text{ G}\Omega$
- ambient temperature limit: $-40 \text{ }^\circ\text{C} \dots +125 \text{ }^\circ\text{C}$
- are made of self-extinguishing thermoplastic resin
UL 94 V0
- mechanical life: ≥ 500 cycles
- contact resistance: $\leq 3 \text{ m}\Omega$
- for maximum current load, see the following load curves inserts, for more information see page 560

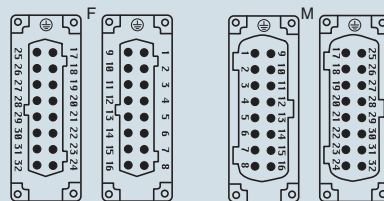
diagram CSS 32 poles



dimensions in mm

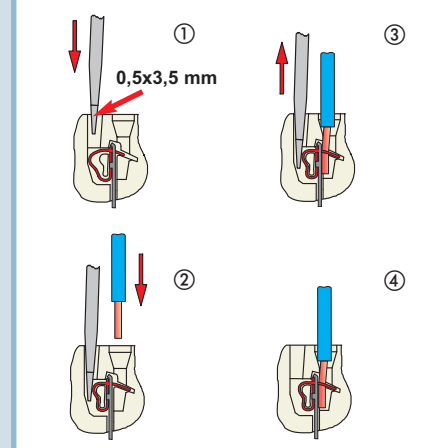


contacts side (front view)



- inserts with plate, for section conductors:
0.14 - 2.5 mm² - AWG 26 - 14
- conductors stripping length: 9...11 mm

connection with spring terminal



dimensions shown are not binding
and may be changed without notice

CSS

enclosures:
size "104.62"

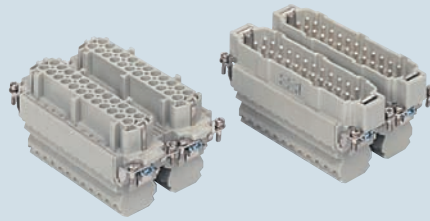
page:

C-TYPE IP65/IP66..... 271
W-TYPE for aggressive environments 378

The CSS series inserts can be inserted in flush mounted enclosures or in fixed / portable high enclosures.

- can be mated with CNE, CSE, CCE, CSH inserts

inserts,
connection with dual spring
terminal per pole

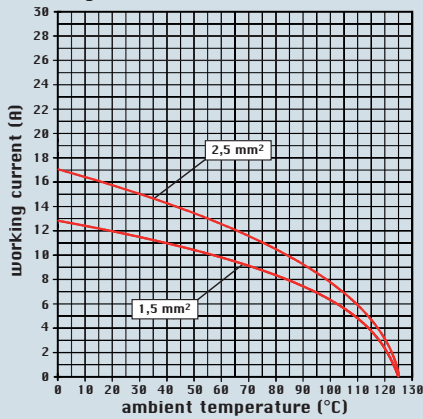


silver
plated
contacts

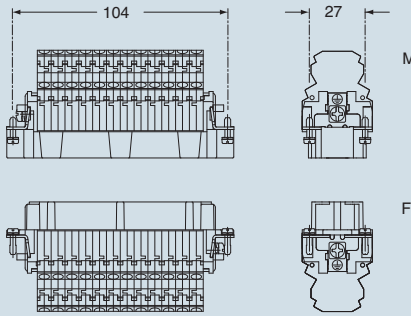
description	part No.	part No.
dual spring terminal per pole female inserts, No. (1-24) and (25-48) male inserts, No. (1-24) and (25-48)	CSSF 24 CSSM 24	CSSF 24 N CSSM 24 N

- characteristics according to EN 61984:
16A 500V 6kV 3
16A 400/690V 6kV 2
- UL, CSA, CCC *, EAC certified
- * CQC certification being applied for
- rated voltage according to UL/CSA: 600V
- insulation resistance: $\geq 10 \text{ G}\Omega$
- ambient temperature limit: $-40 \text{ }^\circ\text{C} \dots +125 \text{ }^\circ\text{C}$
- are made of self-extinguishing thermoplastic resin
UL 94 V0
- mechanical life: ≥ 500 cycles
- contact resistance: $\leq 3 \text{ m}\Omega$
- for maximum current load, see the following load curves inserts, for more information see page 560

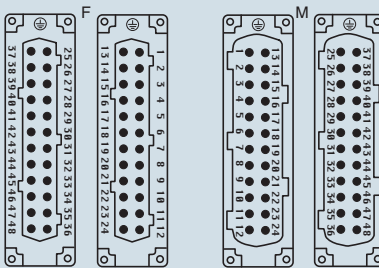
diagram CSS 48 poles



dimensions in mm

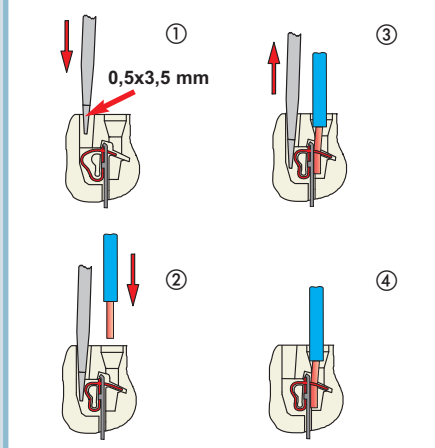


contacts side (front view)



- inserts with plate, for section conductors:
0.14 - 2.5 mm² - AWG 26 - 14
- conductors stripping length: 9...11 mm

connection with spring terminal



dimensions shown are not binding
and may be changed without notice