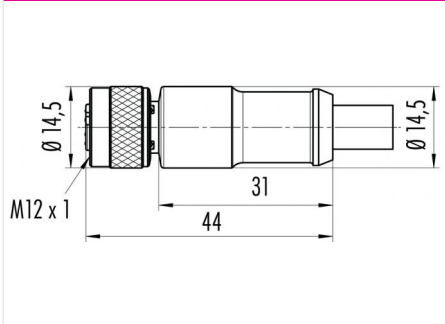


Product	Contacts: 4, Female cable connector, PROFINET, with UL approval	Area	M12-D, M12-X Series 876 D-coding
Pole	4	Article number	77 4530 0000 50704 0500

Illustration



Scale drawing



Technical data

Common values

Connector Design	Female cable connector
Connector locking system	screw
Termination	crimp, injection-moulded cable
Wire gauge (mm)	0.25 mm ²
Wire gauge (AWG)	22
Upper temperature	85 °C
Lower temperature	-25 °C

Electrical values

Rated voltage	250 V
Rated impulse voltage	2500 V
Pollution degree	3
Overvoltage category	II
Material group	II
Volume resistivity	≤ 3 mΩ
Degree of protection	IP67
Mechanical operation	> 500 mating cycles

Cable data

Approval	UL style: 20236
----------	-----------------

Material

Material of contact	CuSn (Bronze)
Contact plating	Au (Gold)
Material of contact body	PUR
Material of housing	PUR

Cable length: 5 m, Contacts: 4, Female cable connector, PROFINET, with UL approval