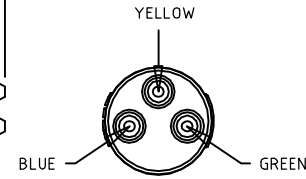
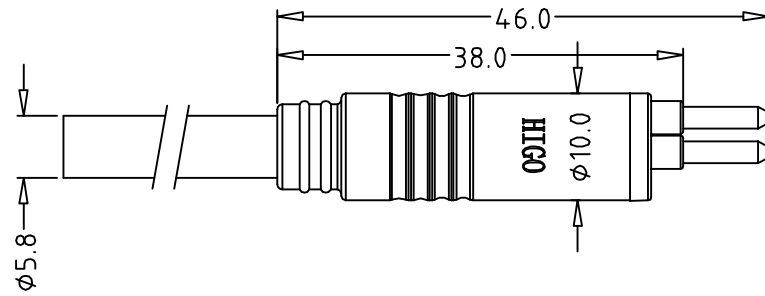
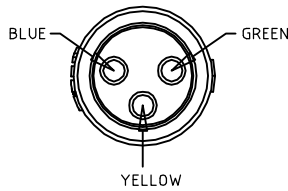
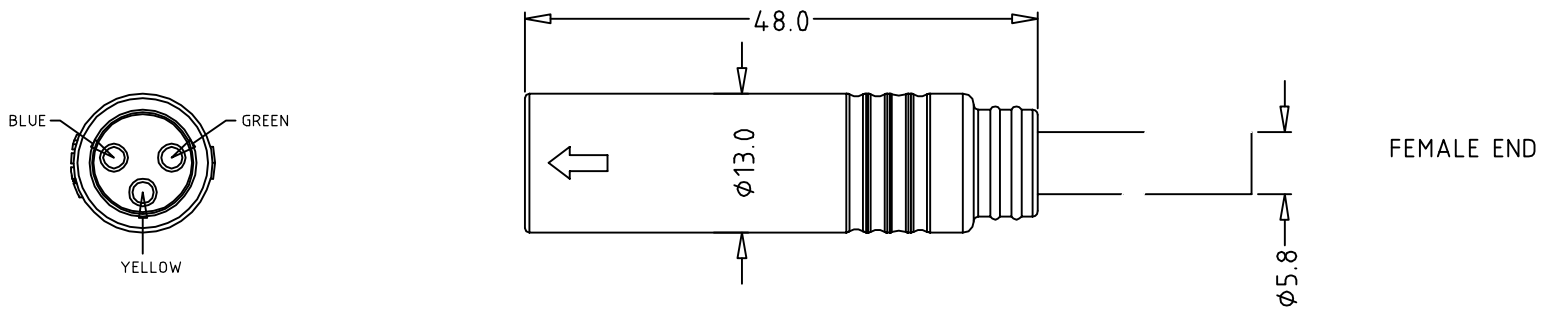


版本: X1

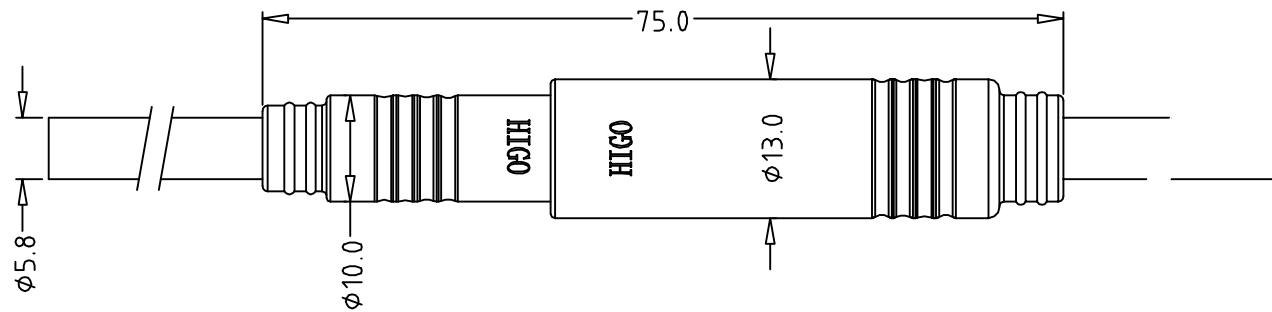
7	8	9	10
ECN. NO.	REV.	DATE	DESCRIPTION
	X1	06/19'2014	初版发行
			CHANGE
			APPD.



MALE END



FEMALE END



HG-F-Z310B

3×1.2mm²

3×1.5mm²

3×2.0mm²

MAT'L: N/A		Higo 上海海固电器设备有限公司 Shang hai Higo Electronic Technology Co., Ltd.	
UNITS: mm		TITLE: 3芯公/母端	PART NO.:
X±: 8	X°±: 5°	APPD:	DWG NO.:
.X±: 1	.X°±: 2°	CHEd:	
.XX±: 0.05	.XX°±: 1°	DRAW: Changshun 06/19'2014	SCALE SHEET REV. N/A 1/1