



| | |
|--|-----------|
| inserts: | page: |
| CDD 24 poles + ⊕ | 67 |
| CDS 9 poles + ⊕ | 78 |
| CSH 6 poles + ⊕ | 91 |
| CNE, CSE 6 poles + ⊕ | 104 |
| CCE 6 poles + ⊕ | 110 |
| CSS 6 poles + ⊕ | 122 |
| CT, CTSE (16A) * 6 poles + ⊕ | 130 |
| CQE 10 poles + ⊕ | 138 |
| MIXO 2 modules | 179 - 215 |

*) can be used only in bulkhead mounting housings

insert centre distance:
44 x 27 mm

bulkhead mounting housings with single lever



lever in stainless steel

description

part No.

with lever and cover in aluminium, size "44.27"

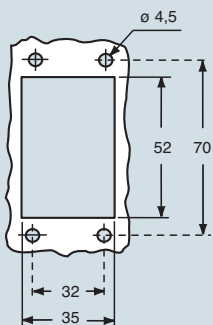
CVI 06 LS

with lever and cover in plastic, size "44.27"

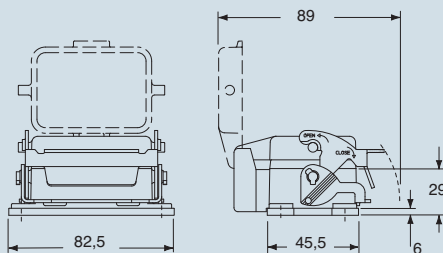
CVI 06 LP

panel cut-out for bulkhead mounting housings in mm

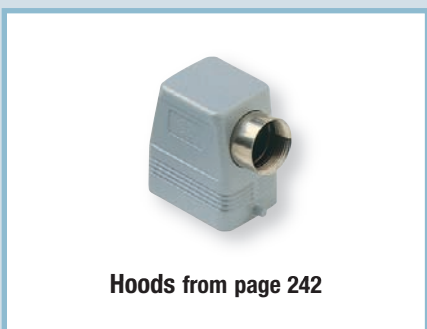
dimensions in mm



CVI LS/LP



NB:
The enclosures ensure IP66 protection (or IP65 cover versions) rating when mated and locked with the closing levers.



CRUS® Type 4/4X/12
(except enclosures with plastic cover)



dimensions shown are not binding and may be changed without notice

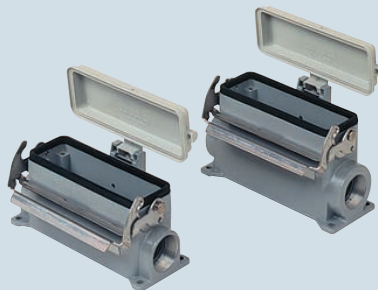
V-TYPE - size 44.27



| | |
|----------------------------|-----------|
| inserts: | page: |
| CDD 24 poles + ⊕ | 67 |
| CDS 9 poles + ⊕ | 78 |
| CSH 6 poles + ⊕ | 91 |
| CNE, CSE 6 poles + ⊕ | 104 |
| CCE 6 poles + ⊕ | 110 |
| CSS 6 poles + ⊕ | 122 |
| CQE 10 poles + ⊕ | 138 |
| MIXO 2 modules | 179 - 215 |

insert centre distance:
44 x 27 mm

surface mounting housings
with single lever and plastic cover



lever in stainless steel

surface mounting housings
with single lever and aluminium cover



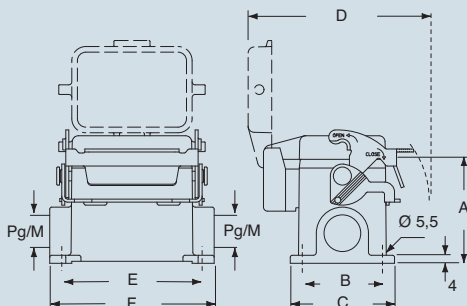
lever in stainless steel

| description | part No. | | entry | | part No. | | entry | |
|---|---------------------|--------|---------------------|--------|---------------------|--------|---------------------|--------|
| | | Pg | Pg | M | | Pg | M | |
| with lever and cover, size "44.27" | CVP 06 LP | 16 | MVP 06 LP20 | 20 | CVP 06 LS | 16 | MVP 06 LS20 | 20 |
| with lever and cover, size "44.27" | CVP 06 LP2 | 16 x 2 | MVP 06 LP220 | 20 x 2 | CVP 06 LS2 | 16 x 2 | MVP 06 LS220 | 20 x 2 |
| with lever and cover, high construction, size "44.27" | CVAP 06 LP | 21 | MVAP 06 LP32 | 32 | CVAP 06 LS | 21 | MVAP 06 LS32 | 32 |
| with lever and cover, high construction, size "44.27" | CVAP 06 LP2 | 21 x 2 | MVAP 06LP232 | 32 x 2 | CVAP 06 LS2 | 21 x 2 | MVAP 06LS232 | 32 x 2 |
| with lever and cover, high construction, size "44.27" | CVAP 06 LP29 | 29 | MVAP 06 LP40 | 40 | CVAP 06 LS29 | 29 | MVAP 06 LS40 | 40 |
| with lever and cover, high construction, size "44.27" | CVAP 06LP229 | 29 x 2 | MVAP 06LP240 | 40 x 2 | CVAP 06LS229 | 29 x 2 | MVAP 06LS240 | 40 x 2 |

NB:
The enclosures ensure IP66 protection (or IP65 cover versions) rating when mated and locked with the closing levers.

dimensions in mm

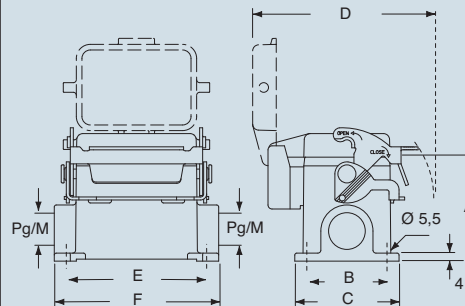
CVP LP - CVAP LP and MVP LP - MVAP LP



| type | A | B | C | D | E | F |
|------------------------|----|----|----|----|----|----|
| CVP/MVP 06 LP | 53 | 40 | 52 | 91 | 70 | 82 |
| CVAP/MVAP 06 LP | 73 | 45 | 57 | 91 | 70 | 82 |

dimensions in mm

CVP LS - CVAP LS and MVP LS - MVAP LS



| type | A | B | C | D | E | F |
|------------------------|----|----|----|----|----|----|
| CVP/MVP 06 LS | 53 | 40 | 52 | 91 | 70 | 82 |
| CVAP/MVAP 06 LS | 73 | 45 | 57 | 91 | 70 | 82 |



CALUS® Type 4/4X/12
(except enclosures with plastic cover)



dimensions shown are not binding
and may be changed without notice

V-TYPE - size 44.27



| | |
|----------------------------|-----------|
| inserts: | page: |
| CDD 24 poles + ⊕ | 67 |
| CDS 9 poles + ⊕ | 78 |
| CSH 6 poles + ⊕ | 91 |
| CNE, CSE 6 poles + ⊕ | 104 |
| CCE 6 poles + ⊕ | 110 |
| CSS 6 poles + ⊕ | 122 |
| CQE 10 poles + ⊕ | 138 |
| MIXO 2 modules | 179 - 215 |

insert centre distance:
44 x 27 mm

hoods top entry
with gasket and 1 lever



lever in stainless steel

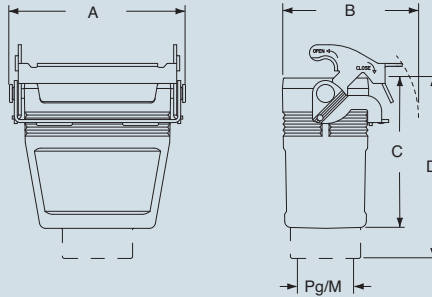
| description | part no. | entry Pg | part no. | entry M |
|--|--------------------------|-----------|--------------|-------------|
| | with lever, size "44.27" | CVV 06 LG | 16 | MVV 06 LG25 |
| with lever, high construction, size "44.27" | CVAV 06 LG21 | 21 | MVAV 06 LG25 | 25 |
| with lever, high construction, size "44.27" | CVAV 06 LG29 | 29 | MVAV 06 LG32 | 32 |
| with lever, high construction, without adaptor, size "44.27" | CVFV 06 LG21 | 21 | MVFV 06 LG25 | 25 |
| with lever, high construction, without adaptor, size "44.27" | CVFV 06 LG29 | 29 | MVFV 06 LG32 | 32 |

V-TYPE - size 44.27



dimensions in mm

CVV LG - CVAV LG - CVFV LG and
MVV LG - MVAV LG - MVFV LG



| type | A | B | C | D |
|-----------------|----|----|------|------|
| CVV/MVV 06 LG | 74 | 65 | 45,5 | 58,5 |
| CVAV/MVAV 06 LG | 74 | 65 | 77 | 93 |
| CVFV/MVFV 06 LG | 74 | 65 | 77 | — |

CALUS Type 4/4X/12



dimensions shown are not binding
and may be changed without notice