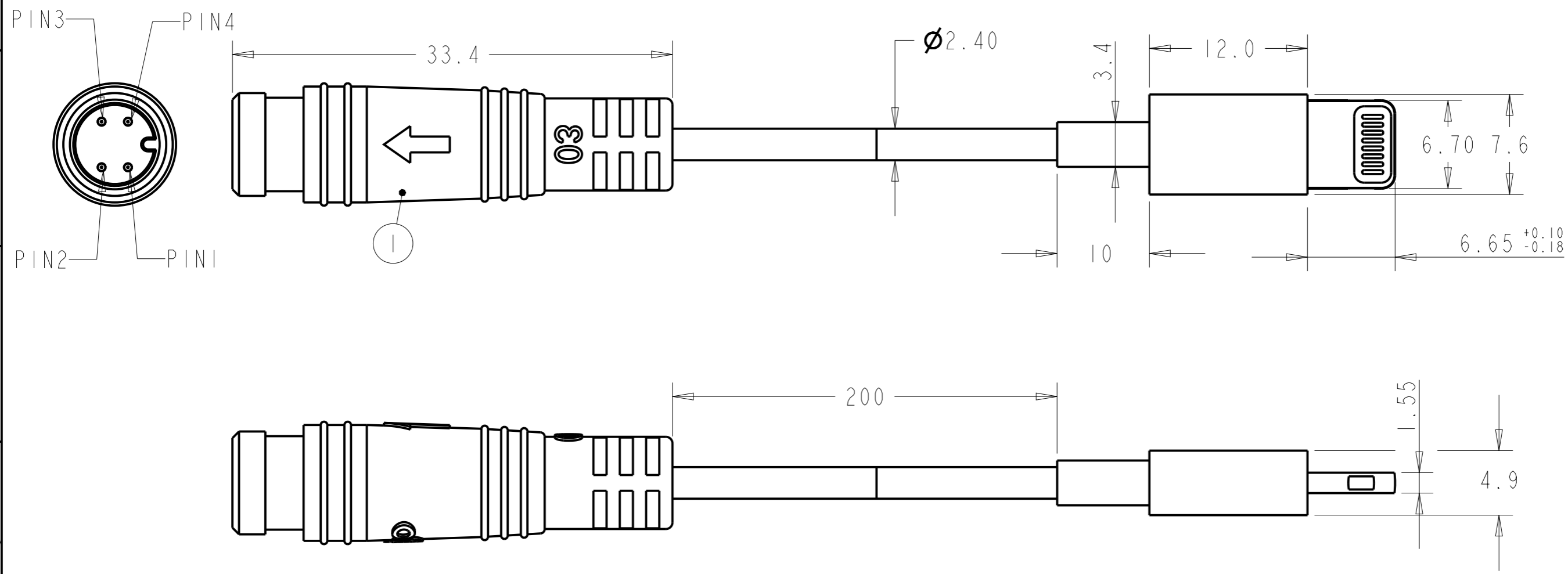


ECN. NO.	REV.	DATE	DESCRIPTION	DR:	APPD.
ECNO.	A	2017-06-22	INITIAL RELEASE	N.P	N.P



NOTES:
 1. ALL MATERIAL MUST COMPLIANCE WITH ROHS AND REACH;
 2. THE CABLE MUST BE TESTED BEFORE SHIPPING:
 2.1: OPEN/SHORT TEST.
 2.2: WITH STANDARDING VOLTAGE TEST.
 2.3: RESISTANCE TEST: 20M Ω Min.

Item	iPhone plug	MINI B
PIN1 V _{BUS}	RED	RED
PIN2 D-	WHITE	WHITE
PIN3 D+	GREEN	GREEN
PIN4 GND	BLACK	BLACK

3	cable	1
2	Iphone plug	1
1	MINI B male	1
ITEM	DESCRIPTION	Quantity

MAT'L: see notel	Higo 上海海固电器设备有限公司 Shang hai Higo Electronic Technology Co., Ltd.
UNITS: mm	TITLE: iPhone Charging
PART NO.: 5300.1020	DWGNO.: E-F04MTA51
APPD:	SCALE: X
CHED:	SHEET: N/N
DRAW: Nick Pan	REV: A