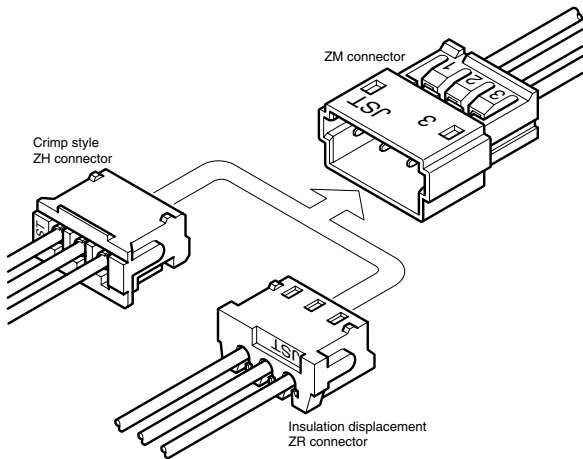




ZM CONNECTOR

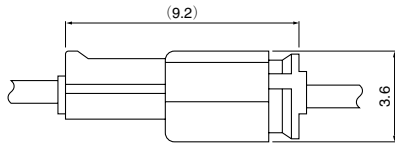
1.5mm pitch/Crimp style Wire-to-wire connectors Matable with ZH and ZR receptacles



1.5mm pitch connectors allow higher densities.

- Compact design
- Housing-to-terminal locks
- Both crimp style and insulation displacement receptacles can be used
- Fully shrouded header resists "rocking" during mating

ZM/ZH connector



Specifications

- Current rating: 0.7A AC, DC max. (AWG #28)
 - Voltage rating: 50V AC, DC max. (See Note below.)
 - Temperature range: -25°C to +85°C (including temperature rise in applying electrical current)
 - Contact resistance: Initial value/ 20m Ω max. After environmental testing/ 30m Ω max.
 - Insulation resistance: 500M Ω min.
 - Withstanding voltage: 500V AC/minute
 - Applicable wire: AWG #30 to #28
- Note: Contacts are exposed at the housing lances.
Care should be taken so that these parts do not touch the metal section of the chassis.

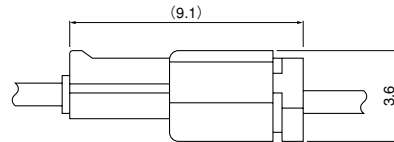
- * Compliant with RoHS.
- * Refer to "General Instruction and Notice when using Terminals and Connectors" at the end of this catalog.
- * Contact JST for details.

Standards

Recognized E60389

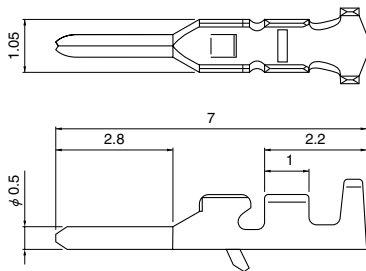
Certified LR20812

ZM/ZR connector

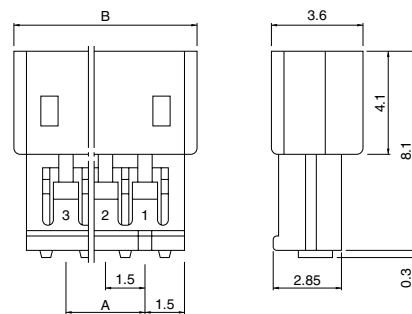


Plug / ZM connector

Contact



Housing



| Model No. | Applicable wire | | Insulation O.D. (mm) | Q'ty / reel |
|---------------|-----------------|-------|----------------------|-------------|
| | mm ² | AWG # | | |
| SMM-003T-P0.5 | 0.05~0.08 | 30~28 | 0.7~0.9 | 16,000 |

Material and Finish

Phosphor bronze, tin-plated (reflow treatment)

RoHS compliance

| Contact | Crimping machine | Applicator | | |
|---------------|------------------|------------------|---------------|----------------------------|
| | | Crimp applicator | Dies | Crimp applicator with dies |
| SMM-003T-P0.5 | AP-K2N | MKS-L | MK/SMM-003-05 | APLMK SMM003-05 |
| | | *MKS-SC | SC/SMM-003-05 | APLSC SMM003-05 |

Note: *Strip-crimp applicator

| Circuits | Model No. | Dimensions (mm) | | Q'ty / bag |
|----------|-----------|-----------------|------|------------|
| | | A | B | |
| 2 | ZMR-02 | 1.5 | 5.5 | 2,000 |
| 3 | ZMR-03 | 3.0 | 7.0 | 2,000 |
| 9 | ZMR-09 | 12.0 | 16.0 | 1,000 |
| 13 | ZMR-13 | 18.0 | 22.0 | 1,000 |

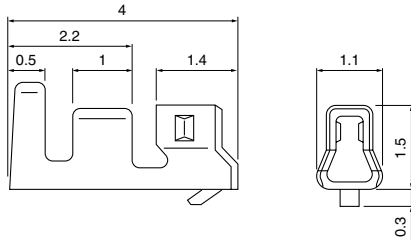
Material

Glass-filled PA 66, UL94V-0

RoHS compliance

Receptacle / ZH connector (Crimp style)

Contact



| Model No. | Dimensions (mm) | | Insulation (mm) | Q'ty / reel |
|----------------------|-----------------|-------|-----------------|-------------|
| | mm ² | AWG # | | |
| SZH-003T-P0.5 | 0.032~0.08 | 32~28 | 0.5~0.9 | 16,000 |

Material and Finish

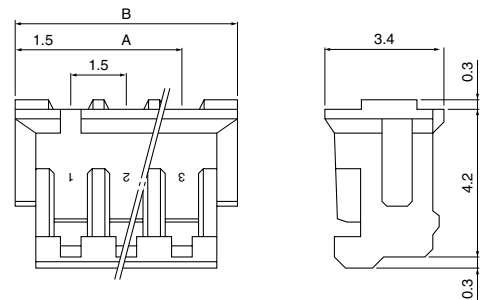
Phosphor bronze, tin-plated (reflow treatment)

RoHS compliance

| Contact | Crimping machine | Applicator | | |
|----------------------|------------------|------------------|---------------|----------------------------|
| | | Crimp applicator | Dies | Crimp applicator with dies |
| SZH-003T-P0.5 | AP-K2N | MKS-L | MK/SZH-003-05 | APLMK SZH003-05 |
| | | *MKS-SC | SC/SZH-003-05 | APLSC SZH003-05 |

Note: *Strip-crimp applicator

Housing



| Circuits | Model No. | Dimensions (mm) | | Q'ty / bag |
|----------|---------------|-----------------|------|------------|
| | | A | B | |
| 2 | ZHR-2 | 1.5 | 4.5 | 1,000 |
| 3 | ZHR-3 | 3.0 | 6.0 | 1,000 |
| 9 | ZHR-9 | 12.0 | 15.0 | 1,000 |
| 13 | ZHR-13 | 18.0 | 21.0 | 1,000 |

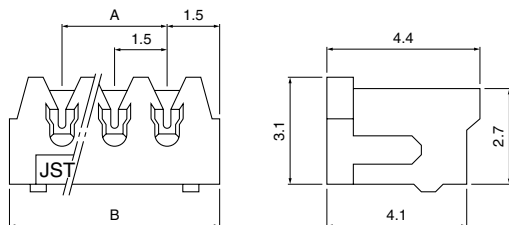
Material

PA 66, UL94V-0

RoHS compliance

Receptacle / ZR connector (IDC)

Receptacle



| Circuits | Model No. | | Dimensions (mm) | | Q'ty / bag |
|----------|------------------|------------------|-----------------|------|------------|
| | AWG #30 | AWG #28 | A | B | |
| 2 | 02ZR-3H-P | 02ZR-8M-P | 1.5 | 4.5 | 2,000 |
| 3 | 03ZR-3H-P | 03ZR-8M-P | 3.0 | 6.0 | 2,000 |
| 9 | 09ZR-3H-P | 09ZR-8M-P | 12.0 | 15.0 | 2,000 |
| 13 | 13ZR-3H-P | 13ZR-8M-P | 18.0 | 21.0 | 2,000 |

Material

Contact: Phosphor bronze, tin-plated (reflow treatment)
Housing: Glass-filled PA 66, UL94V-0

RoHS compliance