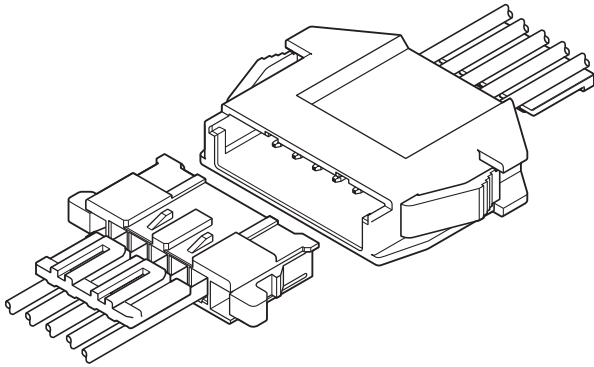




XAG CONNECTOR

2.5mm pitch/Crimp style Wire-to-wire connectors



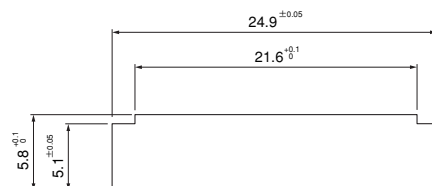
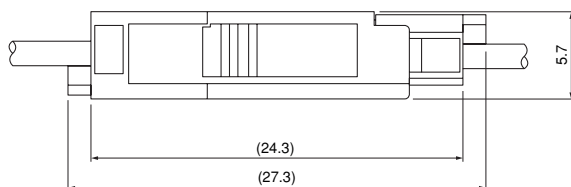
This is a 2.5mm pitch, crimp style, wire-to-wire connector.

- **Secure locking device**
- **Panel locking device**
- **Thin design**
- **Retainer mountable type**

Specifications

- Current rating: 3A AC, DC (AWG #20)
 - Voltage rating: 250V AC, DC
 - Temperature range: -25°C to +85°C
(including temperature rise in applying electrical current)
 - Contact resistance: Initial value/ 10m Ω max.
After environmental testing/ 20m Ω max.
 - Insulation resistance: 500M Ω min.
 - Withstanding voltage: 1,500V AC/minute
 - Applicable wire: AWG #24 to #20
 - Applicable PC board thickness: 0.5 to 2mm
- * Compliant with RoHS.
* Refer to "General Instruction and Notice when using Terminals and Connectors" at the end of this catalog.
* Contact JST for details.

Assembly layout and Panel layout

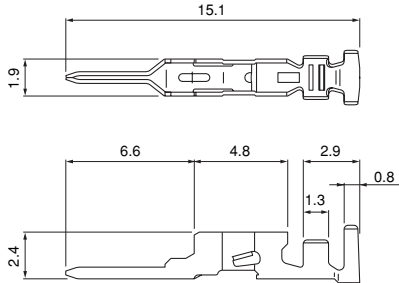


Note: 1. Punch holes in the panel according to the figures shown above. Burrs must be removed.
2. The strength of the panel must be considered when punching two or more holes.
3. The connector must be inserted from the same side as the hole is punched.

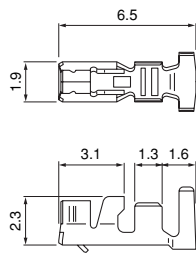
XAG CONNECTOR

Contact

Pin contact



Socket contact



Model No.		Applicable wire		Insulation O.D. (mm)	Q'ty / reel	
Pin contact	Socket contact	mm ²	AWG #		Pin contact	Socket contact
SXAM-01T-P0.6	SXA-01T-P0.6	0.22~0.5	24~20	1.5~1.9	7,000	8,000

Material and Finish

Phosphor bronze, tin-plated (reflow treatment)

RoHS compliance

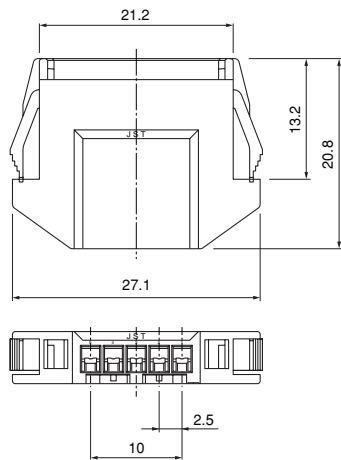
Note: Contact JST for gold-plated products.

Contact	Crimping machine	Applicator		
		Crimp applicator	Dies	Crimp applicator with dies
SXAM-01T-P0.6	AP-K2N	MKS-L	MK/SXAM/XA-01-06	APLMK SXAM/XA01-06
		*MKS-SC	SC/SXAM/XA-01-06	APLSC SXAM/XA01-06
SXA-01T-P0.6	AP-K2N	MKS-L	MK/SXAM/XA-01-06	APLMK SXAM/XA01-06
		*MKS-SC	SC/SXAM/XA-01-06	APLSC SXAM/XA01-06

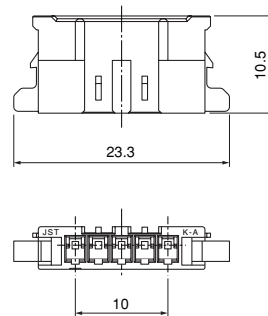
Note: *Strip-crimp applicator

Housing

Plug housing For pin contact



Receptacle housing For socket contact



Circuits	Model No.	Q'ty / bag
5	XAGR-053A-K	1,000

Material

PA 66, UL94V-0, black

RoHS compliance

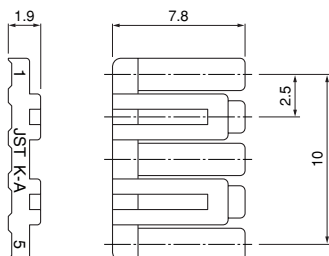
Circuits	Model No.	Q'ty / bag
5	XAGRP-051-K	2,000

Material

PBT, UL94V-0, black

RoHS compliance

Retainer



Circuits	Model No.	Q'ty / box
5	XAGS-053-K	5,000

Material

PA 66, UL94V-0, black

RoHS compliance