

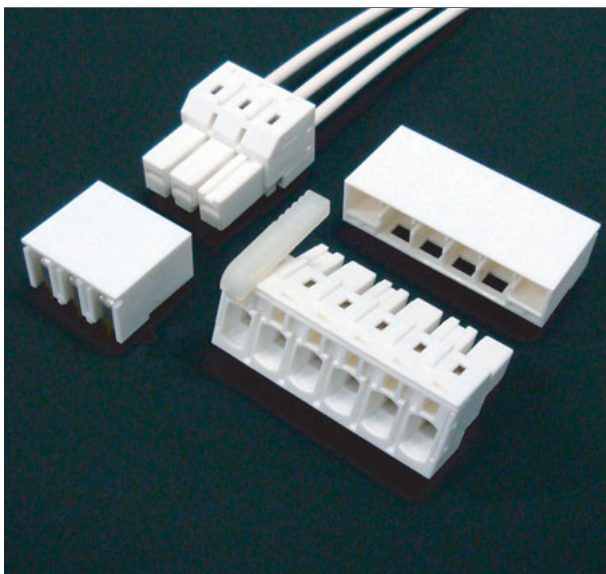
NEW PRODUCT

For Board to Wire connection

J-FAT-S-XL CONNECTOR

8.0mm Pitch

- Neither ring terminal nor crimping tools is needed.
- Easy termination of wire by spring method. (Using exclusive open tool)
- Wide applicable wire range
- L type header is used.



■ Features

● **Excellent contacting reliability**

Spring provides the gas-tight area between wire and terminal, and the stable high reliable contact is given.

● **High durability performance**

100 cycles of durability is guaranteed.

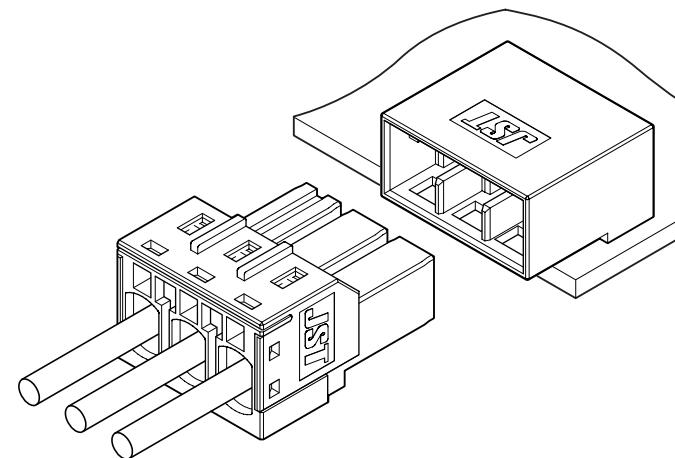
● **High current**

Current rating is 23A when using AWG#10 and 3-circuit connector.
The actual current value is depended on the number of circuits and the wire.

● **UL / TUV Standard**

UL 1977 and UL 1059 will be acquired.
Tuv will be acquired.

JST



■ Specifications

- Current rating : 23 A AC, DC (3-circuit/AWG #10)
- Voltage rating : 600 V AC, DC
- Temperature : -55°C to +105°C (including temperature range rise in applying electrical current)
- Applicable wire : Wire range AWG #16 to AWG#10
- No. of Circuits : 3 & 6 circuits
- PCB mounting : Horizontal direction

J.S.T. MFG. CO., LTD.

<http://www.jst-mfg.com>