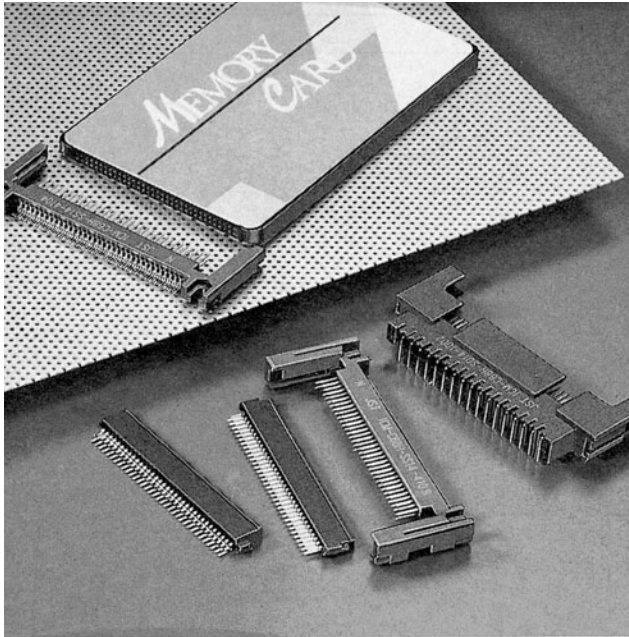


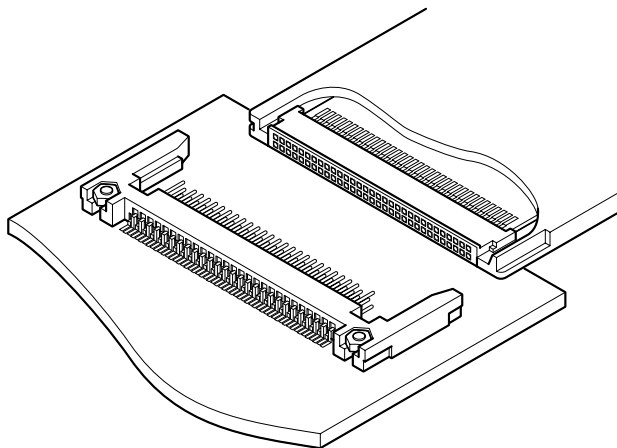
# PC CARD CONNECTOR C TYPE

68-circuit PC card connectors

**1.27mm**  
pitch



**1.27mm pitch 68-circuit connector for PC cards.**



## Features

- Header pins are designed to be protected against static electricity
- **Easy inspection and touch-up after reflow soldering**  
The SMT type header is 0.635mm pitch, with single row solder tails positioned so that inspection and touch-up after reflow soldering is easy.
- **Socket**  
Two mounting methods, dual row straddle type and in line SMT type with variation of PC board offset distance. Newly lined up springy grounding pin type socket provides easy but stable grounding circuit connection between PC board to metal section of card frame by springy No.1 and No.35 grounding pins.
- **Applicable to low-voltage (3.3V) card**  
Headers for type III cards have a groove to be applicable to the low-voltage (3.3V) cards.

## Specifications

- Current rating: 0.5A AC, DC/line
  - Temperature range: -40°C to +85°C  
(including temperature rise in applying electrical current)
  - Contact resistance: Initial value/ 40m Ω max.  
After environmental testing/ 20m Ω max.  
(variation from initial value)
  - Withstanding voltage: 500V AC/minute
  - Insulation resistance: 1,000M Ω min. (Initial)
  - Mating/unmating life: 10,000 cycles
- \* Compliant with RoHS.  
\* Refer to "General Instruction and Notice when using Terminals and Connectors" at the end of this catalog.  
\* Contact JST for details.

## Standards

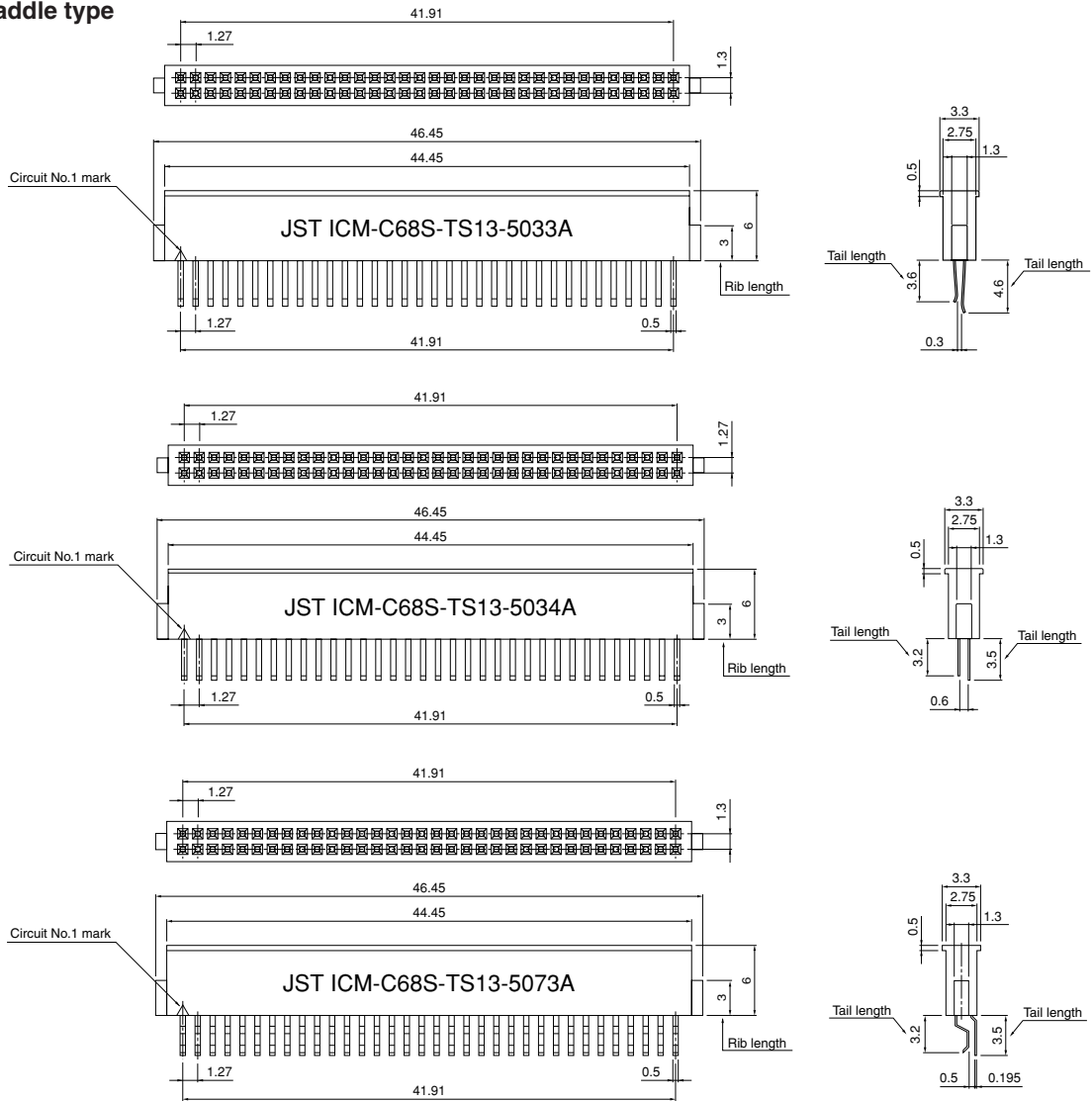
 Recognized E60389

 Certified LR20812

# PC CARD CONNECTOR C TYPE

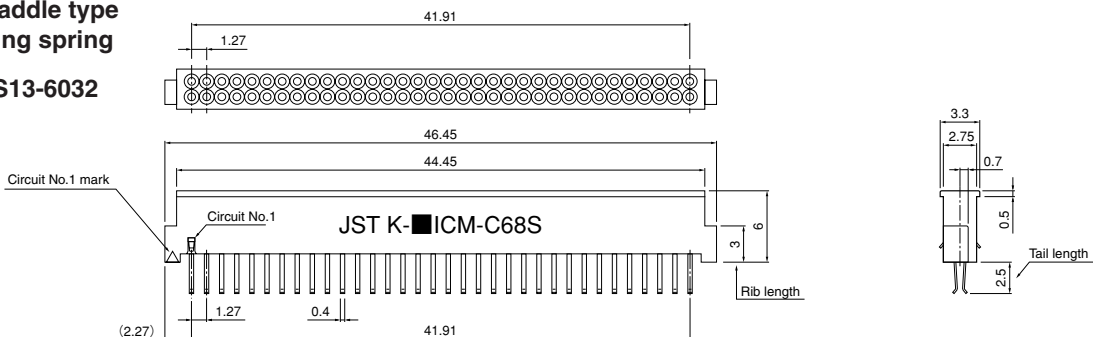
## Socket

### Dual-row straddle type



### Dual-row straddle type with grounding spring

#### ICM-C68S-TS13-6032



Circuits	Solder tail	Grounding spring	Off-set dimension	Rib length (mm)	Tail length (mm)	Model No.	Q'ty / box	Material and Finish
68	Dual-row straddle type	Without	Center	3.0	3.6, 4.6	<b>ICM-C68S-TS13-5033A</b>	480	Contact: Copper alloy, nickel-undercoated, Mating part: gold-plated Solder tail: tin-plated (reflow treatment) Housing: PA6T, UL94V-0, black
			Center	3.0	3.2, 3.5	<b>ICM-C68S-TS13-5034A</b>	480	
			-	3.0	3.2, 3.5	<b>ICM-C68S-TS13-5073A</b>	480	
		With (Circuit No.1, No.35)	Center	3.0	2.5	<b>ICM-C68S-TS13-6032</b>	360	Contact: Copper alloy, nickel-undercoated, Mating part: gold-plated Solder tail: tin-plated (reflow treatment) Housing: LPC, UL94V-0, black Grounding spring: Copper alloy, nickel-undercoated, gold-plated

**RoHS compliance** This product displays (LF)(SN) on a label.

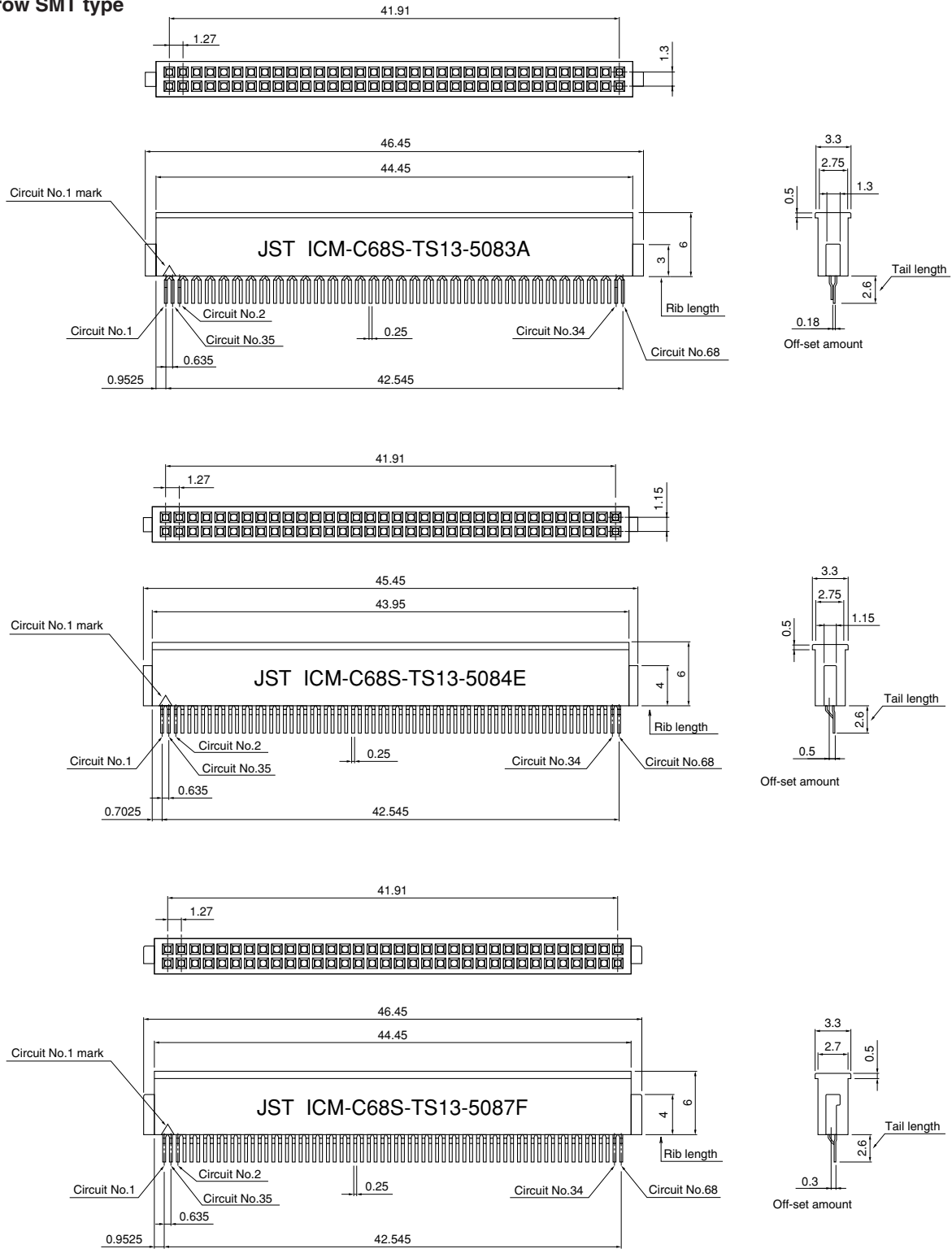
Note: 1. ICM-C68S-TS13-5033A, ICM-C68S-TS13-5034A and ICM-C68S-TS13-5073A are not UL/CSA approved.

2. ICM-C68S-TS13-6032 is not CSA approved

# PC CARD CONNECTOR C TYPE

## Socket

### Single-row SMT type



Circuits	Solder tail	Grounding spring	Off-set dimension(mm)	Rib length (mm)	Tail length (mm)	Model No.	Q'ty	Material and Finish
68	Single-row SMT type	Without	0.18	3.0	2.6	<b>ICM-C68S-TS13-5083A</b>	360 / box	Contact: Copper alloy, nickel-undercoated, Mating part: gold-plated Solder tail; tin-plated (reflow treatment) Housing: PA6T, UL94V-0, black
			0.5	4.0	2.6	<b>ICM-C68S-TS13-5084ET</b>	1,500 / reel	
			0.3	4.0	2.6	<b>ICM-C68S-TS13-5087FT</b>	1,500 / reel	

**RoHS compliance** This product displays (LF)(SN) on a label.

Note: 1. ICM-C68S-TS13-5084ET & ICM-C68S-TS13-5087FT are supplied on embossed-tape.

2. Not UL/CSA approved.



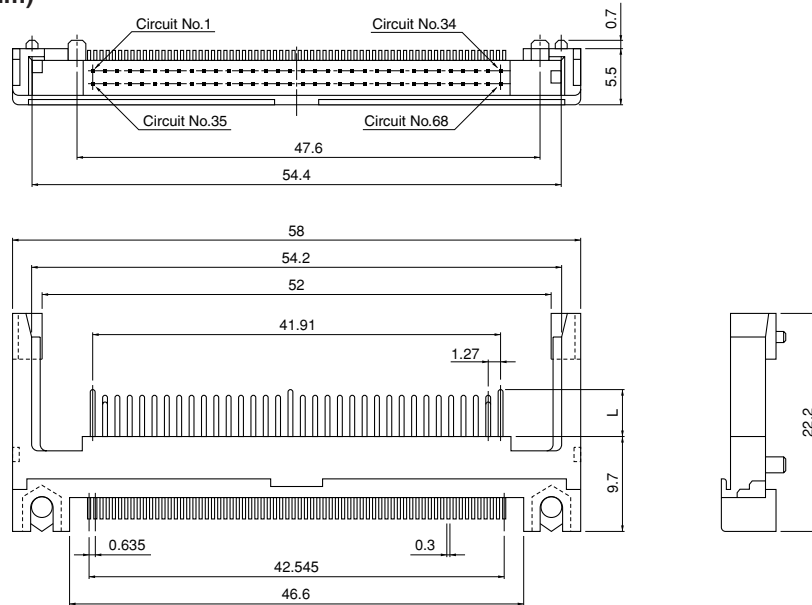




# PC CARD CONNECTOR C TYPE

## Header / SMT type for 3.3V (for Type III cards)

Reverse type (Stand off 0mm)



Circuits	Type	Model No.	Q'ty / box	Material and Finish
68	Reverse	ICM-C68H-S112-400R1	90	Contact: Phosphor bronze, nickel-undercoated, Mating part: gold-plated Solder tail: tin-plated (reflow treatment) Housing: PA6T, UL94V-0, black

Dimension L

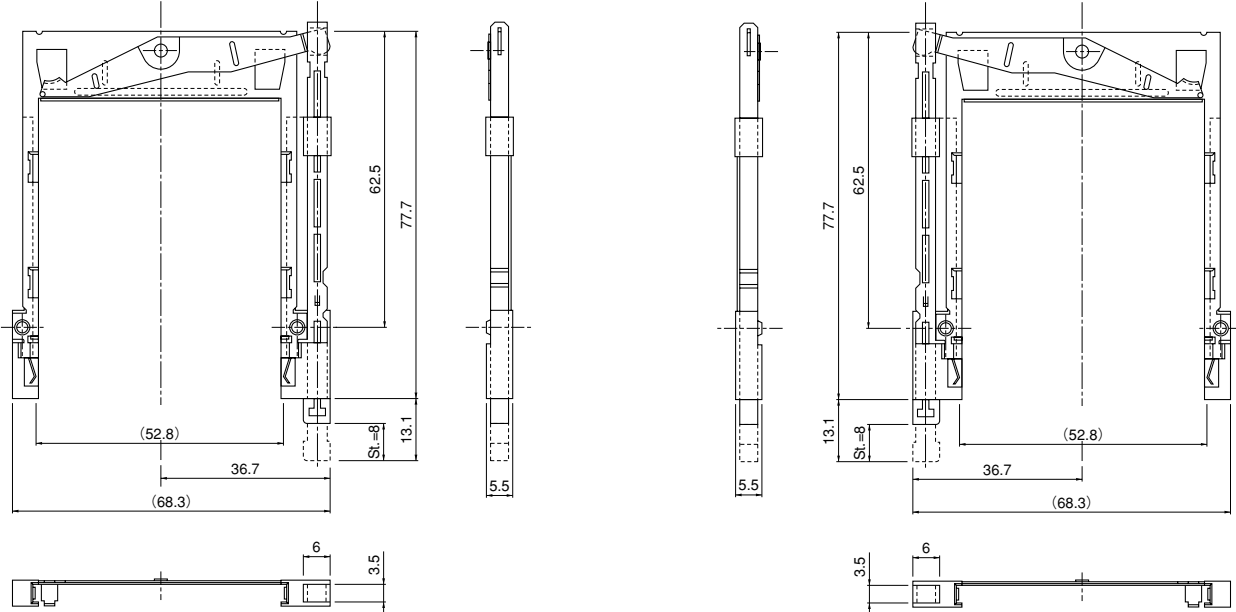
Circuit No.	Dimensions (mm)
1, 17, 34, 35, 51, 68	5.0 ±0.1
2 to 16, 18 to 33, 37 to 50, 52 to 66	4.25 ±0.1
36, 37	3.5 ±0.1

**RoHS compliance** This product displays (LF)(SN) on a label.  
Not UL/CSA approved.

## Ejector / SMT type (for Type III cards)

Right button (Stand off 0mm)

Left button (Stand off 0mm)



Stand off	Type	Model No.	Applicable header	Q'ty / box	Material and Finish
0 mm	Right button	ICME-C68R-300HA	ICM-C68H-S112-400R1	20	Guide bar, Push bar: PBT, UL94V-0 Frame, Rotating arm: Stainless Eyelet: Copper alloy
	Left button	ICME-C68L-300HA			

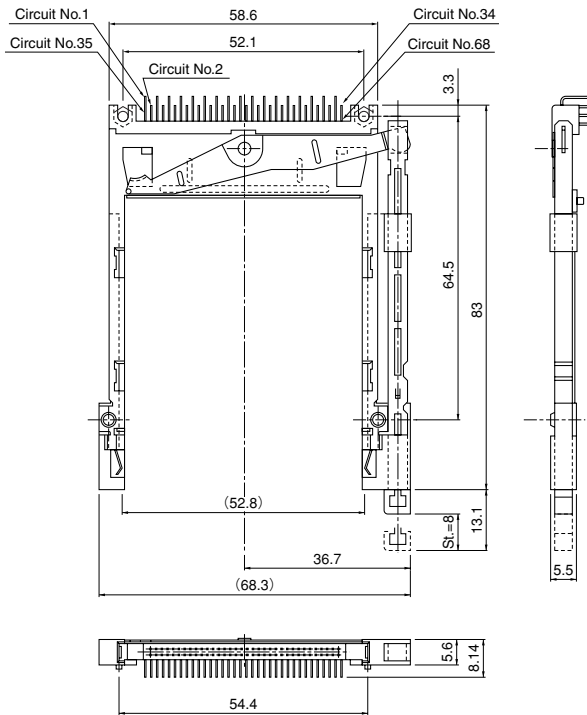
**RoHS compliance** Ejector displays  $\_A$  on a label. ( $\_$  shows space.)  
Application header displays (LF)(SN) on a label.

Not UL/CSA approved.

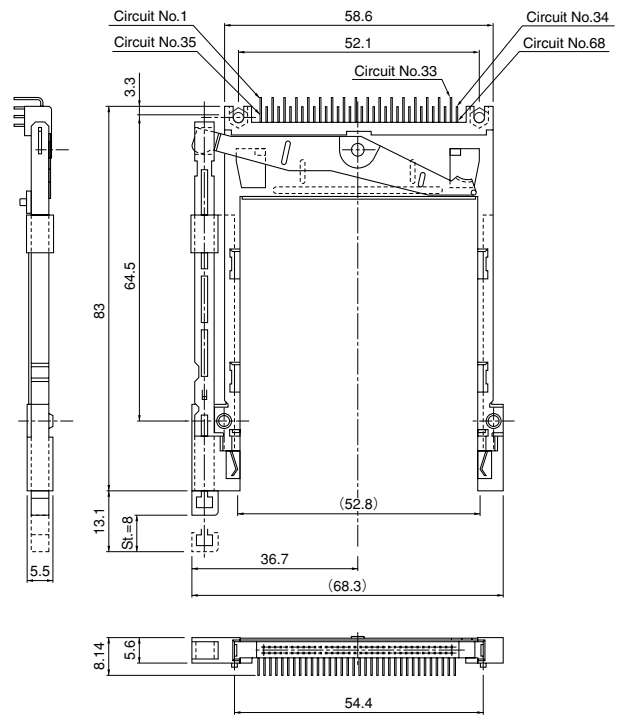
# PC CARD CONNECTOR C TYPE

## Ejector mounted header / Through-hole type for 3.3V (for Type III cards)

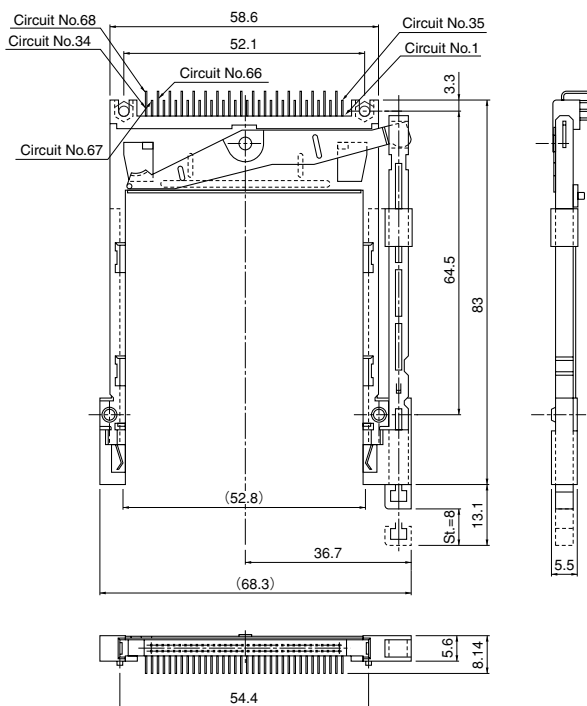
Right button (Stand off 0mm) Normal



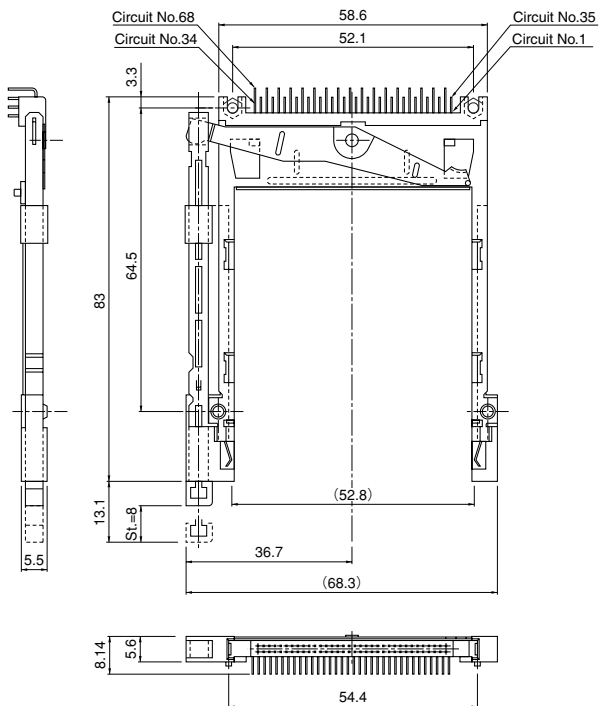
Left button (Stand off 0mm) Normal



Right button (Stand off 0mm) Reverse



Left button (Stand off 0mm) Reverse



Type		Model No.	Q'ty / box	Material and Finish	
Normal	Right button	ICME68H-R0-D1120NHA	—	Contact: Phosphor bronze, nickel-undercoated, Mating part; gold-plated Solder tail; tin-plated (reflow treatment) Housing: PBT, UL94V-0	Guide bar: PBT, UL94V-0 Frame: Stainless Rotating arm: Stainless Push bar: PBT, UL94V-0 Eyelet: Copper alloy
	Left button	ICME68H-L0-D1120NHA			
Reverse	Right button	ICME68H-R0-D1120RHA	—		
	Left button	ICME68H-L0-D1120RHA			

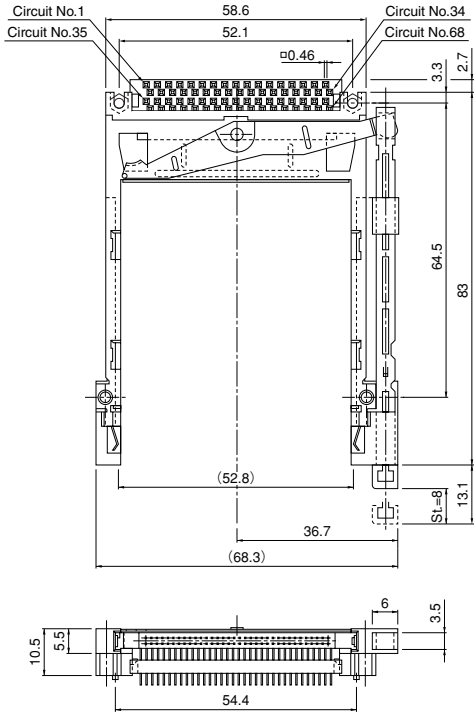
**RoHS compliance** This product displays (LF)(SN) A on a label.  
Not UL/CSA approved.



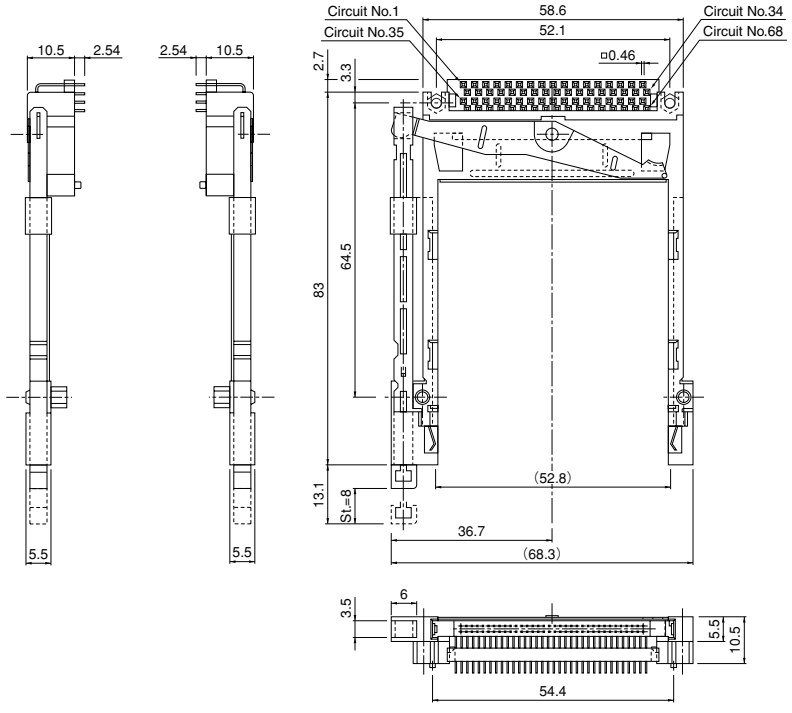
# PC CARD CONNECTOR C TYPE

## Ejector mounted header / Through-hole type for 3.3V (for Type III cards)

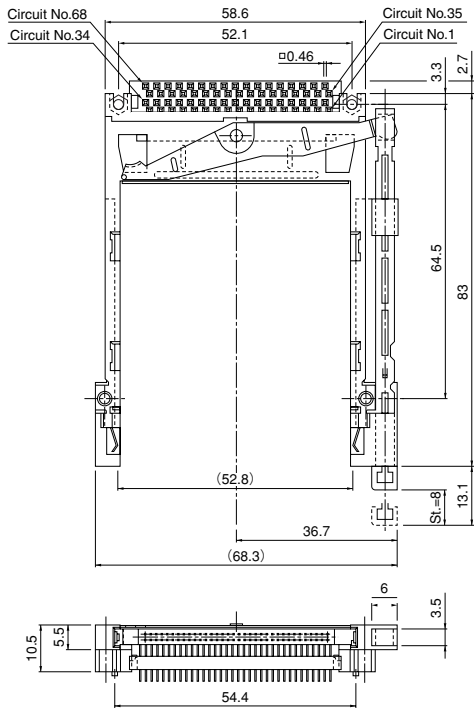
Right button (Stand off 5mm) Normal



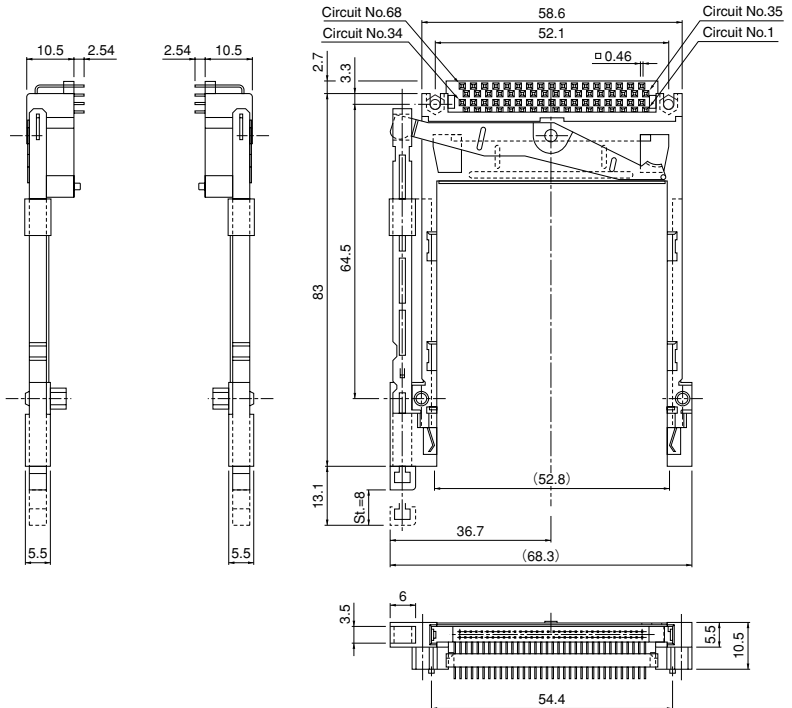
Left button (Stand off 5mm) Normal



Right button (Stand off 5mm) Reverse



Left button (Stand off 5mm) Reverse



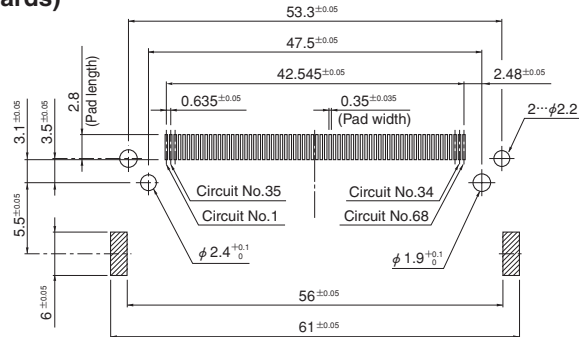
Type		Model No.	Q'ty / box	Material and Finish	
Normal	Right button	ICME68H-R0-D1121NHA	—	Contact: Phosphor bronze, nickel-undercoated, Mating part: gold-plated Solder tail: tin-plated (reflow treatment) Housing: PBT, UL94V-0 Locator: PBT, UL94V-0	Guide bar: PBT, UL94V-0 Frame: Stainless Rotating arm: Stainless Push bar: PBT, UL94V-0 Eyelet: Copper alloy
	Left button	ICME68H-L0-D1121NHA			
Reverse	Right button	ICME68H-R0-D1121RHA	—		
	Left button	ICME68H-L0-D1121RHA			

RoHS compliance This product displays (LF)(SN) A on a label.  
Not UL/CSA approved.

# PC CARD CONNECTOR C TYPE

## PC board layout (viewed from component side)

**Header/SMT type (for Type I, II cards)**  
(Refer to Note 2 below)



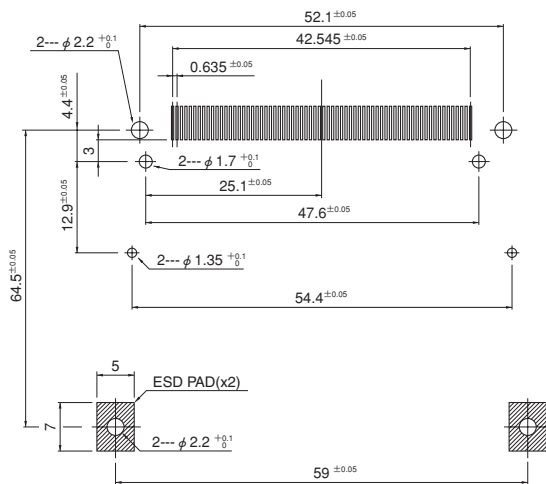
Note: 1. Tolerances are non-cumulative:  $\pm 0.05\text{mm}$  for all centers.

2. This layout is applied to the headers Model Nos. ICM-C68H-SS1A-4103/-4104/-4108T/-4109T.

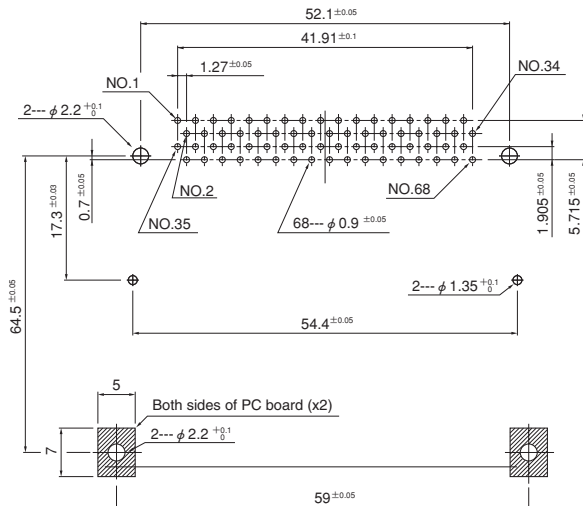
3. Hole dimensions differ according to the kind of PC board and piercing method. The dimensions above should serve as a guideline. Contact JST for details.

## PC board layout (viewed from component side)

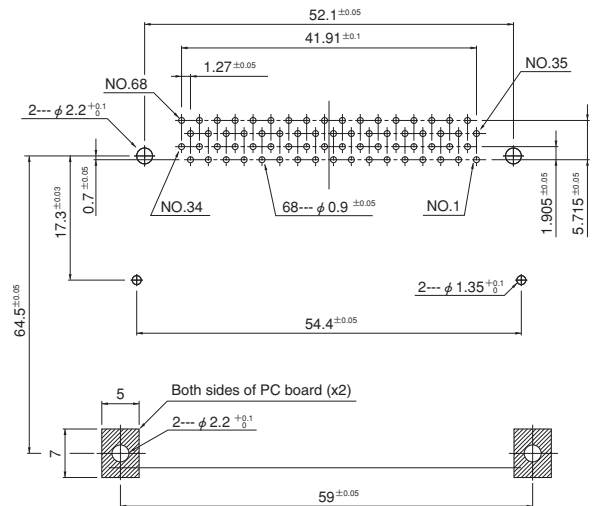
**SMT type/Stand off 0mm Type III cards**  
(Refer to Note 3 below)



**Through-hole type/Type III cards Normal type**  
(Refer to Note 4 below)



**Through-hole type/Type III cards Reverse type**  
(Refer to Note 5 below)



Note: 1. Hole dimensions differ according to the kind of PC board and piercing method. The dimensions above should serve as a guideline. Contact JST for details.

2. Tolerances are non-cumulative:  $\pm 0.05\text{mm}$  for all centers.

3. This layout is applied to the header Model No. ICM-C68H-S112-400R1 and to ejectors Model No. ICME-C68L-300HA/C68R-300HA.

4. This layout is applied to the ejector mounted headers Model No. ICME68H-R0-D1120NHA/L0-D1120NHA/R0-D1121NHA/L0-D1121NHA.

5. This layout is applied to the ejector mounted headers Model No. ICME68H-R0-D1120RHA/L0-D1120RHA/R0-D1121RHA/L0-D1121RHA.