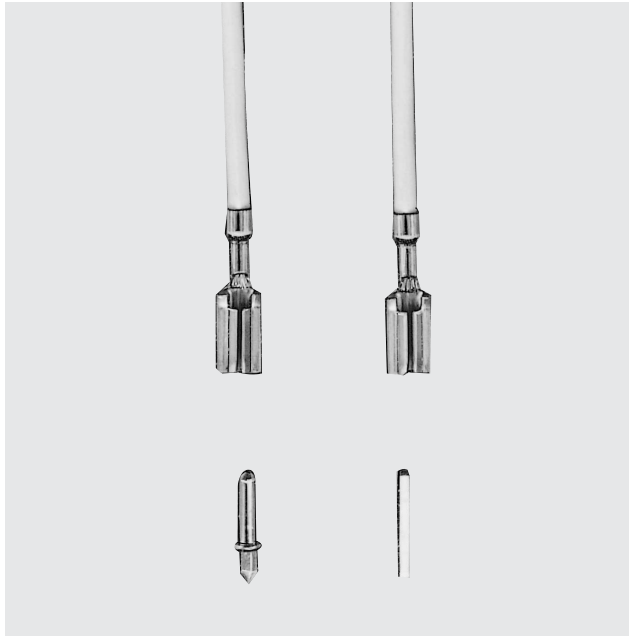


SDF TERMINAL

Crimp style terminals for 1.3mm diameter and 1.0mm square contacts



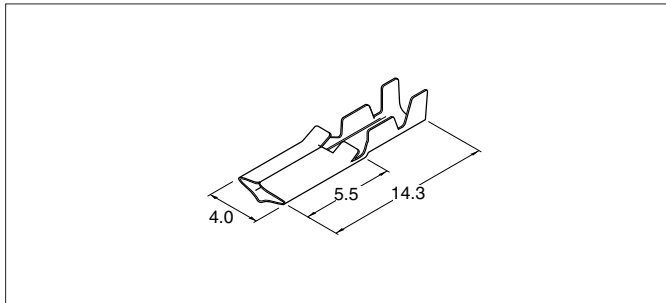
This terminal is used for 1.3mm diameter and 1.0mm square contacts. It can connect wires on high-density printed circuit boards in the same manner as JST's SMF connectors.

The terminal provides a high pressure connection to the post for exceptional reliability.

Specifications

- Current rating: 5A AC, DC
- Temperature range: -25°C to +85°C
(including temperature rise in applying electrical current)
- Contact resistance: Initial value/10m Ω max.
After environmental testing/15m Ω max.
- Applicable wire: AWG #24 to #20
- Applicable PC board thickness: 1.6mm
- * Compliant with RoHS.
- * Refer to "General Instruction and Notice when using Terminals and Connectors" at the end of this catalog.
- * Contact JST for details.

Terminal



Model No.	Applicable wire			Applicable pin and post	Qty/ reel
	mm ²	AWG #	Insulation O.D.(mm)		
SDF-01T-1.0A	0.2 to 0.5	24 to 20	1.5 to 2.7	WR-1009	6,500
SDF-01T-1.3AS				RT-01T-1.3B	

Material and Finish

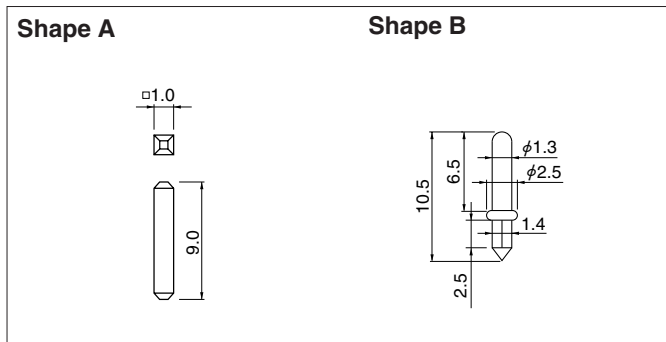
Brass, tin-plated (reflow treatment)

RoHS compliance

Note:

Contact JST if you require shielded wires or other special wires, or if two leads must be crimped in one contact.

Pin and post



Model No.	Shape	Applicable PC board		Qty / box
		Thickness (mm)	Hole diameter (mm) [Reference]	
WR-1009 (1.0X9)	A	1.6	1.30 ± 0.05	20,000
RT-01T-1.3B	B	1.6	1.25 ± 0.05	15,000

Material and Finish

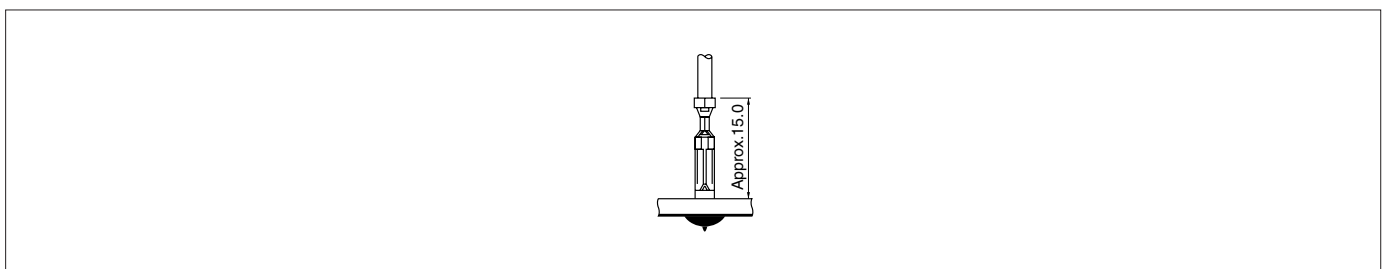
WR-1009: Brass, copper-undercoated, tin-plated (reflow treatment)
RT-01T-1.3B: Brass, nickel-undercoated, tin/copper alloy-plated

RoHS compliance WR-1009(1.0X9) displays (LF)(SN) on a label.
RT-01T-1.3B displays (LF) on a label.

Note:

Hole dimensions may differ according to the kind of PC board and piercing method.

Assembly layout



Crimping machine, Applicator

Contact	Crimping machine	Crimp applicator	Dies	Crimp applicator with dies
SDF-01T-1.0A SDF-01T-1.3AS	AP-K2N	MKS-L	MK/SDF-01-13A	APLMK SDF01-13A
		-	-	-