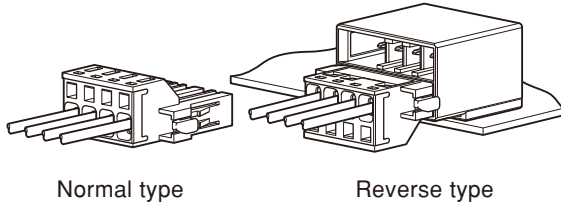
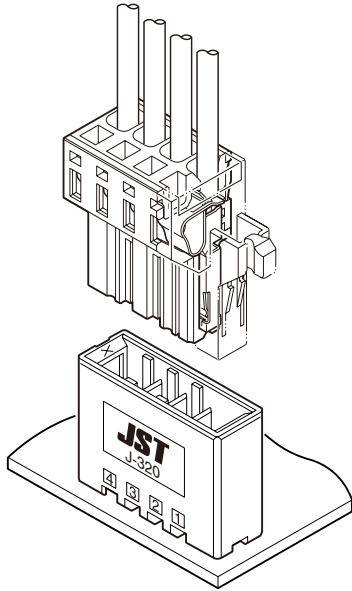


# JFA CONNECTOR J-FAT SPRING TYPE

5.08mm pitch/Disconnectable Spring Terminal connectors(Terminal block type)



- No crimp tool is necessary.
- Mating with the JFA J320S/J320M

## Specifications

- Current rating: Refer to the following matrix table.
- Voltage rating: 300V AC, DC
- Temperature range: -55°C to +105°C  
(including temperature rise in applying electrical current)
- Applicable wire: AWG #18 to #14 (0.82 to 2.0mm<sup>2</sup>)

\*Contact JST for details.

\*Compliant with RoHS.

### Current rating

Unit: A

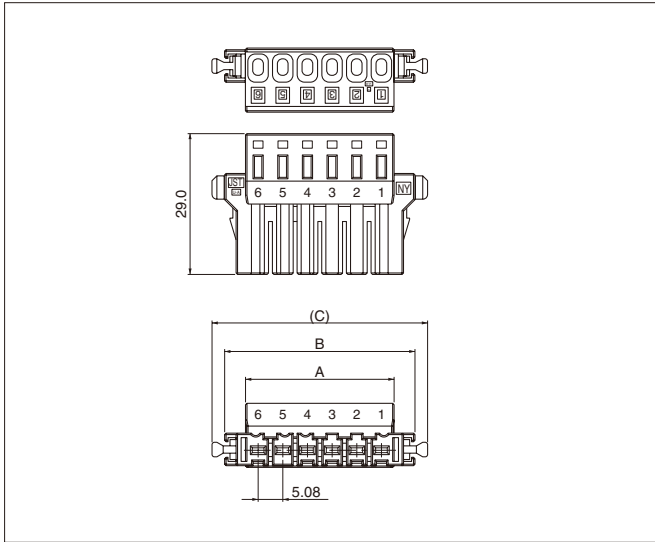
Circuits	Wire size (AWG)		
	#14	#16	#18
3	12.0	11.25	10.0
4	12.0	11.25	10.0
5	11.25	10.5	9.5
6	10.5	9.75	9.0

## Standards

Ⓜ Recognized E239668 (J-FAT-S-i)

# J300 SERIES/J-FAT-S-i

## Receptacle assembly (Normal type)



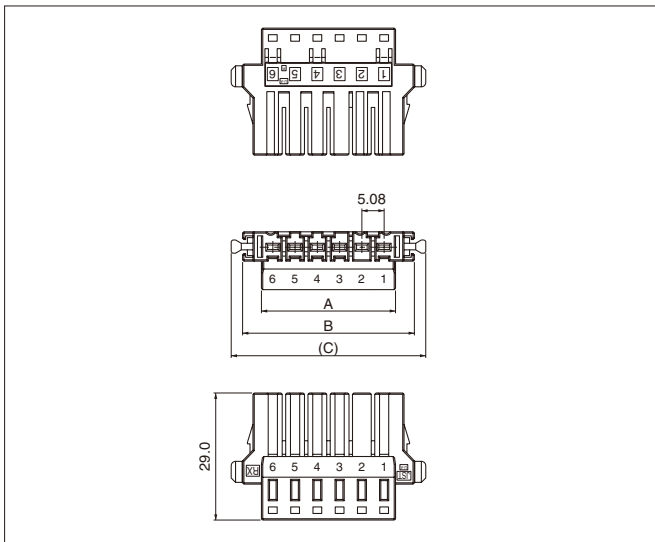
Circuits	Keying	Model No.	Dimensions (mm)			Q'ty / box
			A	B	(C)	
3	X	—	15.36	23.96	29.16	280
	Y	<b>03JFAT-SAYGF-I</b>				
4	X	—	20.44	29.04	34.24	245
	Y	<b>04JFAT-SAYGF-I</b>				
5	X	—	25.52	34.12	39.32	—
	Y	<b>05JFAT-SAYGF-I</b>				
6	X	—	30.60	39.20	44.40	175
	Y	<b>06JFAT-SAYGF-I</b>				

### Material and Finish

Tab contact: Copper alloy, nickel-undercoated, selective gold-plated  
Housing: Glass-filled PBT, UL94V-0, black  
Cover: Glass-filled PBT, UL94V-0, black  
Spring: Stainless

**RoHS compliance**

## Receptacle assembly (Reverse type)



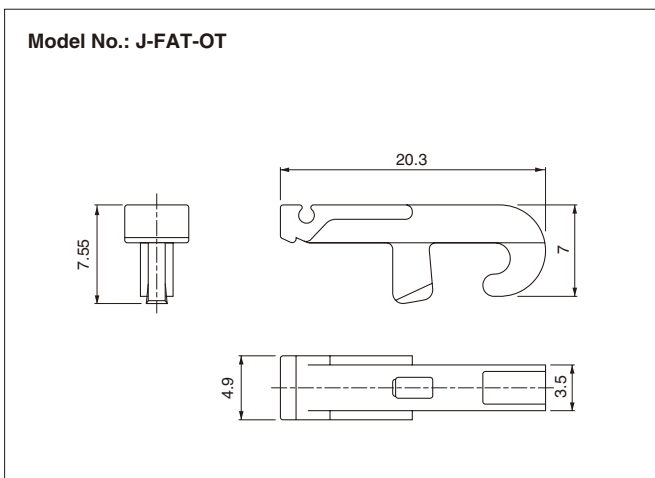
Circuits	Keying	Model No.	Dimensions (mm)			Q'ty / box
			A	B	(C)	
3	X	—	15.36	23.96	29.16	280
	Y	<b>03JFAT-SBYGF-I</b>				
4	X	<b>04JFAT-SBXGF-I</b>	20.44	29.04	34.24	245
	Y	—				
5	X	<b>05JFAT-SBXGF-I</b>	25.52	34.12	39.32	210
	Y	—				
6	X	<b>06JFAT-SBXGF-I</b>	30.60	39.20	44.40	175
	Y	—				

### Material and Finish

Tab contact: Copper alloy, nickel-undercoated, selective gold-plated  
Housing: Glass-filled PBT, UL94V-0, black  
Cover: Glass-filled PBT, UL94V-0, white  
Spring: Stainless

**RoHS compliance**

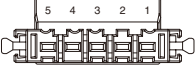
## Open tool




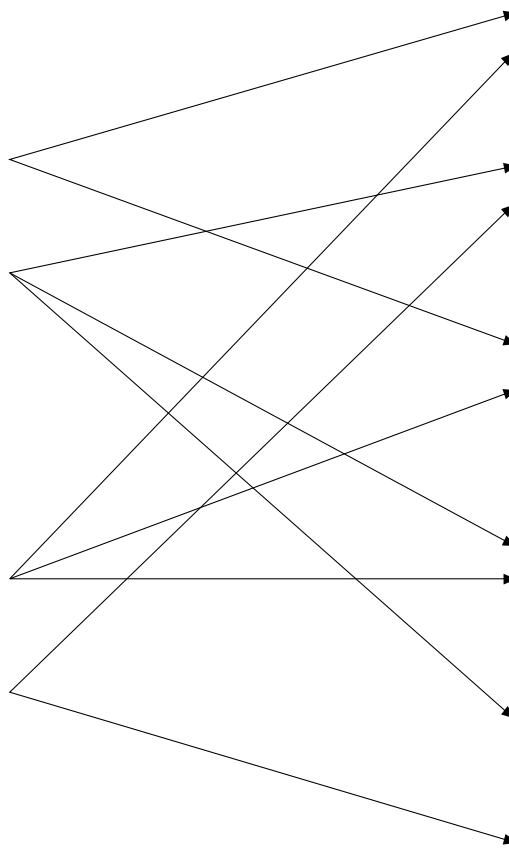
**RoHS compliance**

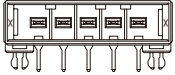
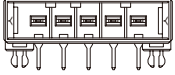
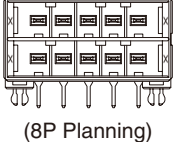
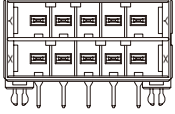
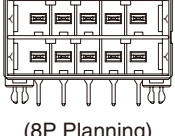
## List of combinations

J-FAT-S-i is used with the following combinations.

J-FAT-S-i Normal type	
X Keying	Planning
Y Keying	

J-FAT-S-i Reverse type	
X Keying	 (3P Planning)
Y Keying	Planning (3P Exist)



	J320S X Keying
	J320S Y Keying
	J320M X-X Keying (8P Planning)
	J320M X-Y Keying
	J320M Y-Y Keying (8P Planning)

# JFA CONNECTOR/J300 SERIES

## Model number identification

### Receptacle contact

**S F3 F - 41 GF - P 2.0**

Form: S...Strip form, B...Loose piece  
L...Loose piece with curled barrels

Series name

Kind of terminal: F...Receptacle contact

Applicable wire: 002...AWG #28 ~ #24, 01...AWG #24 ~ #20  
41...AWG #20 ~ #16, 71...AWG #16 ~ #14

Surface finish: GF...Nickel-undercoated, 0.38 $\mu$ m selective gold-plated  
Gl...Nickel-undercoated, 0.76 $\mu$ m selective gold-plated  
T...Tin-plated (Reflow treatment)

Material: P...Copper alloy

Terminal size

### Tab contact

**S F3 M - 41 GF - M 2.0 N**

Form: S...Strip form, B...Loose piece  
L...Loose piece with curled barrels

Series name

Kind of terminal: M...Tab contact

Applicable wire: 01...AWG #24 ~ #20, 41...AWG #20 ~ #16  
71...AWG #16 ~ #14

Surface finish: GF...Nickel-undercoated, 0.38 $\mu$ m selective gold-plated  
Gl...Nickel-undercoated, 0.76 $\mu$ m selective gold-plated  
T...Tin-plated (Reflow treatment)

Material: M...Copper alloy

Terminal size

Sequential identification

### Receptacle housing

**F31 F S S - 03 V - K X**

Series name

Type of connector: F...Receptacle housing

Rows: S...Single-row  
D...Double-row with 5.08mm line pitch  
M...Double-row with 7.62mm line pitch  
F...Quadruple-row with 5.08mm line pitch

Configuration: S...Side locking, C...Center locking

No. of circuits: 1 ~ 6, 8, 10, 12, 16, 20

Flammability: V...UL94V-0

Color indication: K...Black, S...White, E...Blue

Keying: X...X-Keying, Y...Y-Keying, XX...XX-Keying  
YY...YY-Keying, XY...XY-Keying, Blank...Without Keying No.

### Tab housing

**F31 M S F - 03 V - K X**

Series name

Kind of terminal: M...Tab housing

Rows: S...Single-row, D...Double-row with 5.08mm line pitch  
M...Double-row with 7.62mm line pitch

Configuration: F...Free hanging, P...Panel mounting

No. of circuits: 1 ~ 6, 8, 10, 12, 16, 20

Flammability: V...UL94V-0

Color indication: K...Black, S...White, E...Blue

Keying: X...X-Keying, Y...Y-Keying, XX...XX-Keying  
YY...YY-Keying, XY...XY-Keying, Blank...Without Keying No.

### Header

**B 05 B - F31 S K - GG X R**

PC board mounting direction:  
B...Top entry type  
S...Side entry type  
BC...Top & center locking  
SC...Side & center locking

No. of circuits: 2 ~ 6, 8, 10, 12, 16, 20

Product name: Header

Series name

Rows: S...Single-row  
D...Double-row with 5.08mm line pitch  
M...Double-row with 7.62mm line pitch  
T...Triple-row with 7.62mm line pitch  
F...Quadruple-row with 5.08mm line pitch

Color indication: K...Black, S...White, E...Blue

Surface finish: GG...Nickel-undercoated, 0.38 $\mu$ m selective gold-plated  
GK...Nickel-undercoated, 0.76 $\mu$ m selective gold-plated  
T...Tin-plated (Reflow treatment)

Keying: X...X-Keying, Y...Y-Keying, XX...XX-Keying, YY...YY-Keying,  
XY...XY-Keying, XA...XXX-Keying, XB...XXY-Keying,  
XC...XYX-Keying, XD...YYX-Keying, Blank...Without Keying No.

Packaging form: R...Tray, M...Magazine stick

### Receptacle assembly

**03 JFAT - SA Y GF - I**

No. of circuits: 3 ~ 6

Series name

Mating type: SA...Normal type, SB...Reverse type

Keying: X...X-Keying, Y...Y-Keying

Surface finish: GF...Nickel-undercoated, 0.38 $\mu$ m selective gold-plated

Shape: I...I type

### Tab housing assembly

**P 18B-F36T K - GF A R**

PC board mounting direction: Panel mounting type

No. of circuits - Assembly: 9, 12, 18, 24

Series name: F36T...J360T, F35D...J350DC

Color indication: K...Black

Surface finish: GF...Nickel-undercoated, 0.38 $\mu$ m selective gold-plated

Configuration: A...Direct mounting type, AF...Direct mounting without housing cover type,  
Blank...Panel mounting type

Packaging form: R...Tray