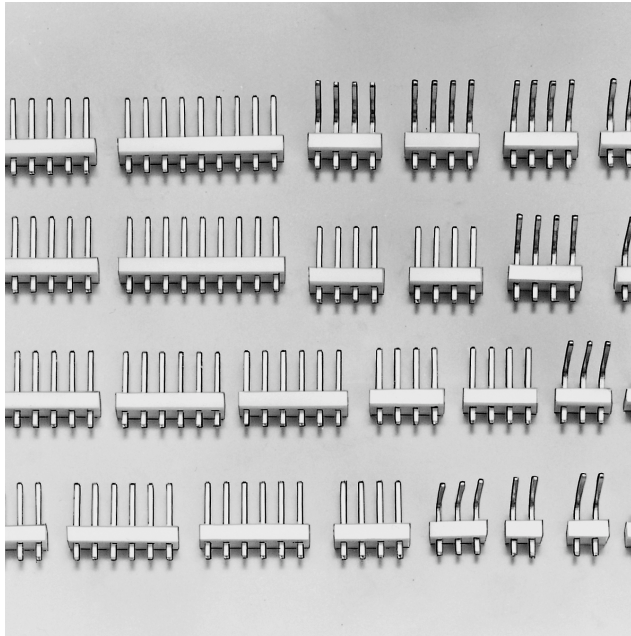
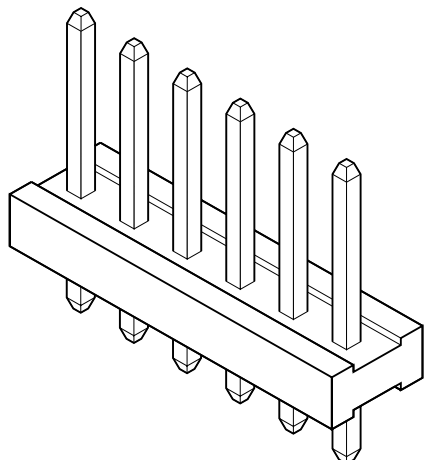


# VS HEADER

Headers



*This header can mate with a receptacle or as a connector for the direct interconnection of printed circuit boards.*



## Specifications

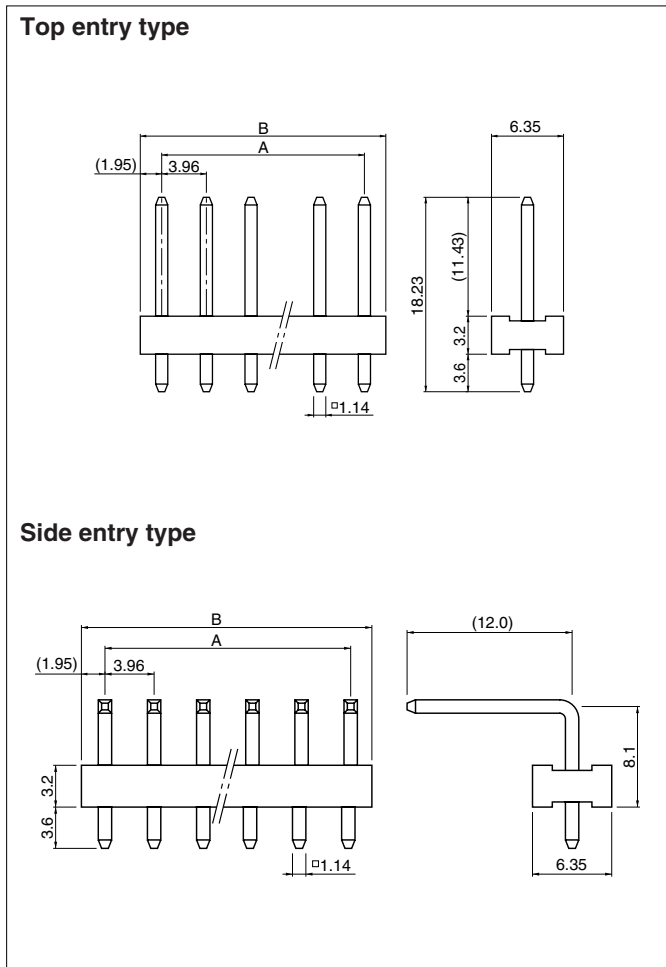
- Post: Brass, copper-undercoated, tin-plated (reflow treatment)
- Wafer: PA 66, UL94V-0 (natural)
- Pitch: 3.96mm
- \* Compliant with RoHS.
- \* Refer to "General Instruction and Notice when using Terminals and Connectors" at the end of this catalog.
- \* Contact JST for details.

## Standards

 Recognized E60389

 Certified LR20812

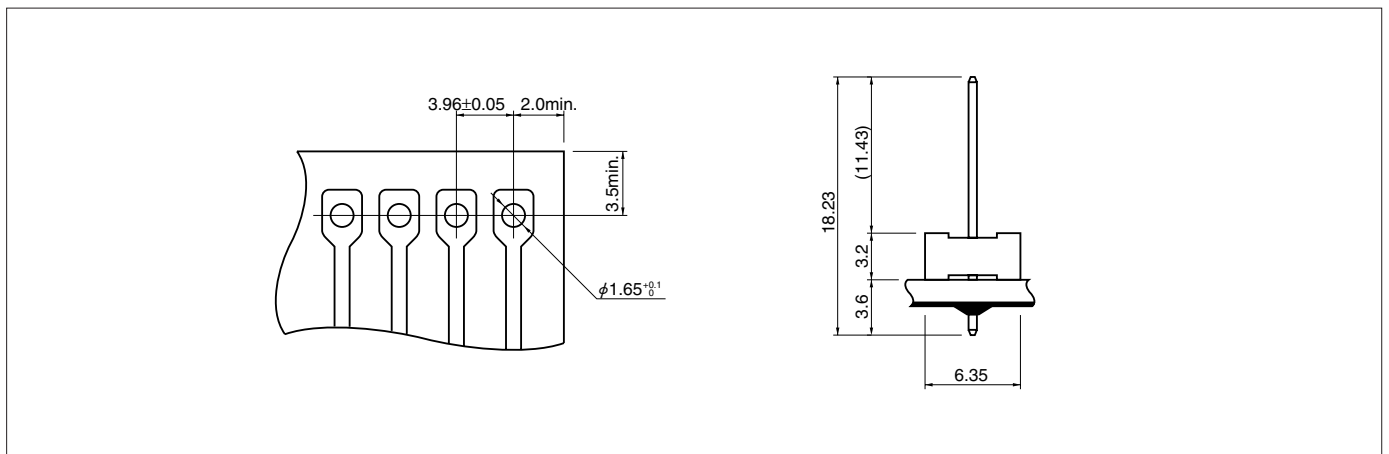
## Header



| Cir-<br>cuits | Model No.      |                 | Dimensions (mm) |       |
|---------------|----------------|-----------------|-----------------|-------|
|               | Top entry type | Side entry type | A               | B     |
| 2             | <b>B 2P-VS</b> | <b>B 2PS-VS</b> | 3.96            | 7.86  |
| 3             | <b>B 3P-VS</b> | <b>B 3PS-VS</b> | 7.92            | 11.82 |
| 4             | <b>B 4P-VS</b> | <b>B 4PS-VS</b> | 11.88           | 15.78 |
| 5             | <b>B 5P-VS</b> | <b>B 5PS-VS</b> | 15.84           | 19.74 |
| 6             | <b>B 6P-VS</b> | <b>B 6PS-VS</b> | 19.80           | 23.70 |
| 7             | <b>B 7P-VS</b> | <b>B 7PS-VS</b> | 23.76           | 27.66 |
| 8             | <b>B 8P-VS</b> | <b>B 8PS-VS</b> | 27.72           | 31.62 |
| 9             | <b>B 9P-VS</b> | <b>B 9PS-VS</b> | 31.68           | 35.58 |
| 10            | <b>B10P-VS</b> | <b>B10PS-VS</b> | 35.64           | 39.54 |
| 11            | <b>B11P-VS</b> | <b>B11PS-VS</b> | 39.60           | 43.50 |
| 12            | <b>B12P-VS</b> | <b>B12PS-VS</b> | 43.56           | 47.46 |
| 13            | <b>B13P-VS</b> | <b>B13PS-VS</b> | 47.52           | 51.42 |
| 14            | <b>B14P-VS</b> | <b>B14PS-VS</b> | 51.48           | 55.38 |
| 15            | <b>B15P-VS</b> | <b>B15PS-VS</b> | 55.44           | 59.34 |

**RoHS compliance** This product displays (LF)(SN) on a label.

## PC board layout (viewed from soldering side) and Assembly layout



**Note:**

1. Tolerances are non-cumulative:  $\pm 0.05$  mm for all centers.
2. Hole dimensions differ according to the kind of PC board and piercing method. The dimensions above should serve as a guideline. Contact JST for details.