

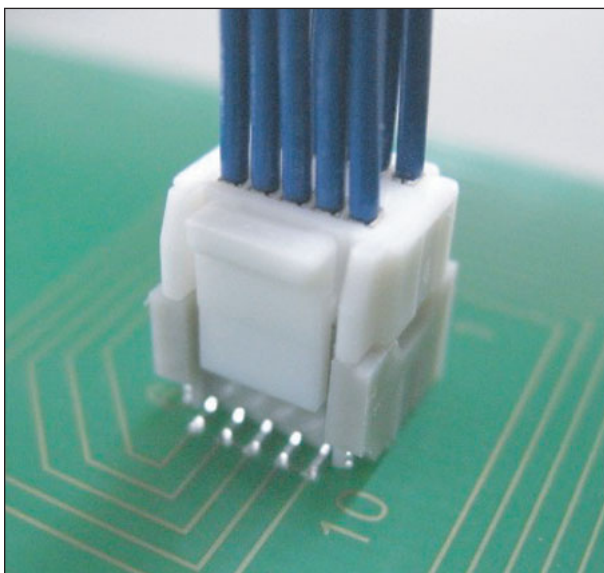
# NEW PRODUCT

For W to B connection

## SFD CONNECTOR

1.1 mm Pitch

This SFD connector is a wire to board connector used for power supply of LED backlight LCD television set and multiple mounting enables.



### ■ Features

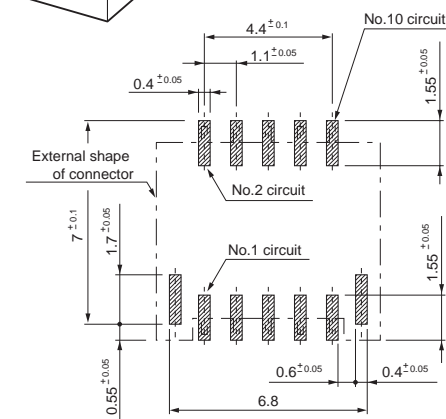
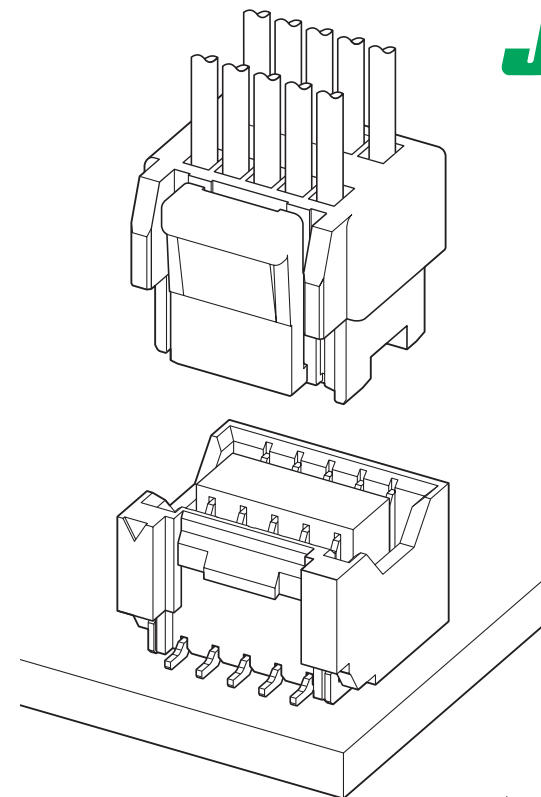
● *Secure lock*

● *Halogen free*

### ■ Specifications

- Current rating : 1.0A AC,DC (AWG#28)
- Voltage rating : 50V AC,DC
- Temperature range : -25°C to +85°C  
(including temperature rise in applying electrical current)
- Contact resistance : Initial value /20mΩ max.  
After environmental testing /40mΩ max.
- Insulation resistance : 100MΩ min.
- Withstanding voltage : AC500V / 1minute
- Applicable wire : Wire range  
/AWG #32 to AWG #28
- No. of Circuits : 10 -circuit
- Part number: : SSFD-003T-P0.2  
: BM10B-SFDH (HF)  
: SFDR-10V-S (HF)

# JST



P.C.B Layout

## J.S.T. MFG. CO., LTD.

<http://www.jst-mfg.com>