



inserts:	page:
CD 64 poles + ⊕	59
CT, CTS (10A) *) ... 64 poles + ⊕	65
CDD 108 poles + ⊕	72
CDS 42 poles + ⊕	81
CSH 24 poles + ⊕	94
CNE, CSE 24 poles + ⊕	107
CCE 24 poles + ⊕	113
CSS 24 poles + ⊕	125
CT, CTSE (16A) *) .. 24 poles + ⊕	133
CQE 46 poles + ⊕	141
CQEE 64 poles + ⊕	147
CMCE 10+2 (aux) poles + ⊕	152
CMSH 10+2 (aux) poles + ⊕	153
CX 4/8 and 6/6 poles + ⊕	173 and 175
MIXO 6 modules	179-215

*) can be used only in bulkhead mounting housings

insert centre distance: 104 x 27 mm

bulkhead mounting housings with single lever



lever in stainless steel

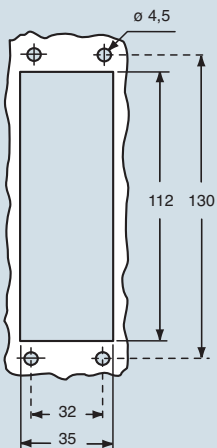
bulkhead mounting housings with single lever



lever in stainless steel

description	part No.	part No.
with lever, size "104.27"	CVI 24 L	
with lever and cover in aluminium, size "104.27"		CVI 24 LS
with lever and cover in plastic, size "104.27"		CVI 24 LP

panel cut-out for bulkhead mounting housings in mm



NB:
The enclosures ensure IP66 protection (or IP65 cover versions) rating when mated and locked with the closing levers.



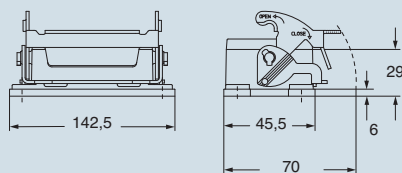
CAVUS® Type 4/4X/12
(except enclosures with plastic cover)



dimensions shown are not binding and may be changed without notice

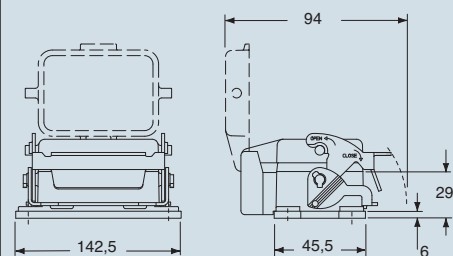
dimensions in mm

CVI L



dimensions in mm

CVI LS/LP



V-TYPE - size 77.27



inserts:	page:
CD 64 poles + ⊕	59
CDD 108 poles + ⊕	72
CDS 42 poles + ⊕	81
CSH 24 poles + ⊕	94
CNE, CSE 24 poles + ⊕	107
CCE 24 poles + ⊕	113
CSS 24 poles + ⊕	125
CQE 46 poles + ⊕	141
CQEE 64 poles + ⊕	147
CMCE 10+2 (aux) poles + ⊕	152
CMSH 10+2 (aux) poles + ⊕	153
CX 4/8 and 6/6 poles + ⊕	173 and 175
MIXO 6 modules	179-215

insert centre distance:
104 x 27 mm

surface mounting housings
with single lever

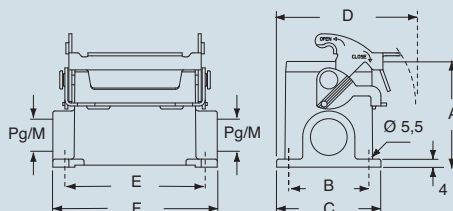


lever in
stainless
steel

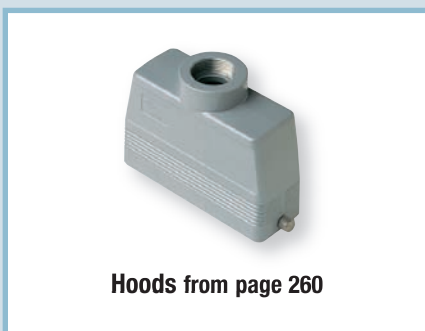
description	part No.	entry	part No.	entry
		Pg		M
with lever, size "104.27"	CVP 24 L	21	MVP 24 L25	25
with lever, size "104.27"	CVP 24 L2	21 x 2	MVP 24 L225	25 x 2
with lever, high construction, size "104.27"	CVAP 24 L21	21	MVAP 24 L32	32
with lever, high construction, size "104.27"	CVAP 24 L221	21 x 2	MVAP 24 L232	32 x 2
with lever, high construction, size "104.27"	CVAP 24 L29	29	MVAP 24 L40	40
with lever, high construction, size "104.27"	CVAP 24 L229	29 x 2	MVAP 24 L240	40 x 2

dimensions in mm

CVP L - CVAP L and MVP L - MVAP L



type	A	B	C	D	E	F
CVP/MVP 24 L	63	45	57	75.5	132	144
CVAP/MVAP 24 L	80	45	57	75.5	132	144



CRUS® Type 4/4X/12



dimensions shown are not binding
and may be changed without notice

V-TYPE - size 77.27



inserts:	page:
CD 64 poles + ⊕	59
CDD 108 poles + ⊕	72
CDS 42 poles + ⊕	81
CSH 24 poles + ⊕	94
CNE, CSE 24 poles + ⊕	107
CCE 24 poles + ⊕	113
CSS 24 poles + ⊕	125
CQE 46 poles + ⊕	141
CQEE 64 poles + ⊕	147
CMCE 10+2 (aux) poles + ⊕	152
CMSH 10+2 (aux) poles + ⊕	153
CX 4/8 and 6/6 poles + ⊕	173 and 175
MIXO 6 modules	179-215

insert centre distance:
104 x 27 mm

surface mounting housings
with single lever and plastic cover



lever in stainless steel

surface mounting housings
with single lever and aluminium cover



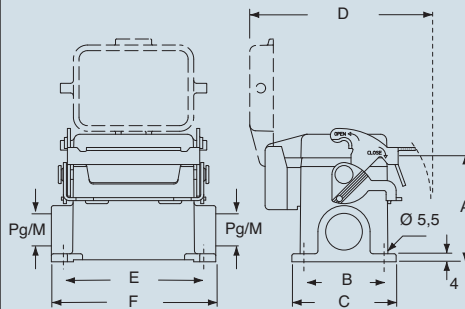
lever in stainless steel

description	part No.		part No.		part No.		part No.	
	entry Pg	entry M	entry Pg	entry M	entry Pg	entry M	entry Pg	entry M
with lever and cover, size "104.27"	CVP 24 LP	21	MVP 24 LP25	25	CVP 24 LS	21	MVP 24 LS25	25
with lever and cover, size "104.27"	CVP 24 LP2	21 x 2	MVP 24 LP225	25 x 2	CVP 24 LS2	21 x 2	MVP 24 LS225	25 x 2
with lever and cover, high construction, size "104.27"	CVAP 24 LP21	21	MVAP 24 LP32	32	CVAP 24 LS	21	MVAP 24 LS32	32
with lever and cover, high construction, size "104.27"	CVAP 24LP221	21 x 2	MVAP 24LP232	32 x 2	CVAP 24 LS2	21 x 2	MVAP 24LS232	32 x 2
with lever and cover, high construction, size "104.27"	CVAP 24 LP29	29	MVAP 24 LP40	40	CVAP 24 LS29	29	MVAP 24 LS40	40
with lever and cover, high construction, size "104.27"	CVAP 24LP229	29 x 2	MVAP 24LP240	40 x 2	CVAP 24LS229	29 x 2	MVAP 24LS240	40 x 2

NB:
The enclosures ensure IP66 protection (or IP65 cover versions) rating when mated and locked with the closing levers.

dimensions in mm

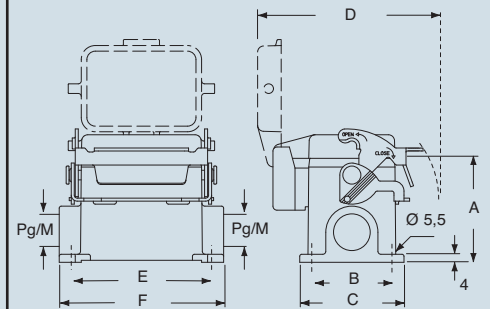
CVP LP - CVAP LP and MVP LP - MVAP LP



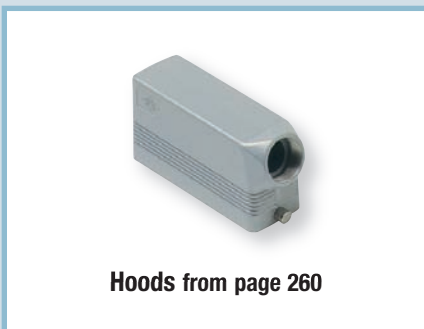
type	A	B	C	D	E	F
CVP/MVP 24 LP	63	45	57	94	132	144
CVAP/MVAP 24 LP	80	45	57	94	132	144

dimensions in mm

CVP LS - CVAP LS and MVP LS - MVAP LS



type	A	B	C	D	E	F
CVP/MVP 24 LS	63	45	57	94	132	144
CVAP/MVAP 24 LS	80	45	57	94	132	144



CALUS® Type 4/4X/12
(except enclosures with plastic cover)



dimensions shown are not binding
and may be changed without notice

V-TYPE - size 77.27



inserts:	page:
CD 64 poles + ⊕	59
CDD 108 poles + ⊕	72
CDS 42 poles + ⊕	81
CSH 24 poles + ⊕	94
CNE, CSE 24 poles + ⊕	107
CCE 24 poles + ⊕	113
CSS 24 poles + ⊕	125
CQE 46 poles + ⊕	141
CQEE 64 poles + ⊕	147
CMCE 10+2 (aux) poles + ⊕	152
CMSH 10+2 (aux) poles + ⊕	153
CX 4/8 and 6/6 poles + ⊕	173 and 175
MIXO 6 modules	179-215

insert centre distance:
104 x 27 mm

hoods top entry
with gasket and 1 lever



lever in stainless steel

hoods, top entry,
with gasket and 2 levers

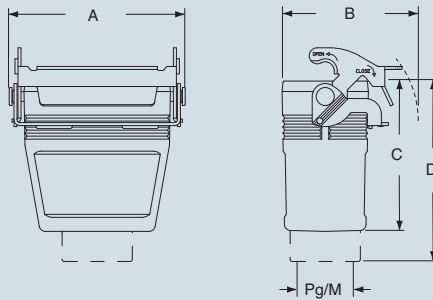


lever in stainless steel

description	part No.		entry		part No.		entry	
			Pg	M			Pg	M
with lever/s, size "104.27"	CVV 24 LG	21	MVV 24 LG32	32	CVV 24 G	21	MVV 24 G32	32
with lever/s, high construction, size "104.27"	CVAV 24 LG21	21	MVAV 24 LG25	25	CVAV 24 G21	21	MVAV 24 G25	25
with lever/s, high construction, size "104.27"	CVAV 24 LG29	29	MVAV 24 LG32	32	CVAV 24 G29	29	MVAV 24 G32	32
with lever/s, high construction, without adapter, size "104.27"	CVFV 24 LG21	21	MVFV 24 LG25	25	CVFV 24 G21	21	MVFV 24 G25	25
with lever/s, high construction, without adapter, size "104.27"	CVFV 24 LG29	29	MVFV 24 LG32	32	CVFV 24 G29	29	MVFV 24 G32	32

dimensions in mm

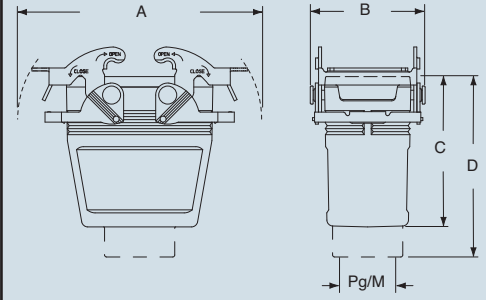
CVV LG - CVAV LG - CVFV LG and
MVV LG - MVAV LG - MVFV LG



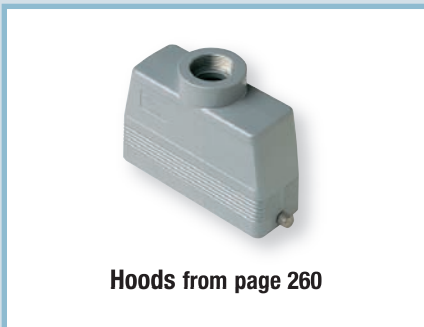
type	A	B	C	D
CVV/MVV 24 LG	134	68	60.5	73.5
CVAV/MVAV 24 LG	134	68	81	97
CVFV/MVFV 24 LG	134	68	81	—

dimensions in mm

CVV G - CVAV G - CVFV G and
MVV G - MVAV G - MVFV G



type	A	B	C	D
CVV/MVV 24 G	169	57	60.5	73.5
CVAV/MVAV 24 G	169	57	81	97
CVFV/MVFV 24 G	169	57	81	—



Type
CRLUS 4/4X/12



dimensions shown are not binding
and may be changed without notice

V-TYPE - size 77.27