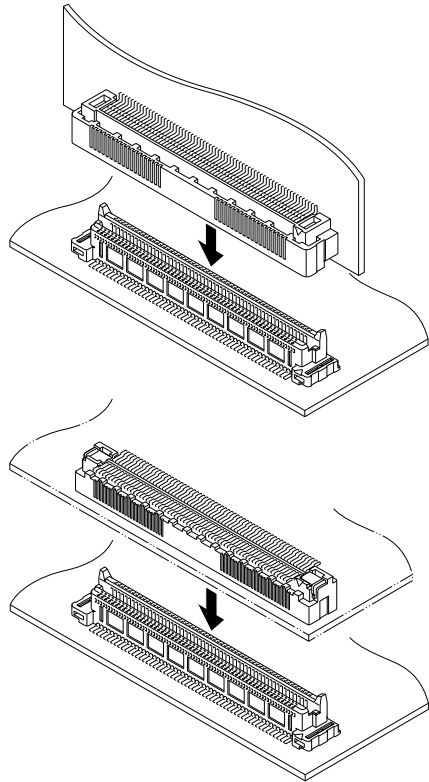




JUX CONNECTOR

0.6mm pitch/Board-to-board connectors



This connector is small 0.6mm pitch double-row board-to-board connector for high density mounting. This plug is available in top and side entry type to choose either connection type depending on its usage.

- With guide system for mating
- Outstanding click feeling when mating
- Space saving
- Vertical and horizontal mounting

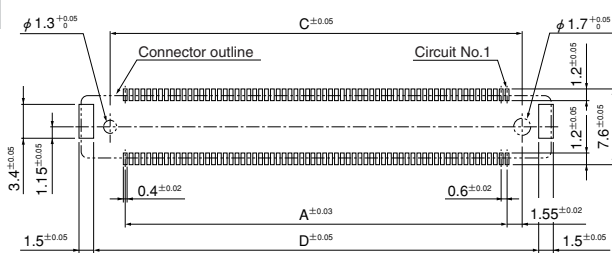
Specifications

- Current rating: 0.5A AC, DC
- Voltage rating: 50V AC, DC
- Temperature range: -25°C to +85°C
(including temperature rise in applying electrical current)
- Contact resistance: Initial value/50m Ω max.
After environmental testing/100m Ω max.
- Insulation resistance: 50M Ω min.
- Withstanding voltage: 100V AC/minute
- Applicable PC board thickness: 1.6mm max.
- Compliant with RoHS.
- * Refer to "General Instruction and Notice when using Terminals and Connectors" at the end of this catalog.
- * Contact JST for details.

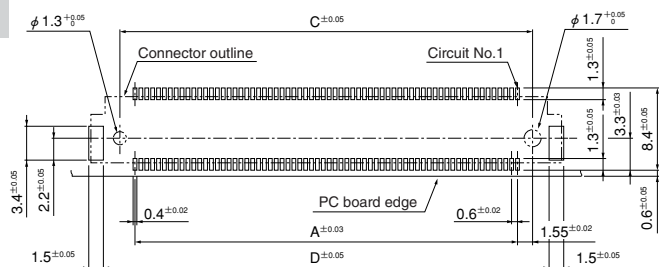
PC board layout (viewed from component side)

Plug

Top entry type

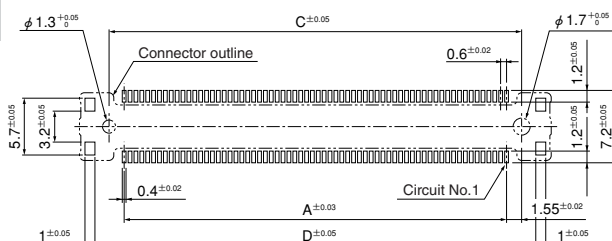


Side entry type



Receptacle

Top entry type



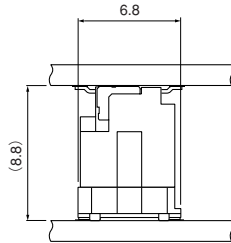
Circuits	Plug						Receptacle		
	Top entry type			Side entry type			Top entry type		
	A	C	D	A	C	D	A	C	D
52	—	—	—	15.0	18.1	21.5	15.0	18.1	20.9
140	41.4	44.5	47.9	41.4	44.5	47.9	41.4	44.5	47.3

Note: 1. Tolerances are non-cumulative: ±0.03mm for all centers.
2. The dimensions above should serve as a guideline. Contact JST for details.

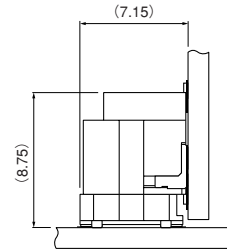
JUX CONNECTOR

Assembly layout

Top entry type

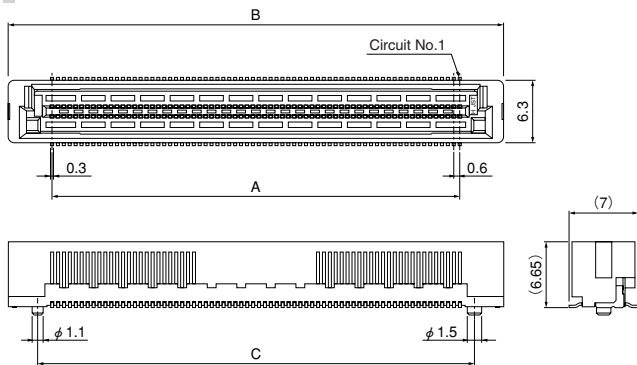


Side entry type

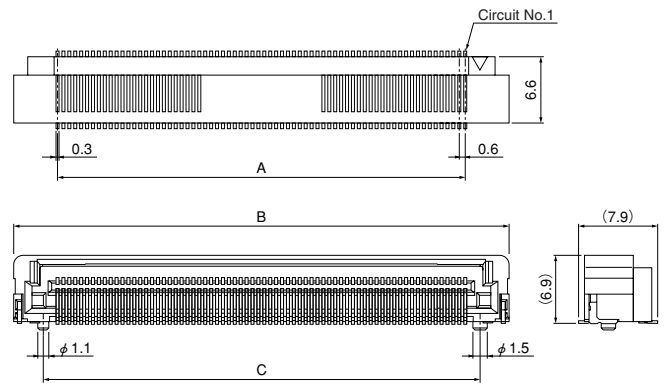


Plug

Top entry type



Side entry type



Top entry type

Circuits	Model No.		Dimensions (mm)			Q'ty / box
	With boss	Without boss	A	B	C	
140	140P-JUXK-G-B- (*)	140P-JUXK-G- (*)	41.4	50.4	44.5	630

Material and Finish

Contact: Copper alloy, nickel-undercoated, gold-plated
 Housing: LCP, UL94V-0, black
 Solder tab: Copper alloy, copper-undercoated, tin-plated (reflow treatment)

RoHS compliance This product displays (LF)(SN) on a label.

Note: Products with suction tape are also available.

(*) : None ... Without suction tape

T ... With suction tape

Side entry type

Circuits	Model No.		Dimensions (mm)			Q'ty / box
	With boss	Without boss	A	B	C	
52	52PS-JUXK-G-B	52PS-JUXK-G	15.0	24.0	18.1	1,134
140	140PS-JUXK-G-B	140PS-JUXK-G	41.4	50.4	44.5	630

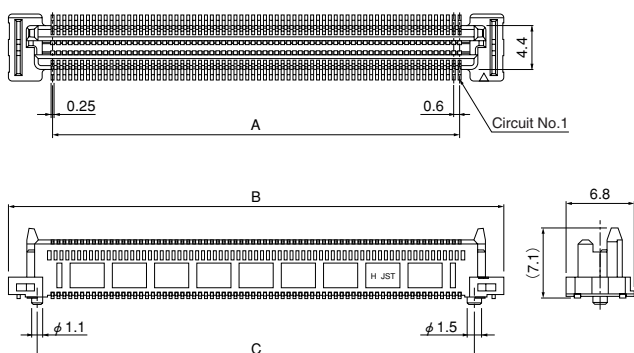
Material and Finish

Contact: Copper alloy, nickel-undercoated, gold-plated
 Housing: LCP, UL94V-0, black
 Solder tab: Copper alloy, copper-undercoated, tin-plated (reflow treatment)

RoHS compliance This product displays (LF)(SN) on a label.

Receptacle

Top entry type



Circuits	Model No.		Dimensions (mm)			Q'ty / box
	With boss	Without boss	A	B	C	
52	52R-JUXK-G-B- (*)	52R-JUXK-G- (*)	15.0	24.0	18.1	1,134
140	140R-JUXK-G-B- (*)	140R-JUXK-G- (*)	41.4	50.4	44.5	630

Material and Finish

Contact: Copper alloy, nickel-undercoated, gold-plated
 Housing: LCP, UL94V-0, black
 Solder tab: Copper alloy, copper-undercoated, tin-plated (reflow treatment)

RoHS compliance This product displays (LF)(SN) on a label.

Note: Products with suction tape are also available.

(*) : None ... Without suction tape

T ... With suction tape