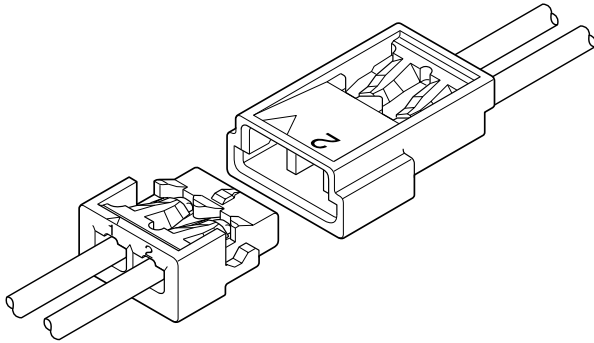


# ACH CONNECTOR

**1.2mm pitch/Disconnectable Crimp style Wire-to-wire connectors**



***This is the wire-to-wire connector for DC power supply compatible with the ACH connector for PC board.***

- Connector for DC power supply
- Common use with the existing socket contact of ACH connector

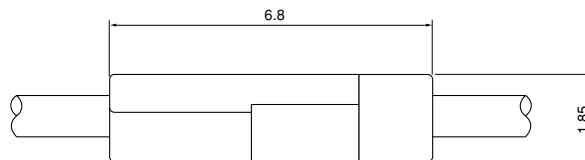
## Specifications

- Current rating: 2A AC, DC
  - Voltage rating: 50V AC, DC
  - Temperature range: -25°C to +85°C  
(including temperature rise in applying electrical current)
  - Contact resistance: Initial value/ 10m  $\Omega$  max.  
After environmental testing/ 20m  $\Omega$  max.
  - Insulation resistance: 100M  $\Omega$  min.
  - Withstanding voltage: 500V AC/minute
  - Applicable wire: Conductor size/ AWG #30 to #28  
Insulation O.D./ 0.5 to 0.63mm
- \* Compliant with RoHS.  
\* Refer to "General Instruction and Notice when using Terminals and Connectors" at the end of this catalog.  
\* Contact JST for details.

## Standards

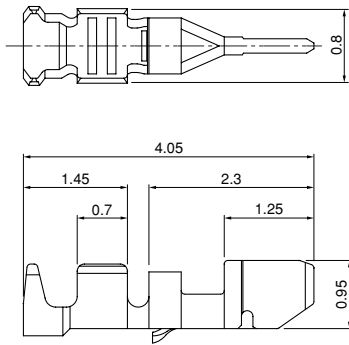
Recognized E60389

Certified LR20812

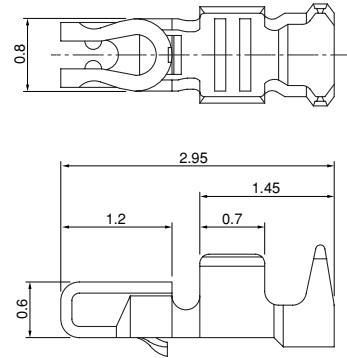


## Contact

### Plug contact



### Socket contact



Model No.		Applicable wire		Insulation O.D. (mm)	Q'ty / reel
Plug contact	Socket contact	mm <sup>2</sup>	AWG #		
<b>SACHP-003G-P0.2</b>	<b>SACH-003G-P0.2</b>	0.05~0.08	30~28	0.5~0.63	30,000

### Material and Finish

Copper alloy, nickel-undercoated, gold-plated

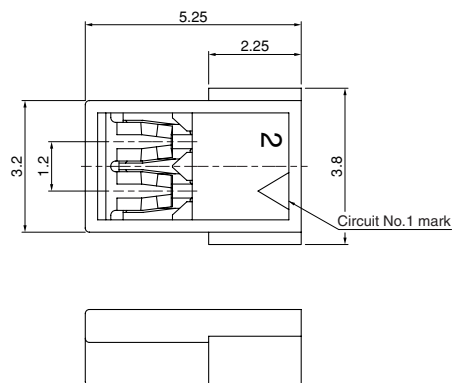
### RoHS compliance

Contact	Crimping machine	Applicator		
		Crimp applicator	Dies	Crimp applicator with dies
<b>SACHP-003G-P0.2</b>	AP-K2N	MKS-L-10-3	MK/SACHP-003-02	APLMK SACHP003-02
		—	—	—

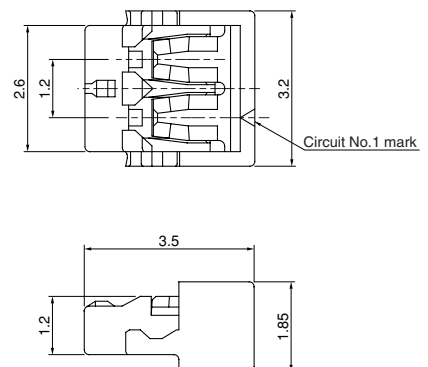
Contact	Crimping machine	Applicator		
		Crimp applicator	Dies	Crimp applicator with dies
<b>SACH-003G-P0.2</b>	AP-K2N	MKS-L-10-3	MK/SACH-003-02	APLMK SACH003-02
		—	—	—

## Housing

### Plug housing



### Socket housing



Model No.		Q'ty / box
Plug housing	Socket housing	
<b>ACHTP-02V-S</b>	<b>ACHTR-02V-S</b>	1,000

### Material

PBT, UL94V-0, natural (white)

### RoHS compliance