

PMT Panel Mount Power Supply

12V 100W 1 Phase / PMT-12V100W1A□□

PMT

Highlights & Features

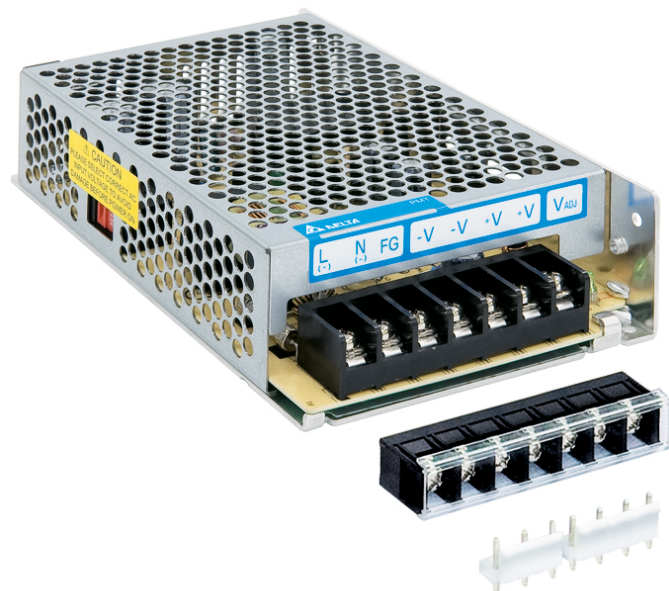
- AC input voltage range selectable by switch (85-132Vac, 176-264Vac)
- Conforms to harmonic current IEC/EN 61000-3-2, Class A
- High MTBF > 700,000 hrs as per Telcordia SR-332
- Versatile configuration options (Enclosed, L Frame)
- Versatile connector options (Terminal Block, Front Face, Harness)

Safety Standards



CB Certified for worldwide use

Model Number: PMT-12V100W1A□□
Unit Weight: 0.36 kg (0.79 lb)
Dimensions (L x W x D): 158 x 97 x 38 mm
 (6.22 x 3.82 x 1.50 inch)



General Description

The new PMT series of panel mount power supplies is the latest offering from one of the world's largest power supply manufacturers and solution providers - Delta. The product offers a wide operating temperature range from -10°C to +70°C and can withstand shock and vibration requirements (in accordance to IEC 60068-2-27 and IEC 60068-2-6 respectively). In addition to features like overvoltage and overload protections, Delta's PMT series of panel mount power supplies is unlike many other brands in the same price level. The PMT series is designed for cost competitive markets without compromising the quality of the components and product specifications. The series of products has an expected life time of 10 years. This versatile series has three different connector options (Terminal Block, Front Face and Harness) and can also be converted into L Frame (PML) type of power supplies to satisfy different application needs.

Model Information

PMT Panel Mount Power Supply

Model Number	Input Voltage Range	Rated Output Voltage	Rated Output Current
PMT-12V100W1A□□	85-132Vac, 176-264Vac (Selectable by Switch)	12Vdc	8.50A

Model Numbering

							CC Code**
PM	□ –	12V	100W	1	A	□	□
Panel Mount	Product Type T – Enclosed L – L Frame*	Output Voltage	Output Power	Single Phase	No PFC	Connector Type A – Terminal Block G – Front Face* H – Harness*	Blank – Without connector cover A – With connector cover B – With conformal coating

*Options

**For Enclosed type with Terminal Block

PMT Panel Mount Power Supply

12V 100W 1 Phase / PMT-12V100W1A□□

Specifications

Input Ratings / Characteristics

Nominal Input Voltage	100-120Vac, 200-240Vac (Selectable by Switch)	
Input Voltage Range	85-132Vac, 176-264Vac (Selectable by Switch)	
Nominal Input Frequency	50-60Hz	
Input Frequency Range	47-63Hz	
Input Current	< 2.00A @ 115Vac, < 1.20A @ 230Vac	
Efficiency at 100% Load	85.5% typ. @ 115Vac & 86.5% typ. @ 230Vac	
Max Power Dissipation	0% load	0.31W typ. @ 230Vac
	100% load	15.25W typ. @ 230Vac
Max Inrush Current (Cold Start)	< 36A @ 230Vac	
Leakage Current	< 0.5mA @ 240Vac	

Output Ratings / Characteristics*

Nominal Output Voltage	12Vdc
Factory Set Point Tolerance	12Vdc \pm 1%
Output Voltage Adjustment Range	11.4-13.2Vdc
Output Current	8.50A (102W max.)
Output Power	102W
Line Regulation	\pm 0.5% typ. (@ 115-132Vac & 176-264Vac, 100% Load)
Load Regulation	\pm 0.5% typ. (@ 115-132Vac & 176-264Vac, 0-100% Load)
PARD** (20MHz)	< 120mVpp @ 0°C to 50°C < 240mVpp @ -10°C to 0°C
Rise Time	< 25ms @ nominal input (100% load)
Start-up Time	< 1000ms @ nominal input (100% load)
Hold-up Time	> 25ms @ 115Vac, > 30ms @ 230Vac (100% load)
Dynamic Response (Overshoot & Undershoot O/P Voltage)	\pm 5% @ 0-100% load (Slew Rate: 0.1A/ μ S, 50% duty cycle @ 5Hz)
Start-up with Capacitive Loads	8,000 μ F Max

*For power de-rating from 50°C to 70°C, see power de-rating on page 3.

**PARD is measured with an AC coupling mode, 5cm wires, and in parallel with 0.1 μ F ceramic capacitor & 47 μ F electrolytic capacitor.

PMT Panel Mount Power Supply

12V 100W 1 Phase / PMT-12V100W1A□□

Mechanical

Case Chassis / Cover	Aluminium / SGCC	
Dimensions (L x W x D)	158 x 97 x 38 mm (6.22 x 3.82 x 1.50 inch)	
Unit Weight	0.36 kg (0.79 lb)	
Indicator	Green LED (DC OK)	
Cooling System	Convection	
Terminal	PM□-12V100W1A□□	M3.5 x 7 Pins (Rated 300V/15A)
	PM□-12V100W1AG	M3.5 x 7 Pins (Rated 300V/20A)
	PM□-12V100W1AH	I/P (JWT): A3963WV2-5P-A O/P (JWT): A3963WV2-7P-U
Wire	PM□-12V100W1A□□	AWG 20-12
	PM□-12V100W1AG	
	PM□-12V100W1AH	AWG 20-18 (For the recommended Mating Connector and Terminal, please refer to the Table on Page 8)
Noise (1 Meter from power supply)	Sound Pressure Level (SPL) < 25dBA	

Environment

Surrounding Air Temperature	Operating	-10°C to +70°C
	Storage	-25°C to +85°C
Power De-rating	> 50°C de-rate power by 2.5% / °C < 115Vac de-rate power by 2.5% / 3V	
Operating Humidity	5 to 95% RH (Non-Condensing)	
Operating Altitude	0 to 5,000 Meters (16,400 ft.)	
Shock Test	Non-Operating	IEC 60068-2-27, Half Sine: 50G for a duration of 11ms, 3 times per direction, 18 times in total
Vibration	Non-Operating	IEC 60068-2-6, Random: 5Hz to 500Hz @ 2.09Grms, 20 min per axis for all X, Y, Z direction
Over Voltage Category	II	
Pollution Degree	2	

Protections

Overvoltage	115-135%, Hiccup Mode, Non-Latching (Auto-Recovery)
Overload / Overcurrent	110-150%, Hiccup Mode, Non-Latching (Auto-Recovery)
Over Temperature	< 70°C Surrounding Air Temperature @ 100% load, Non-Latching (Auto-Recovery)
Short Circuit	Hiccup Mode, Non-Latching (Auto-Recovery when the fault is removed)
Internal Fuse at L pin	T3.15AH
Degree of Protection	IPX0
Protection Against Shock	Class I with PE* connection

*PE: Primary Earth

PMT Panel Mount Power Supply

12V 100W 1 Phase / PMT-12V100W1A□□

Reliability Data

MTBF	> 700,000 hrs as per Telcordia SR-332 I/P: 115Vac, O/P: 100% load, Ta: 35°C
Expected Cap Life Time	10 years (115Vac, 50% load @ 40°C)

Safety Standards / Directives

Safety Entry Low Voltage		SELV (EN 60950-1)
Electrical Safety	TUV Bauart UL/cUL recognized CB Scheme CCC	EN 60950-1 UL 60950-1 and CSA C22.2 No. 60950-1 (File No. E131881) IEC 60950-1 GB4943
CE		In conformance with EMC Directive 2014/30/EU and Low Voltage Directive 2014/35/EU
Material and Parts		RoHS Directive 2011/65/EU Compliant
Galvanic Isolation	Input to Output	3.0KVac
	Input to Ground	1.5KVac
	Output to Ground	0.5KVac

EMC

Emissions (CE & RE)		CISPR 32, EN 55032, FCC Title 47: Class B
Immunity		
Electrostatic Discharge	IEC 61000-4-2	Level 4 Criteria A ¹⁾ Air Discharge: 15kV Contact Discharge: 8kV
Radiated Field	IEC 61000-4-3	Level 3 Criteria A ¹⁾ 80MHz-1GHz, 10V/M with 1kHz tone / 80% modulation
Electrical Fast Transient / Burst	IEC 61000-4-4	Level 3 Criteria A ¹⁾ 2kV
Surge	IEC 61000-4-5	Level 3 Criteria A ¹⁾ Common Mode ²⁾ : 2kV Differential Mode ³⁾ : 1kV
Conducted	IEC 61000-4-6	Level 3 Criteria A ¹⁾ 150kHz-80MHz, 10Vrms
Power Frequency Magnetic Fields	IEC 61000-4-8	Criteria A ¹⁾ 10A/Meter
Voltage Dips and Interruptions	IEC 61000-4-11	100% dip; 1 cycle (20ms); Self Recoverable
Low Energy Pulse Test (Ring Wave)	IEC61000-4-12	Level 3 Criteria A ¹⁾ Common Mode ²⁾ : 2kV Differential Mode ³⁾ : 1kV
Harmonic Current Emission		IEC/EN 61000-3-2, Class A
Voltage Fluctuation and Flicker		IEC/EN 61000-3-3

1) Criteria A: Normal performance within the specification limits

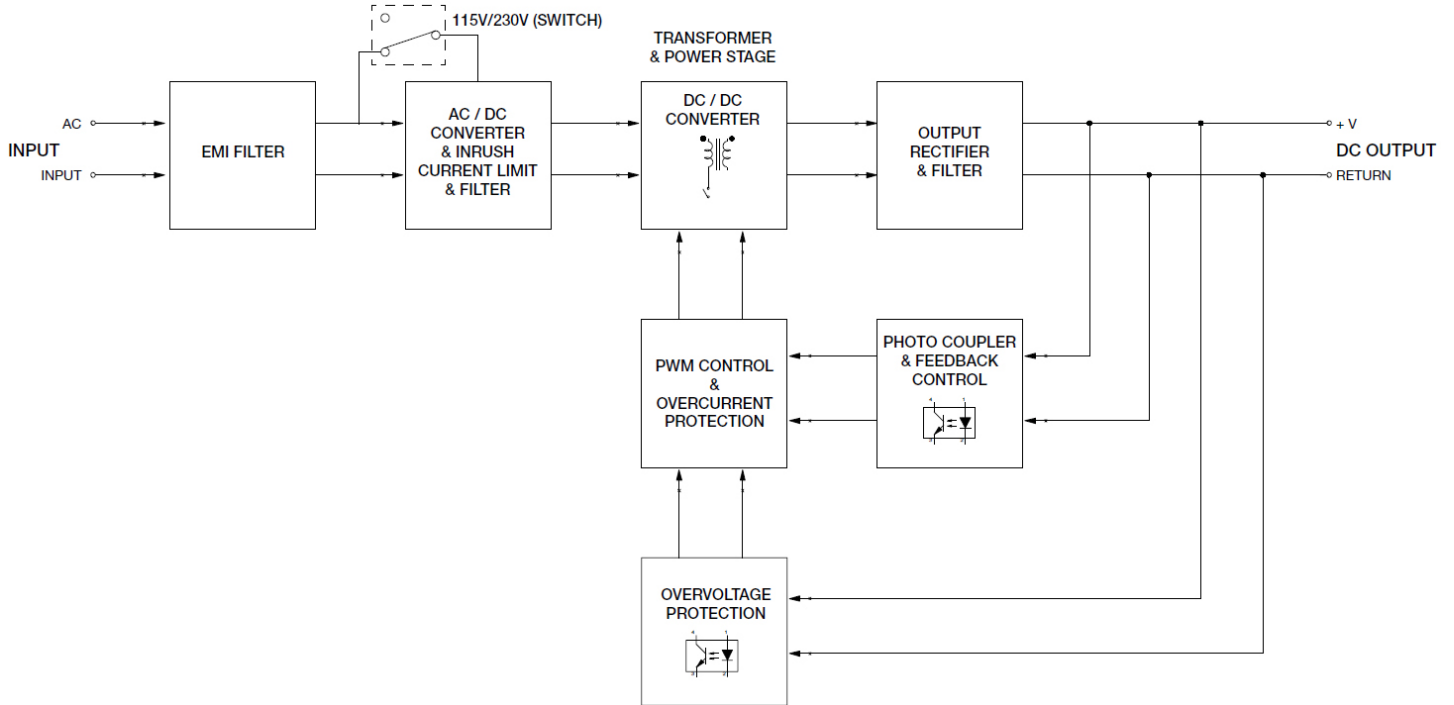
2) Asymmetrical: Common mode (Line to earth)

3) Symmetrical: Differential mode (Line to line)

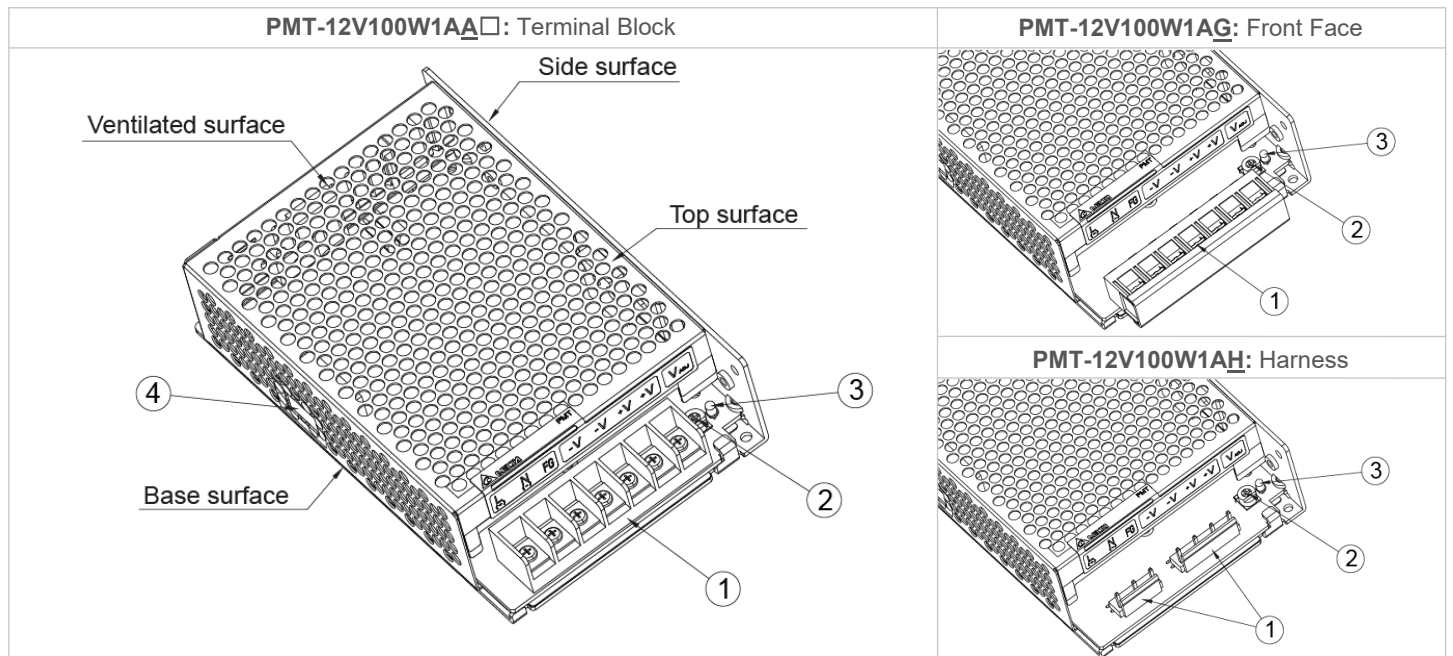
PMT Panel Mount Power Supply

12V 100W 1 Phase / PMT-12V100W1A□□

Block Diagram



Device Description



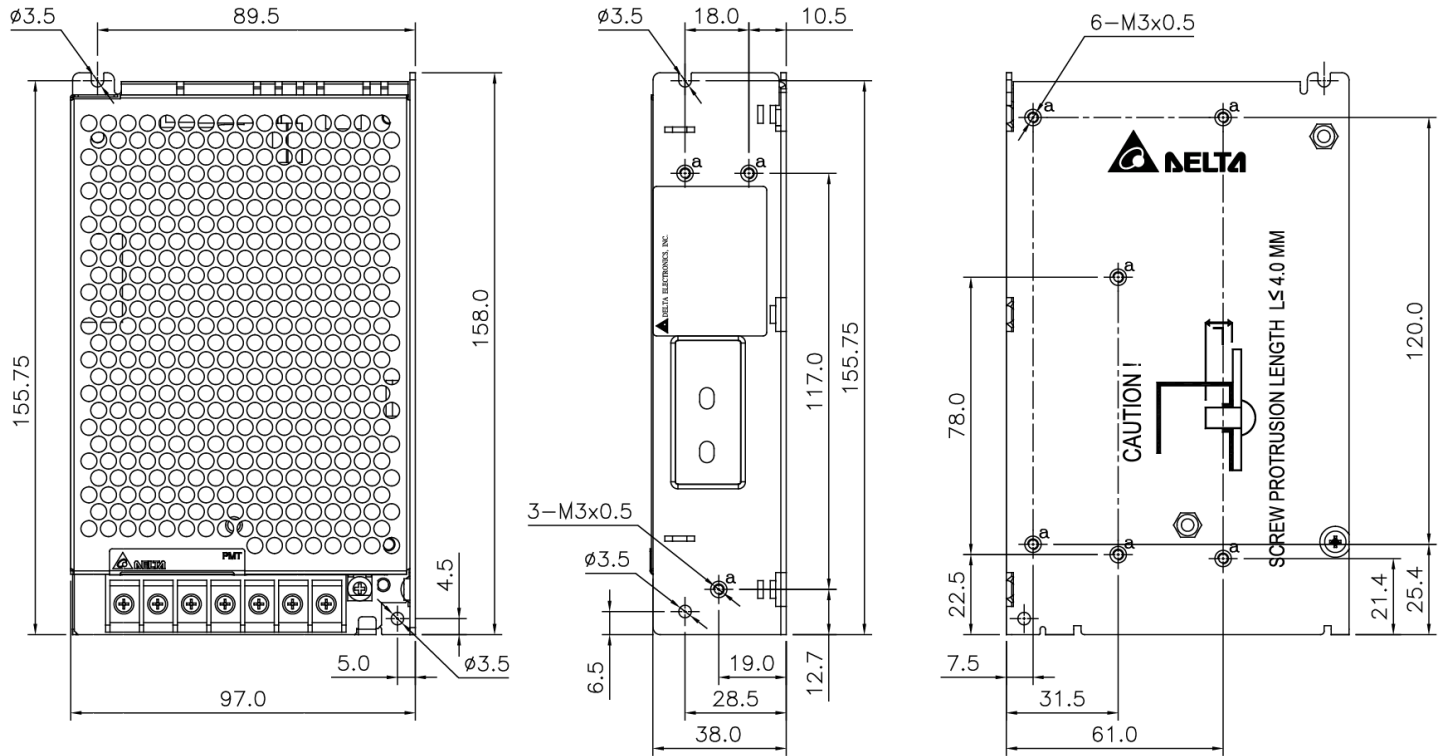
- 1) Input & Output terminal block connector
- 2) DC voltage adjustment potentiometer
- 3) DC OK control LED (Green)
- 4) AC selectable switch

PMT Panel Mount Power Supply

12V 100W 1 Phase / PMT-12V100W1A□□

Dimensions

L x W x D: 158 x 97 x 38 mm (6.22 x 3.82 x 1.50 inch)



PMT Panel Mount Power Supply

12V 100W 1 Phase / PMT-12V100W1A □ □

Engineering Data

Output Load De-rating VS Surrounding Air Temperature

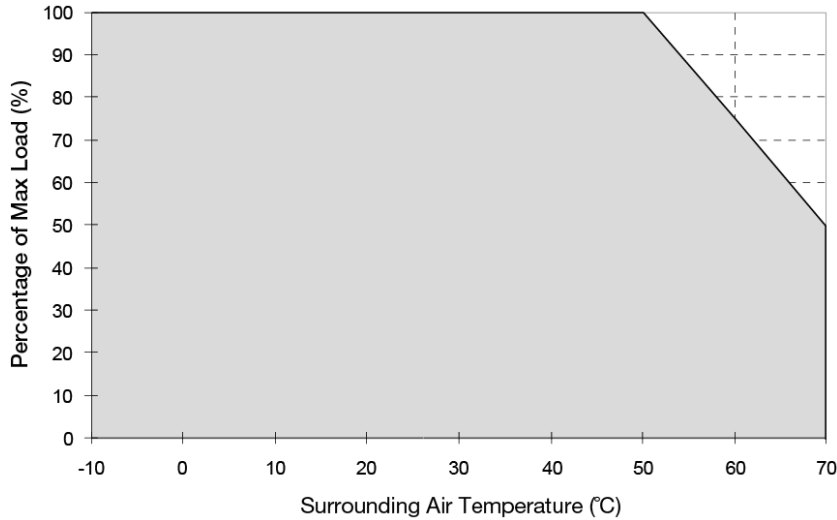
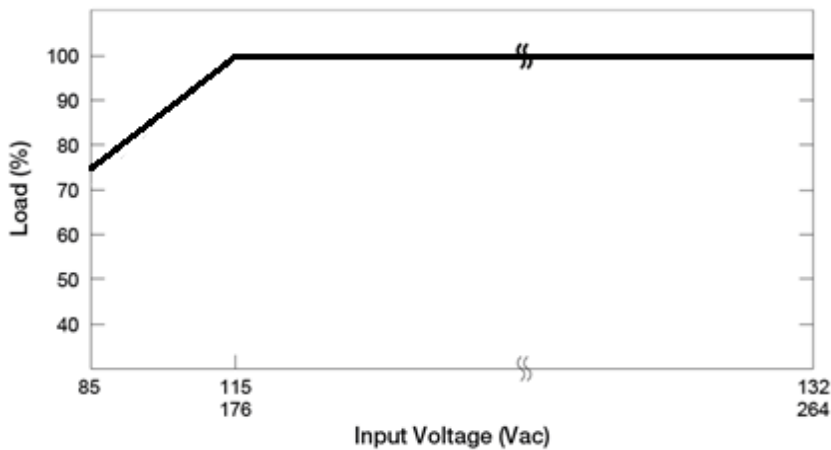


Fig. 1 De-rating for Vertical and Horizontal Mounting Orientation
 > 50°C de-rate power by 2.5% / °C

Note

1. Power supply components may degrade, or be damaged, when the power supply is continuously used outside the shaded region, refer to the graph shown in Fig. 1.
2. If the output capacity is not reduced when the surrounding air temperature exceeds its specification as defined on Page 3 under "Environment", the device will run into Over Temperature Protection. When activated, the output voltage will go into bouncing mode and will recover when the surrounding air temperature is lowered or the load is reduced as far as necessary to keep the device in working condition.
3. In order for the device to function in the manner intended, it is also necessary to keep a safety distance of 20mm (0.79 inch) with adjacent units while the device is in operation.
4. Depending on the surrounding air temperature and output load delivered by the power supply, the device can be very hot!
5. If the device has to be mounted in any other orientation, please contact info@deltapsu.com for more details.

Output Load De-rating VS Input Voltage



- No output power de-rating for the input voltage from 115Vac to 132Vac & 176Vac to 264Vac

■ L Frame / Enclosed

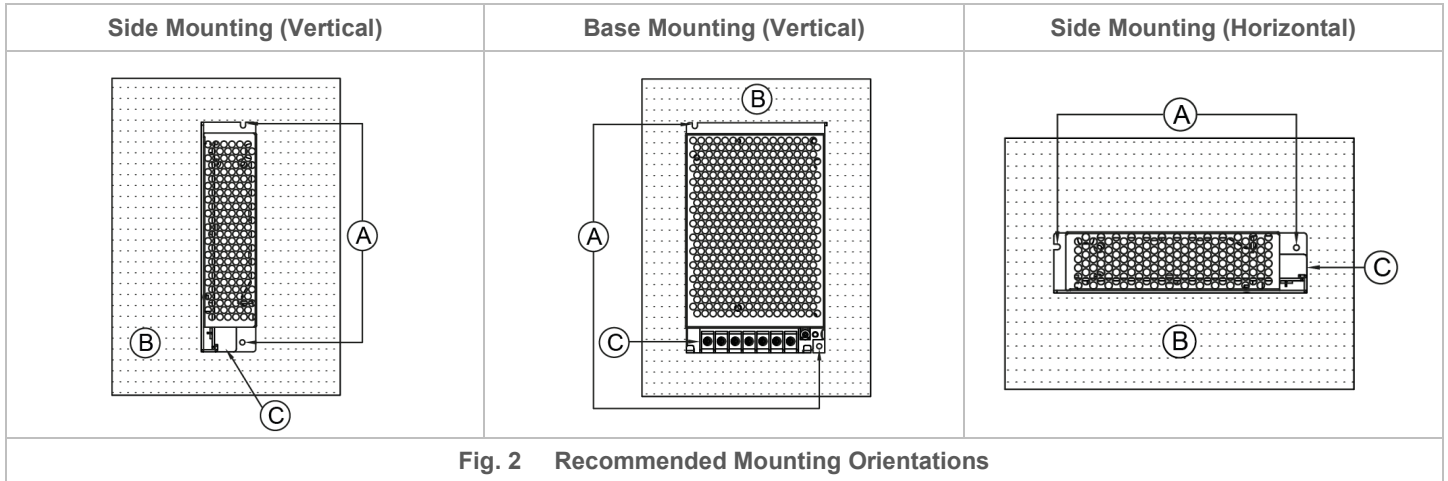
PMT Panel Mount Power Supply

12V 100W 1 Phase / PMT-12V100W1A□□

Assembly & Installation

Mounting holes for power supply assembly onto the mounting surface.

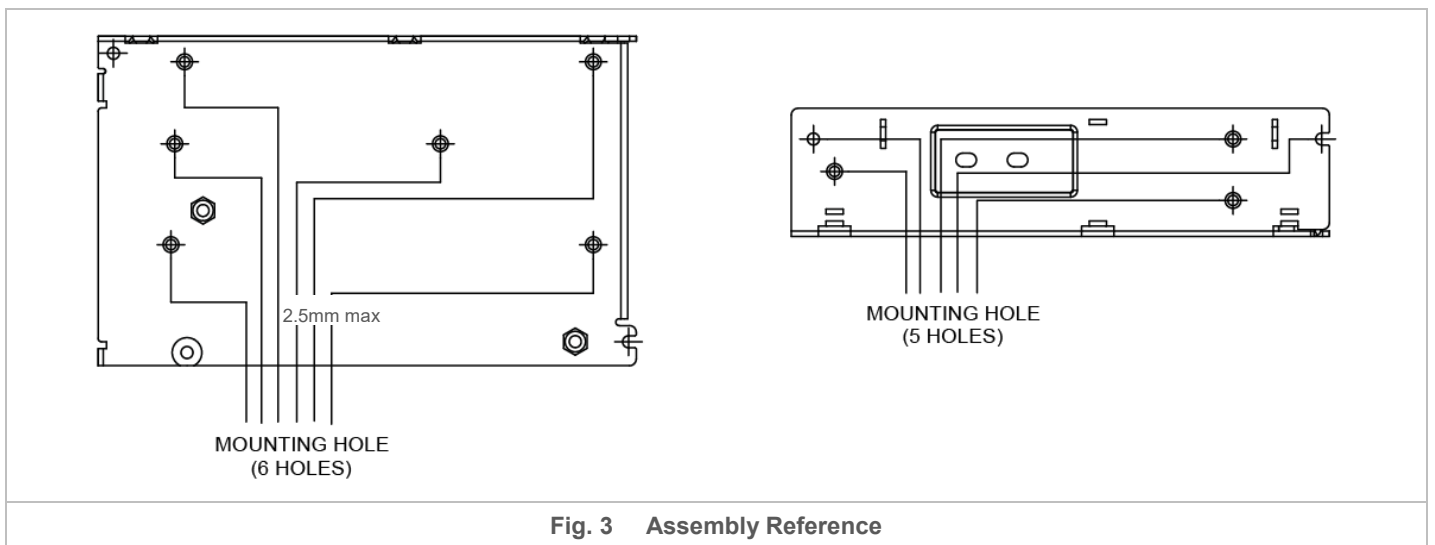
- Ⓐ The power supply shall be mounted on minimum 2 mounting holes using M3 screw minimum 5mm (0.20 inch) length.
- Ⓑ This surface belongs to customer's end system or panel where the power supply is mounted.
- Ⓒ Connector



- **PM□-12V100W1A□□ / PM□-12V100W1AG:** Use flexible cable (stranded or solid) of AWG No. 20-12. The torque at the connector shall not exceed 13Kgf.cm (11.23 lbf.in). The insulation stripping length should not exceed 0.275" or 7mm.
- **PM□-12V100W1AH:** Please refer the table below for the recommended mating connector, terminal and AWG wire size.

	Header (Board Mounting)	Mating Connector	Terminal	AWG
Input (JWT)	A3963WV2-5P-A	A3963H02-5P	A3963T0P-2	20-18
Output (JWT)	A3963WV2-7P-U	A3963H02-7P		

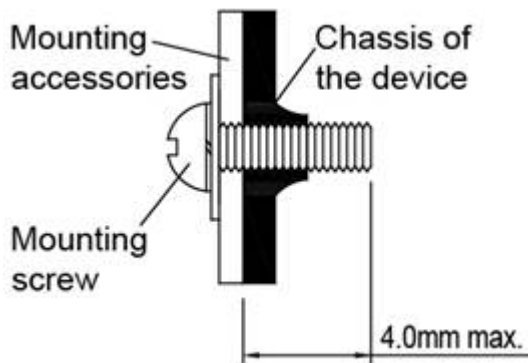
Installation of Mounting Accessories



With reference to Fig. 3, the device should be mounted on a sturdy heat conducting surface with minimum of 4 mounting holes using M3 screw through the base or side mounting holes.

PMT Panel Mount Power Supply

12V 100W 1 Phase / PMT-12V100W1A□□



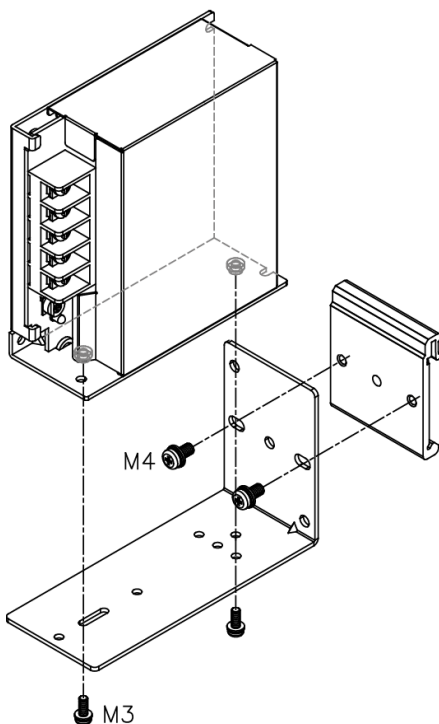
- Only use M3 screw $\leq 4.0\text{mm}$ (0.16 inch) through the base and side mounting holes. This is to keep a safe distance between the screw and internal components.
- Recommended mounting tightening torque: 4~7Kgf.cm. (3.47~6.08 lbf.in).

Fig. 4 Mounting Screw

Safety Instructions

- Must select correct AC input voltage before turning on (Refer to the “Device Description” on Page 5).
- If user’s mounting orientation is not according to the recommended mounting orientations, please consult Delta for further information.
- To ensure sufficient convection cooling, always maintain a safety distance of $\geq 20\text{mm}$ (0.79 inch) from all ventilated surfaces while the device is in operation.
- The device is not recommended to be placed on low thermal conductive surfaces, for example, plastics.
- The enclosure of the device can become very hot depending on the ambient temperature and load of the power supply. Do not touch the device while it is in operation or immediately after power is turned OFF. Risk of burning!
- Do not touch the terminals while power is being supplied. Risk of electric shock.
- Prevent any foreign metal, particles or conductors from entering the device through the openings during installation. It may cause electric shock, safety hazard, fire and/or product failure.
- The power supply must be mounted by metal screws onto a grounded metal surface. It is also highly recommended that the Earth terminal on the connector be connected to the grounded metal surface.
- Warning (For Standard Terminal Block and Front Face Terminal Block products): When connecting the device, secure Earth connection before connecting L and N. When disconnecting the device, remove L and N connections before removing the Earth connection.

Accessories



L-02: Latch
P-03: Bracket

These accessories are used to mount the panel mount power supply onto a DIN rail.

PMT Panel Mount Power Supply

12V 100W 1 Phase / PMT-12V100W1A□□

Functions

Start-up Time

The time required for the output voltage to reach 90% of its final steady state set value, after the input voltage is applied.

Rise Time

The time required for the output voltage to change from 10% to 90% of its final steady state set value.

Hold-up Time

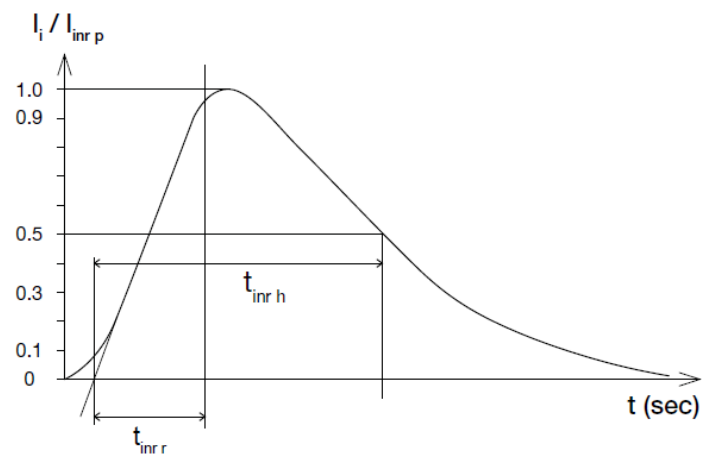
Time between the collapse of the AC input voltage, and the output falling to 95% of its steady state set value.

■ Graph illustrating the Start-up Time, Rise Time, and Hold-up Time



Inrush Current

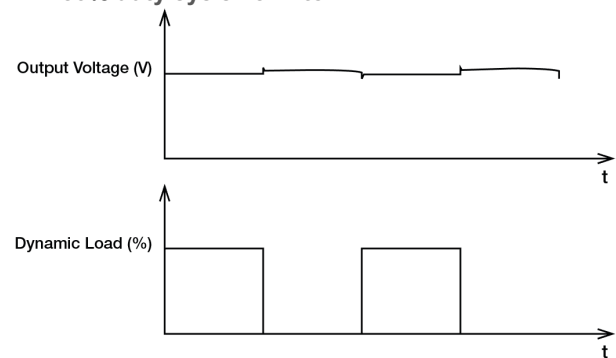
Inrush current is the peak, instantaneous, input current measured and, occurs when the input voltage is first applied. For AC input voltages, the maximum peak value of inrush current will occur during the first half cycle of the applied AC voltage. This peak value decreases exponentially during subsequent cycles of AC voltage.



Dynamic Response

The power supply output voltage will remain within $\pm 5\%$ of its steady state value, when subjected to a dynamic load from 0 to 100% of its rated current.

■ 50% duty cycle / 5Hz to 1KHz

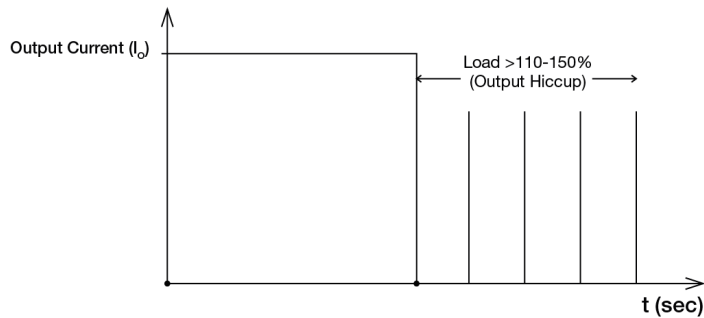


PMT Panel Mount Power Supply

12V 100W 1 Phase / PMT-12V100W1A□□

Overload & Overcurrent Protections (Auto-Recovery)

The power supply's Overload (OLP) and Overcurrent (OCP) Protections will be activated when output current exceeds 110-150% of I_O (Max load). In such occurrence, the V_O will start to droop and once the power supply has reached its maximum power limit, the protection is activated and the power supply will go into "Hiccup mode" (Auto-Recovery). The power supply will recover once the fault condition of the OLP and OCP is removed and I_O is back within the specifications.



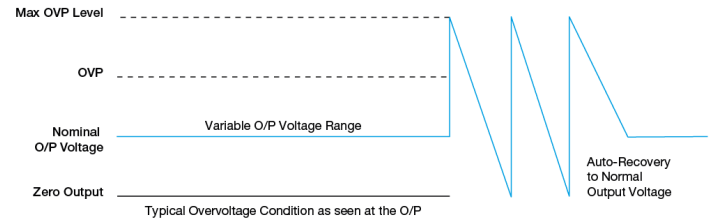
It is not recommended to prolong the duration of I_O when it is <110-150% but >100%, since it may cause damage to the PSU.

Short Circuit Protection (Auto-Recovery)

The power supply's output OLP/OCP function also provides protection against short circuits. When a short circuit is applied, the output current will operate in "Hiccup mode", as shown in the illustration in the OLP/OCP section on this page. The power supply will return to normal operation after the short circuit is removed.

Overvoltage Protection (Auto-Recovery)

The power supply's overvoltage circuit will be activated when its internal feedback circuit fails. The output voltage shall not exceed its specifications defined on Page 3 under "Protections".



Over Temperature Protection (Auto-Recovery)

As described in load de-rating section, the power supply also has Over Temperature Protection (OTP). In the event of a higher operating temperature at 100% load, the power supply will run into OTP when the operating temperature is beyond what is recommended in the de-rating graph. When activated, the output voltage will go into bouncing mode until the temperature drops to its normal operating temperature as recommended in the de-rating graph.

PMT Panel Mount Power Supply

12V 100W 1 Phase / PMT-12V100W1A□□

Others

Delta RoHS Compliant



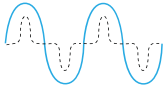
Restriction of the usage of hazardous substances

The European directive 2011/65/EU limits the maximum impurity level of homogeneous materials such as lead, mercury, cadmium, chrome, polybrominated flame retardants PBB and PBDE for the use in electrical and electronic equipment. RoHS is the abbreviation for “Restriction of the use of certain hazardous substances in electrical and electronic equipment”.

This product conforms to this standard.

PFC – Norm EN 61000-3-2

Line Current Harmonic content



Typically, the input current waveform is not sinusoidal due to the periodical peak charging of the input capacitor. In industrial environment, complying with EN 61000-3-2 is only necessary under special conditions. Complying to this standard can have some technical drawbacks, such as lower efficiency as well as some commercial aspects such as higher purchasing costs. Frequently, the user does not profit from fulfilling this standard, therefore, it is important to know whether it is mandatory to meet this standard for a specific application.

Attention

Delta provides all information in the datasheets on an “AS IS” basis and does not offer any kind of warranty through the information for using the product. In the event of any discrepancy between the information in the catalog and datasheets, the datasheets shall prevail (please refer to www.DeltaPSU.com for the latest datasheets information). Delta shall have no liability of indemnification for any claim or action arising from any error for the provided information in the datasheets. Customer shall take its responsibility for evaluation of using the product before placing an order with Delta.

Delta reserves the right to make changes to the information described in the datasheets without notice.