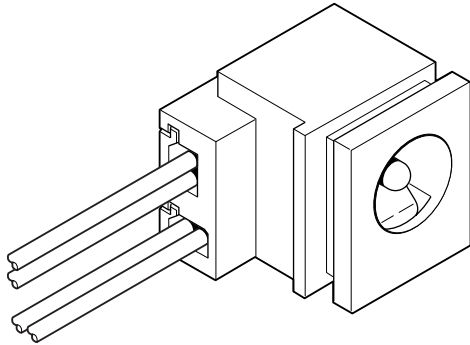


DCJ CONNECTOR



This is a jack connector for DC power supply used for handheld devices and notebook PC.

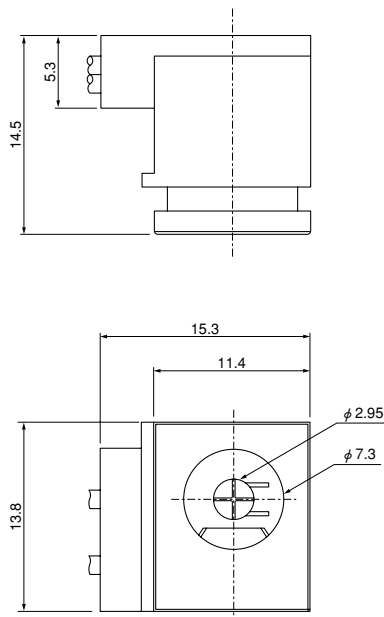
"Harness type with crimping" is adopted to prevent from defectives of conventional product such as "Solder crack" of PC board mounting types due to an excessive external force when mating and unmating operations, and "Poor soldering" of harness types with solder potting. High safety is realized.

- *Good workability when assembling connector*
- *Easy setting to an equipment panel*
- *For large current*

Specifications

(Large current type)

- Current rating: 6A AC, DC
 - Voltage rating: 20V AC, DC
 - Temperature range: -25°C to +85°C
(including temperature rise in applying electrical current)
 - Applicable wire: AWG #22×2 wires
- * Compliant with RoHS.
* Refer to "General Instruction and Notice when using Terminals and Connectors" at the end of this catalog.
* Contact JST for details.

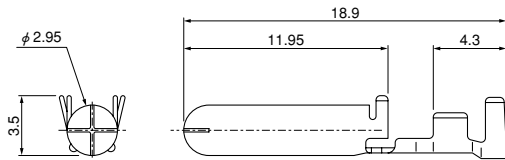


Note: The dimensions above should serve as a guideline. Contact JST for details.

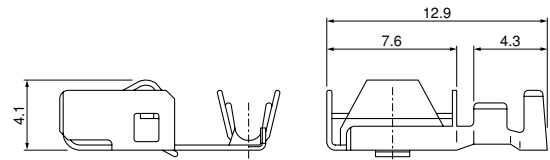
DCJ CONNECTOR

Contact

Pin contact



Socket contact



Model No.		Applicable wire		Insulation O.D. (mm)	Q'ty / reel	
Pin contact	Socket contact	mm ²	AWG #		Pin contact	Socket contact
SDCJ-21A-3.0	SDCJ-21A-E6.5	0.33	22	1.3	6,000	2,500

Material and Finish

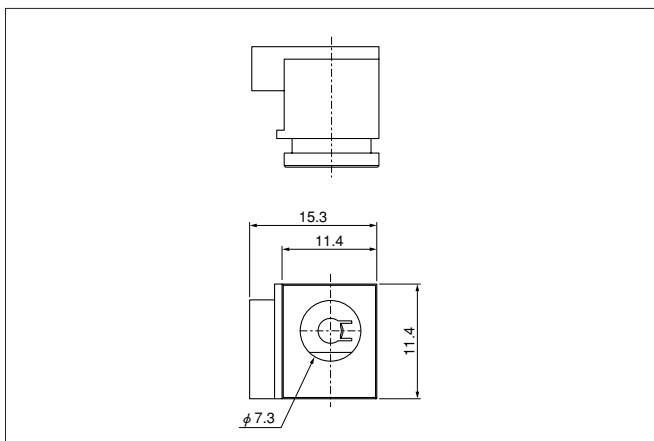
Copper alloy, Overall nickel-undercoated, silver-plated

RoHS compliance

Contact	Crimping machine	Applicator		
		Crimp applicator	Dies	Crimp applicator with dies
SDCJ-21A-3.0	AP-K2N	MKS-L	MK/SDCJ-21-30	APLMK SDCJ21-30
		—	—	—

Contact	Crimping machine	Applicator		
		Crimp applicator	Dies	Crimp applicator with dies
SDCJ-21A-E6.5	AP-K2N	MKS-L	MK/SDCJ-21-65	APLMK SDCJ21-65
		—	—	—

Housing

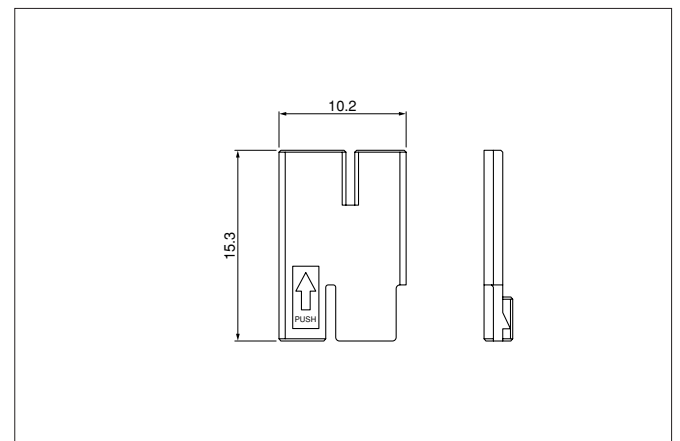


Model No.	Q'ty / box
DCJR-02V-A	150
Material	
Thermoplastic resin	

RoHS compliance

*Contact JST for applicable plug.

Holder



Model No.	Q'ty / box
DCJR-02V-B	1,000
Material	
Thermoplastic resin	

RoHS compliance