



inserts:	page:
CD 40 poles + ⊕	57
CT, CTS (10A) *) ... 40 poles + ⊕	64
CDD 72 poles + ⊕	70
CDS 27 poles + ⊕	80
CSH 16 poles + ⊕	93
CNE, CSE 16 poles + ⊕	106
CCE 16 poles + ⊕	112
CSS 16 poles + ⊕	124
CT, CTSE (16A) *) .. 16 poles + ⊕	132
CQE 32 poles + ⊕	140
CQEE 40 poles + ⊕	146
CMCE 6+2 (aux) poles + ⊕	150
CME, CMSH .. 6+2 (aux) poles + ⊕	151
CP 6 poles + ⊕	162
CX 6/36 and 12/2 poles + ⊕	170-171
CX 4/0 and 4/2 poles + ⊕	172
MIXO 4 modules	179-215

*) only for enclosure CHIW 16

insert centre distance: 77,5 x 27 mm

housings and cover

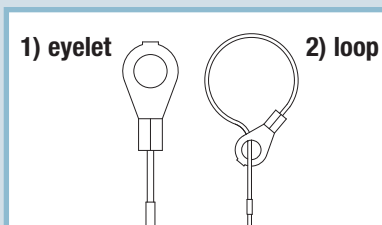
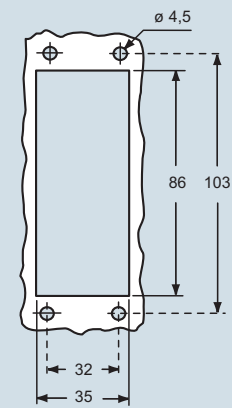


hoods and cover

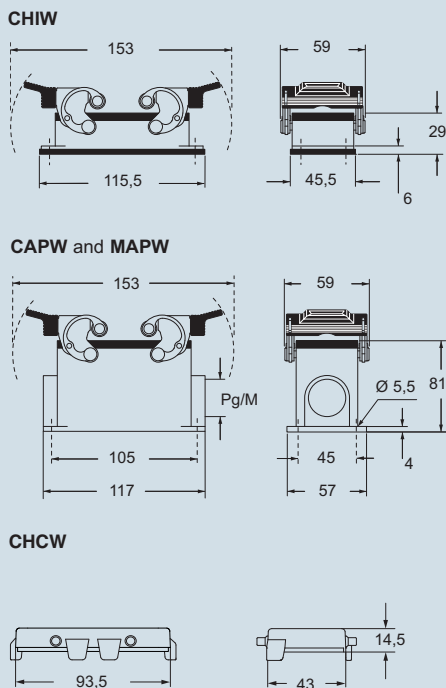


description	part No.	entry Pg	part No.	entry M	part No.	entry Pg	part No.	entry M
bulkhead mounting housing with levers	CHIW 16	—						
surface mounting housing, with levers, high construction	CAPW 16.21	21	MAPW 16.32	32				
cover with 4 pegs (for enclosures with 2 levers) 1)	CHCW 16							
enclosure with pegs, side entry,					CHOW 16	21	MHOW 16.25	25
enclosure with pegs, side entry, high construction					CAOW 16.29	29	MHOW 16.32	32
enclosure with pegs, side entry, high construction							MAOW 16.32	32
enclosure with pegs, top entry,					CHVW 16	21	MHVW 16.25	25
enclosure with pegs, top entry, high construction					CAVW 16.29	29	MHVW 16.32	32
enclosure with pegs, top entry high construction							MAVW 16.32	32
enclosure with pegs, top entry high construction							MAVW 16.40	40
cover with 2 levers (for enclosures with 4 pegs) 2)					CHCW 16 G			
enclosure with levers, top entry, high construction					CAVW 16 G29	29	MAVW 16 G32	32

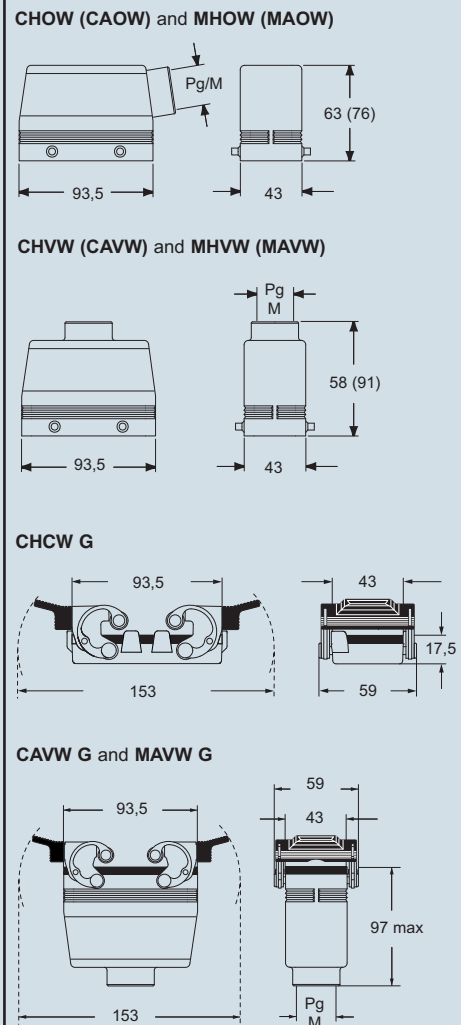
panel cut-out for bulkhead mounting housings in mm



dimensions in mm



dimensions in mm



ILME Type 4/4X/12



IP69K (compliant with DIN 40050-9)

dimensions shown are not binding and may be changed without notice

W-TYPE - size 77.27