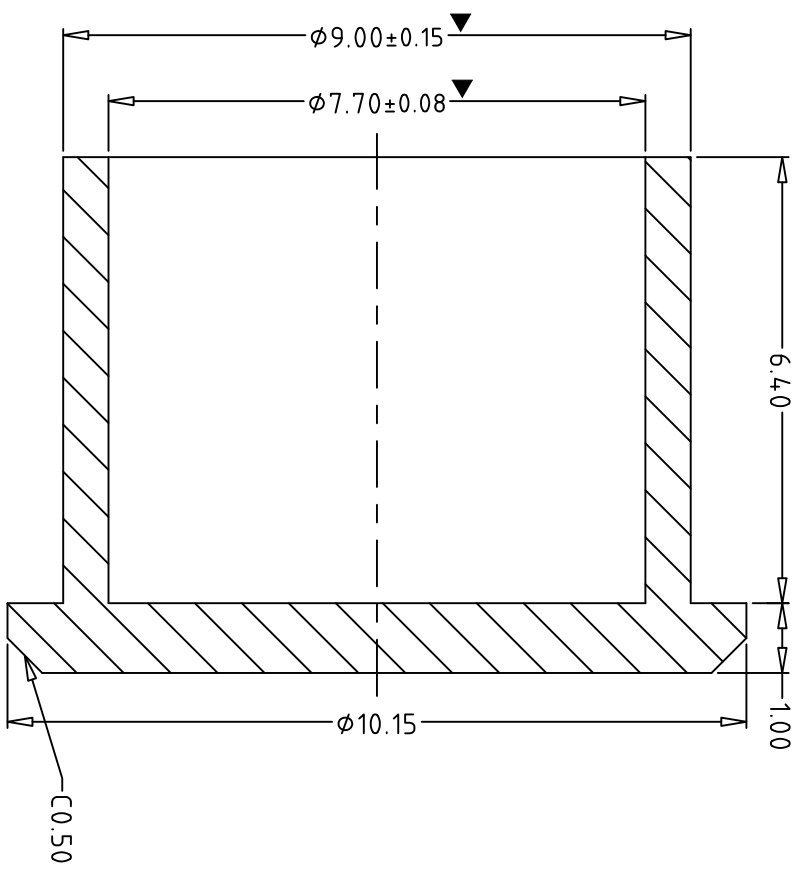
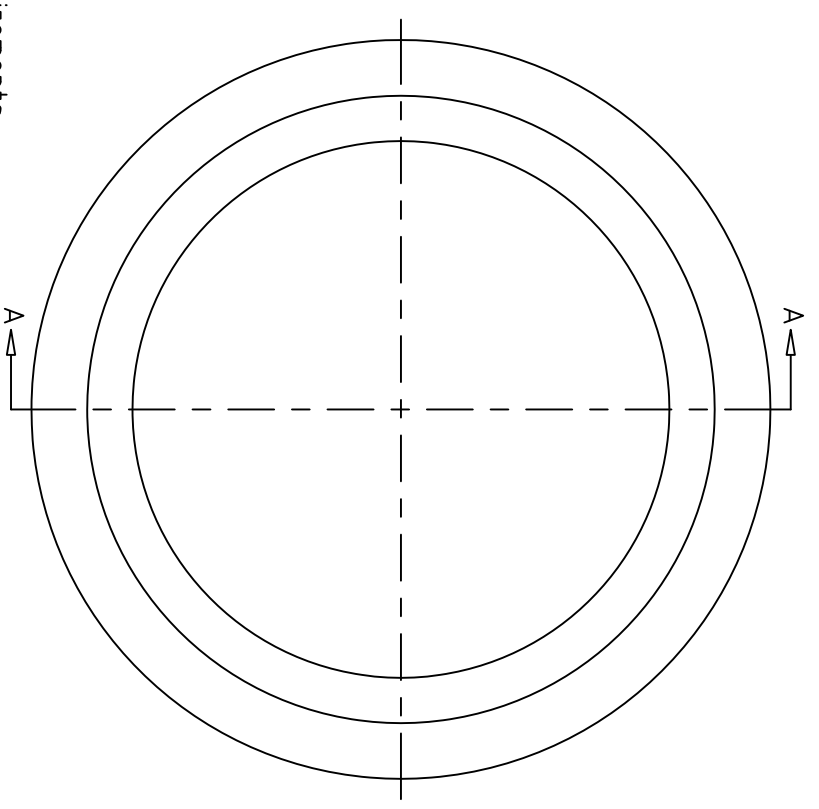


版本: X1

ECN. NO.	REV.	DATE	DESCRIPTION	CHANGE	APPD.
	X1	10/29/2015	初版发行	/	



SECTION:A-A

Requirements:

1. Environmental protection material:LD-PE,black,HB,environmental protection, accord ROHS2.0;

2. Parts shall not have indentation, cracks, scratches and other undesirable;

3. "▼"The triangle marks the important size, which needs to be checked in production;

4. Burr 0.20mm MAX.

MATERIAL: 见技术要求栏		Higo 上海海固电器设备有限公司 Shang hai Higo Electronic Technology Co., Ltd.	
UNITS: mm	TITLE: Mini B, C male cover	PART NO.: ZX09BG	DWG NO.: E-S-FN350-00
X±: 5	X°±: 5°	APPD:	SCALE SHEET
X±: 0.30	X°±: 2°	CHED:	N/A
XX±:0.20	XX°±:1°	DRAW: Garry zhou 10/29/2015	REV.