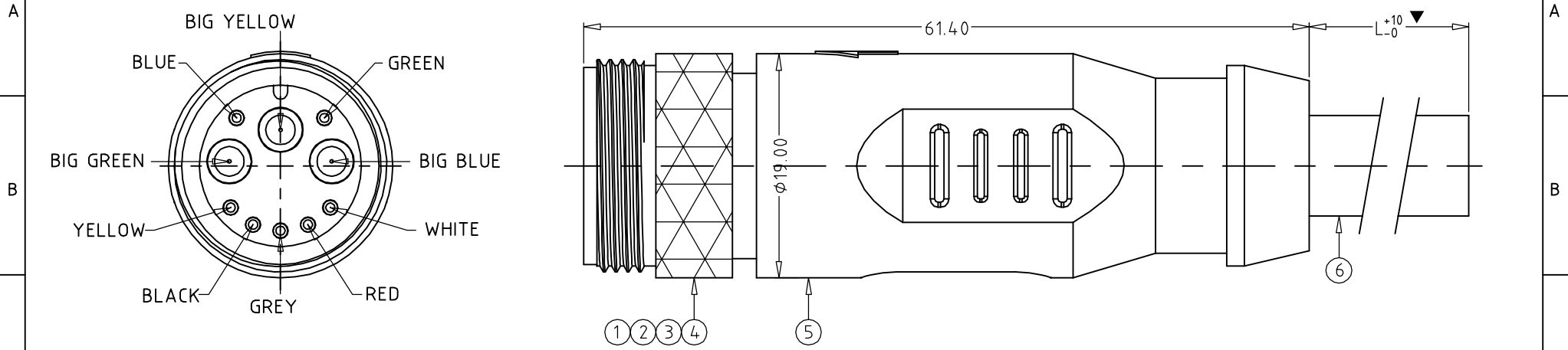


版本: X1

ECN. NO.	REV.	DATE	DESCRIPTION	CHANGE	APPD.
	X1	08/13'2015	初版发行	/	



6	10 POLE CABLE, $\phi 8.50, 3 \times 4.0 \text{mm}^2 + 7 \times 0.14 \text{mm}^2$, TINNED COPPER, TEFLON INSULATION(200℃), PVC JACKET(105℃), BLACK COLOR	1PCS
5	L1019 CONNECTOR JACKET PVC(105℃), SHORE A HARDNESS 87A UL94V-0, BLACK COLOR	1PCS
4	INSULATOR, PBT+30% GF(120℃) UL94V-0, BLACK COLOR	1PCS
3	BOLT, M18×1.0, BRASS (GB HPB-59-1), FULL NICKEL PLATED 200 μ MIN	1PCS
2	CONTACT PIN, $\phi 0.80$, BRASS (GB HPB-59-1), 4 μ MIN GOLD PLATING OVER ALL 50~100 μ NICKEL UNDER PLATING OVER ALL	7PCS
1	CONTACT PIN, $\phi 2.50$, BRASS (GB HPB-59-1), 4 μ MIN GOLD PLATING OVER ALL 50~100 μ NICKEL UNDER PLATING OVER ALL	3PCS
item no.	Specification	QTY

- Electrical Characteristics:
 - Low level contact resistance: 10 milliohm Max.
 - Dielectric withstanding voltage: 700VAC.
 - Insulation resistance: 20 megaohm Min.
- Mechanical Characteristics:
 - Durability: 200 cycle.
- Performance:
 - Voltage rating: 48V AC, 60V DC.
 - Current rating:
 - 45Amps ($\phi 2.5$ pin and socket), 2Amps ($\phi 0.8$ pin and socket).
 - Operation temperature: -25℃ ~ +80℃.
- Requirement:
 - Environmental protection, accord ROHS 2.0.
- Applicable wire:
 - $\phi 2.5$ Contact: 4.0mm² MAX.
 - $\phi 0.8$ Contact: 0.2mm² MAX.
- Degree of protection:
 - IP67 in locked condition

MAT'L: /		Higo 上海海固电器设备有限公司 Shanghai Higo Electronic Technology Co., Ltd.	
UNITS: mm		TITLE: L1019 MALE	PART NO.: F10MTA04-L190
X \pm : 5	X° \pm : 5°	APPD:	DWG NO.: E-F10MTA04-00
X \pm : 1	X° \pm : 2°	CHEd:	SCALE SHEET REV.
.XX \pm : 0.30	.XX° \pm : 1°	DRAW: Gary zhou 08/13'2015	SCALE SHEET REV. N/A 1/1