



www.ilme.com

# E-Xtreme<sup>®</sup>



## Titanium plasma protected

3.000 hours in salt spray tests

AVAILABLE 2017





# E-Xtreme® series

CORROSION-PROOF METAL ENCLOSURES  
3.000 HOURS IN SALT SPRAY TESTS



salt mist



frequent matings

## V-Type lever version

For extreme environments as: **icing, very low temperatures, impact resistant, salt mist and chemical resistant.** The lever handle is in **stainless steel** and the locking device guarantees an **IP66/IP67 protection degree.**

V-Type lever





icing



impact resistant



very low temperatures



UV radiations



chemical resistant

## C-Type lever version

For extreme environments as: **salt mist, UV radiations, chemical resistant and frequent matings.**  
The lever handle is in **polyamide and stainless steel** and the locking device guarantees an **IP65/IP66 protection degree.**





icing



impact resistant



very low temperatures



UV radiations



chemical resistant

## ADVANTAGES

Metal hoods and housings intended for **extremely demanding environments**, with special protective treatment under painting. Their **special patented protective coating** assures a high level of protection against the corrosion even in case of long term exposure to salt mist.

- 3.000 hours in salt spray tests



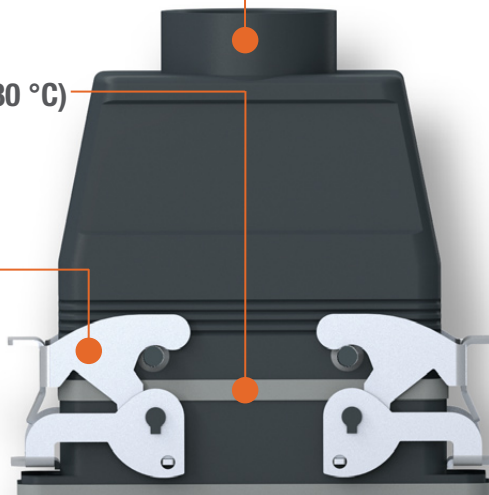
- IP66, IP67, IP69 protection degree (EN 60529)

- corrosion-proof aluminium with a special coating under the powder painting colour RAL 7016 dark grey

- FKM gasket (-40 °C...+180 °C) or silicone gasket (-60 °C...+180 °C)

- V-Type lever or C-Type lever, hoods with moulded pegs or riveted stainless steel bolts

- durable protection against damage caused by stone-chip, icing, salt mist, UV radiations and harsh gases



icing



very low temperatures



salt mist



impact resistant



UV radiations



chemical resistant



# Titanium plasma protected

3.000 hours in salt spray tests



## TECHNICAL DETAILS

The protection is granted also in case of impact with stones and sand. The materials are able to withstand UV radiations, a wide temperature range and harsh chemicals. The E-Xtreme® series is available in the **full range** of Ilme aluminum hoods and housings versions.

### applicable test standards

EN 61984:2010-04	Connectors - Safety requirements and tests
EN 60529:2001-02	Degrees of protection provided by enclosures (IP code)
EN ISO 9227 Ed 2.0	Corrosion tests in artificial atmospheres - Salt spray tests
ASTM B117-09	Standard practice for operating salt spray (fog) apparatus
EN 60512 (series)	Connectors for electronic equipment - Tests and measurement
EN 60068-2-68: 1996	Environmental testing - Part 2-68: Tests - Test L: Dust and sand
EN ISO 20567-1: 2005	Paints and varnishes -- Determination of stone-chip resistance of coatings -- Part 1: Multi-impact testing

### general specifications

Material	Aluminum die-cast
Painting	Epoxy powder coating
Colour	RAL 7016 (dark grey)
Locking lever, springs and pegs	Stainless steel
Lever handle	C-Type lever (+125 °C): Polyamide V-Type lever (+180 °C): Stainless steel
Gasket	FKM
Silicon-based compounds	Free
EN ISO 9227 Ed 2.0	3.000 hours (V-Type lever and hood with moulded pegs) 2.000 hours (C-Type lever and hood with riveted stainless steel bolts)
Temperature limits	-40 °C... +125 °C (-60 °C... +180 °C with silicone gasket)
Degree of protection according to IEC/EN 60529 (in mated and locked condition) (IP69K according to ISO 20653, former DIN 40050-9)	IP65, IP66, IP67, IP68 (CG), IP69, IP69K
Stone chipping test	ISO 20567-1
Dust and sand blasting test	EN 60068-2-68
Vibration test	EN 61373 cat. 1B, 3 axis EN 60068-2-6 10+500 Hz 0,35mm/5g break point 60.1 Hz 3 axis
Shock test	EN 61373 cat. 1B, 3 axis
UV resistance	EN ISO 4892-2, EN 50467 on locked housings
Ozone resistance	EN 50467 on locked housings
Chemical resistance	Cleaning fluids, anti-freezing fluids, mineral and synthetic oils, cooling fluids, diesel fuel



www.ilme.com



Choose your connector



**I.L.M.E. SpA**  
Via Marco Antonio Colonna, 9  
20149 Milano - Italy  
[www.ilme.com](http://www.ilme.com)

