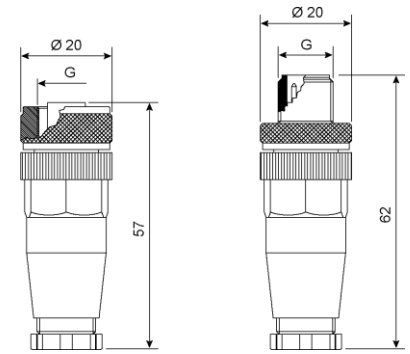


M12 – coding A or 1/2” UNF – coding C, field attachable, straight  
 M12 – codifica A o 1/2” UNF – codifica C, da cablare, diritto

IEC 61076-2-101 round connector;  
 from 4 to 12 poles;  
 male or female;  
 application with sensors  
 and distribution boxes, etc.

connettore rotondo IEC61076-2-101;  
 da 4 a 12 poli;  
 maschio o femmina;  
 applicazione con sensori  
 e scatole derivazione, ecc.



General characteristics

contact material: golden over nickel plated CuZn (8 and 12 poles); optalloy (4 and 5 poles)  
 protection degree IEC 60529: IP67 (a3)  
 working temperature: -25...90°C (-5...50°C for piercing system)  
 oil resistance: very good

Caratteristiche generali

materiale contatti: CuZn dorato sopra nichelatura (8 e 12 poli); optalloy (4 e 5 poli)  
 grado protezione IEC 60529: IP67 (a3)  
 temperatura di lavoro: -25...90°C (-5...50°C per sistema a perforazione di isolante)  
 resistenza olio: ottima

| description code<br>codice descrittivo<br>(a1) | female face view<br>vista frontale<br>femmina | thread (G)<br>+ coding<br>filetto (G)<br>+ chiave | material<br>materiale<br>(a9) | gender<br>genere<br>(a6) | cabling system<br>sistema cablaggio             | cable diameter<br>diametro cavo<br>mm | max no. contacts<br>n° contatti max | max wires section<br>sezione fili max<br>mm <sup>2</sup> | voltage<br>tensione<br>Vdc / Vac | max current<br>corrente max<br>A @40°C |                |   |          |   |   |            |         |   |      |         |   |                |   |                |   |                |   |                |   |   |         |   |      |         |   |                |   |                |   |                |   |                |   |   |   |   |      |         |   |                |   |                |   |                |   |                |   |   |   |   |      |         |   |                |   |                |   |   |                          |   |                      |        |   |                |   |                |   |   |            |   |      |         |   |                |   |                |  |          |   |   |            |         |   |      |        |   |                |   |                |   |                |   |                |   |   |         |   |      |        |   |                |   |                |   |                |   |                |   |   |       |   |      |        |   |                |   |                |   |                |   |                |   |   |   |   |      |        |   |                |   |                |   |                |   |                |   |   |            |   |      |         |   |                |   |                |  |          |   |   |            |       |   |      |        |   |                |   |                |   |                |   |                |   |   |   |   |      |        |   |                |   |                |   |                |   |                |  |           |   |
|--|---|---|-------------------------------|--------------------------|---|---------------------------------------|-------------------------------------|--|----------------------------------|--|----------------|---|----------|---|---|------------|---------|---|------|---------|---|----------------|---|----------------|---|----------------|---|----------------|---|---|---------|---|------|---------|---|----------------|---|----------------|---|----------------|---|----------------|---|---|---|---|------|---------|---|----------------|---|----------------|---|----------------|---|----------------|---|---|---|---|------|---------|---|----------------|---|----------------|---|---|--------------------------|---|----------------------|--------|---|----------------|---|----------------|---|---|------------|---|------|---------|---|----------------|---|----------------|--|----------|---|---|------------|---------|---|------|--------|---|----------------|---|----------------|---|----------------|---|----------------|---|---|---------|---|------|--------|---|----------------|---|----------------|---|----------------|---|----------------|---|---|-------|---|------|--------|---|----------------|---|----------------|---|----------------|---|----------------|---|---|---|---|------|--------|---|----------------|---|----------------|---|----------------|---|----------------|---|---|------------|---|------|---------|---|----------------|---|----------------|--|----------|---|---|------------|-------|---|------|--------|---|----------------|---|----------------|---|----------------|---|----------------|---|---|---|---|------|--------|---|----------------|---|----------------|---|----------------|---|----------------|--|-----------|---|
| RCJF 00310 071                                 |   | 1/2" + C3   | N                             | F                        | screw vite                                      | 4...6,5                               | 3                                   | 0,75   | 1...250                          | 4                                      |                |   |          |   |   |            |         |   |      |         |   |                |   |                |   |                |   |                |   |   |         |   |      |         |   |                |   |                |   |                |   |                |   |   |   |   |      |         |   |                |   |                |   |                |   |                |   |   |   |   |      |         |   |                |   |                |   |   |                          |   |                      |        |   |                |   |                |   |   |            |   |      |         |   |                |   |                |  |          |   |   |            |         |   |      |        |   |                |   |                |   |                |   |                |   |   |         |   |      |        |   |                |   |                |   |                |   |                |   |   |       |   |      |        |   |                |   |                |   |                |   |                |   |   |   |   |      |        |   |                |   |                |   |                |   |                |   |   |            |   |      |         |   |                |   |                |  |          |   |   |            |       |   |      |        |   |                |   |                |   |                |   |                |   |   |   |   |      |        |   |                |   |                |   |                |   |                |  |           |   |
| RCJM 00310 071                                 |   |   |                               | M                        |   |                                       |                                     |  |                                  |  | RDJF 00410 070 |   | M12 + A5 | N | F | screw vite | 4...6,5 | 4 | 0,75 | 1...250 | 4 | RDJM 00410 070 | M | RDJF 00410 090 | F | RDJM 00410 090 | M | RDJF 00410 075 | F | S | 4...6,5 | 4 | 0,75 | 1...250 | 4 | RDJM 00410 075 | M | RDJF 00410 095 | F | RDJM 00410 095 | M | RDJF 00410 120 | F | N | double cable<br>doppio cavo<br>2,1...3<br>4...5 | 4 | 0,75 | 1...250 | 4 | RDJM 00410 120 | M | RDJF 00410 125 | F | RDJM 00410 125 | M | RDJF 00410 126 | F | P | M | 4 | 0,75 | 1...250 | 4 | RDJM 00410 126 | M | RDJF 00415 070 | F | N | piercing<br>perforazione | 4 | 0,34<br>(Ø 1-1,6 mm) | 1...50 | 4 | RDJM 00415 070 | M | RDJF 30410 090 | F | C | screw vite | 4 | 0,50 | 1...250 | 4 | RDJM 30410 090 | M | RDJF 00510 070 |  | M12 + A5 | N | F | screw vite | 4...6,5 | 5 | 0,75 | 1...60 | 4 | RDJM 00510 070 | M | RDJF 00510 090 | F | RDJM 00510 090 | M | RDJF 00510 075 | F | S | 4...6,5 | 5 | 0,75 | 1...60 | 4 | RDJM 00510 075 | M | RDJF 00510 095 | F | RDJM 00510 095 | M | RDJF 00510 096 | F | P | 6...8 | 5 | 0,75 | 1...60 | 4 | RDJM 00510 096 | M | RDJF 00510 120 | F | RDJM 00510 120 | M | RDJF 00510 125 | F | N | double cable<br>doppio cavo<br>2,1...3<br>4...5 | 5 | 0,75 | 1...60 | 4 | RDJM 00510 125 | M | RDJF 00510 126 | F | RDJM 00510 126 | M | RDJF 30510 090 | F | C | screw vite | 5 | 0,50 | 1...125 | 4 | RDJM 30510 090 | M | RDJF 00810 090 |  | M12 + A8 | N | F | screw vite | 6...8 | 8 | 0,50 | 1...30 | 2 | RDJM 00810 090 | M | RDJF 00810 095 | F | RDJM 00810 095 | M | RDJF 00810 120 | F | S | double cable<br>doppio cavo<br>2,1...3<br>4...5 | 8 | 0,50 | 1...30 | 2 | RDJM 00810 120 | M | RDJF 00810 125 | F | RDJM 00810 125 | M | RDJF 01211 090 |  | M12 + A12 | N |
| RDJF 00410 070                                 |   | M12 + A5  | N                             | F                        | screw vite                                      | 4...6,5                               | 4                                   | 0,75   | 1...250                          | 4                                      |                |   |          |   |   |            |         |   |      |         |   |                |   |                |   |                |   |                |   |   |         |   |      |         |   |                |   |                |   |                |   |                |   |   |   |   |      |         |   |                |   |                |   |                |   |                |   |   |   |   |      |         |   |                |   |                |   |   |                          |   |                      |        |   |                |   |                |   |   |            |   |      |         |   |                |   |                |  |          |   |   |            |         |   |      |        |   |                |   |                |   |                |   |                |   |   |         |   |      |        |   |                |   |                |   |                |   |                |   |   |       |   |      |        |   |                |   |                |   |                |   |                |   |   |   |   |      |        |   |                |   |                |   |                |   |                |   |   |            |   |      |         |   |                |   |                |  |          |   |   |            |       |   |      |        |   |                |   |                |   |                |   |                |   |   |   |   |      |        |   |                |   |                |   |                |   |                |  |           |   |
| RDJM 00410 070                                 |   |   |                               | M                        |   |                                       |                                     |  |                                  |  |                |   |          |   |   |            |         |   |      |         |   |                |   |                |   |                |   |                |   |   |         |   |      |         |   |                |   |                |   |                |   |                |   |   |   |   |      |         |   |                |   |                |   |                |   |                |   |   |   |   |      |         |   |                |   |                |   |   |                          |   |                      |        |   |                |   |                |   |   |            |   |      |         |   |                |   |                |  |          |   |   |            |         |   |      |        |   |                |   |                |   |                |   |                |   |   |         |   |      |        |   |                |   |                |   |                |   |                |   |   |       |   |      |        |   |                |   |                |   |                |   |                |   |   |   |   |      |        |   |                |   |                |   |                |   |                |   |   |            |   |      |         |   |                |   |                |  |          |   |   |            |       |   |      |        |   |                |   |                |   |                |   |                |   |   |   |   |      |        |   |                |   |                |   |                |   |                |  |           |   |
| RDJF 00410 090                                 |   |   |                               | F                        |   |                                       |                                     |  |                                  |  |                |   |          |   |   |            |         |   |      |         |   |                |   |                |   |                |   |                |   |   |         |   |      |         |   |                |   |                |   |                |   |                |   |   |   |   |      |         |   |                |   |                |   |                |   |                |   |   |   |   |      |         |   |                |   |                |   |   |                          |   |                      |        |   |                |   |                |   |   |            |   |      |         |   |                |   |                |  |          |   |   |            |         |   |      |        |   |                |   |                |   |                |   |                |   |   |         |   |      |        |   |                |   |                |   |                |   |                |   |   |       |   |      |        |   |                |   |                |   |                |   |                |   |   |   |   |      |        |   |                |   |                |   |                |   |                |   |   |            |   |      |         |   |                |   |                |  |          |   |   |            |       |   |      |        |   |                |   |                |   |                |   |                |   |   |   |   |      |        |   |                |   |                |   |                |   |                |  |           |   |
| RDJM 00410 090                                 |   |   |                               | M                        |   |                                       |                                     |  |                                  |  |                |   |          |   |   |            |         |   |      |         |   |                |   |                |   |                |   |                |   |   |         |   |      |         |   |                |   |                |   |                |   |                |   |   |   |   |      |         |   |                |   |                |   |                |   |                |   |   |   |   |      |         |   |                |   |                |   |   |                          |   |                      |        |   |                |   |                |   |   |            |   |      |         |   |                |   |                |  |          |   |   |            |         |   |      |        |   |                |   |                |   |                |   |                |   |   |         |   |      |        |   |                |   |                |   |                |   |                |   |   |       |   |      |        |   |                |   |                |   |                |   |                |   |   |   |   |      |        |   |                |   |                |   |                |   |                |   |   |            |   |      |         |   |                |   |                |  |          |   |   |            |       |   |      |        |   |                |   |                |   |                |   |                |   |   |   |   |      |        |   |                |   |                |   |                |   |                |  |           |   |
| RDJF 00410 075                                 |   |   | F                             | S                        | 4...6,5   | 4                                     | 0,75                                | 1...250  | 4                                |  |                |   |          |   |   |            |         |   |      |         |   |                |   |                |   |                |   |                |   |   |         |   |      |         |   |                |   |                |   |                |   |                |   |   |   |   |      |         |   |                |   |                |   |                |   |                |   |   |   |   |      |         |   |                |   |                |   |   |                          |   |                      |        |   |                |   |                |   |   |            |   |      |         |   |                |   |                |  |          |   |   |            |         |   |      |        |   |                |   |                |   |                |   |                |   |   |         |   |      |        |   |                |   |                |   |                |   |                |   |   |       |   |      |        |   |                |   |                |   |                |   |                |   |   |   |   |      |        |   |                |   |                |   |                |   |                |   |   |            |   |      |         |   |                |   |                |  |          |   |   |            |       |   |      |        |   |                |   |                |   |                |   |                |   |   |   |   |      |        |   |                |   |                |   |                |   |                |  |           |   |
| RDJM 00410 075                                 |   |   | M                             |                          |   |                                       |                                     |  |                                  |  |                |   |          |   |   |            |         |   |      |         |   |                |   |                |   |                |   |                |   |   |         |   |      |         |   |                |   |                |   |                |   |                |   |   |   |   |      |         |   |                |   |                |   |                |   |                |   |   |   |   |      |         |   |                |   |                |   |   |                          |   |                      |        |   |                |   |                |   |   |            |   |      |         |   |                |   |                |  |          |   |   |            |         |   |      |        |   |                |   |                |   |                |   |                |   |   |         |   |      |        |   |                |   |                |   |                |   |                |   |   |       |   |      |        |   |                |   |                |   |                |   |                |   |   |   |   |      |        |   |                |   |                |   |                |   |                |   |   |            |   |      |         |   |                |   |                |  |          |   |   |            |       |   |      |        |   |                |   |                |   |                |   |                |   |   |   |   |      |        |   |                |   |                |   |                |   |                |  |           |   |
| RDJF 00410 095                                 |   |   | F                             |                          |   |                                       |                                     |  |                                  |  |                |   |          |   |   |            |         |   |      |         |   |                |   |                |   |                |   |                |   |   |         |   |      |         |   |                |   |                |   |                |   |                |   |   |   |   |      |         |   |                |   |                |   |                |   |                |   |   |   |   |      |         |   |                |   |                |   |   |                          |   |                      |        |   |                |   |                |   |   |            |   |      |         |   |                |   |                |  |          |   |   |            |         |   |      |        |   |                |   |                |   |                |   |                |   |   |         |   |      |        |   |                |   |                |   |                |   |                |   |   |       |   |      |        |   |                |   |                |   |                |   |                |   |   |   |   |      |        |   |                |   |                |   |                |   |                |   |   |            |   |      |         |   |                |   |                |  |          |   |   |            |       |   |      |        |   |                |   |                |   |                |   |                |   |   |   |   |      |        |   |                |   |                |   |                |   |                |  |           |   |
| RDJM 00410 095                                 |   |   | M                             |                          |   |                                       |                                     |  |                                  |  |                |   |          |   |   |            |         |   |      |         |   |                |   |                |   |                |   |                |   |   |         |   |      |         |   |                |   |                |   |                |   |                |   |   |   |   |      |         |   |                |   |                |   |                |   |                |   |   |   |   |      |         |   |                |   |                |   |   |                          |   |                      |        |   |                |   |                |   |   |            |   |      |         |   |                |   |                |  |          |   |   |            |         |   |      |        |   |                |   |                |   |                |   |                |   |   |         |   |      |        |   |                |   |                |   |                |   |                |   |   |       |   |      |        |   |                |   |                |   |                |   |                |   |   |   |   |      |        |   |                |   |                |   |                |   |                |   |   |            |   |      |         |   |                |   |                |  |          |   |   |            |       |   |      |        |   |                |   |                |   |                |   |                |   |   |   |   |      |        |   |                |   |                |   |                |   |                |  |           |   |
| RDJF 00410 120                                 |   |   | F                             | N                        | double cable<br>doppio cavo<br>2,1...3<br>4...5 | 4                                     | 0,75                                | 1...250  | 4                                |  |                |   |          |   |   |            |         |   |      |         |   |                |   |                |   |                |   |                |   |   |         |   |      |         |   |                |   |                |   |                |   |                |   |   |   |   |      |         |   |                |   |                |   |                |   |                |   |   |   |   |      |         |   |                |   |                |   |   |                          |   |                      |        |   |                |   |                |   |   |            |   |      |         |   |                |   |                |  |          |   |   |            |         |   |      |        |   |                |   |                |   |                |   |                |   |   |         |   |      |        |   |                |   |                |   |                |   |                |   |   |       |   |      |        |   |                |   |                |   |                |   |                |   |   |   |   |      |        |   |                |   |                |   |                |   |                |   |   |            |   |      |         |   |                |   |                |  |          |   |   |            |       |   |      |        |   |                |   |                |   |                |   |                |   |   |   |   |      |        |   |                |   |                |   |                |   |                |  |           |   |
| RDJM 00410 120                                 |   |   | M                             |                          |   |                                       |                                     |  |                                  |  |                |   |          |   |   |            |         |   |      |         |   |                |   |                |   |                |   |                |   |   |         |   |      |         |   |                |   |                |   |                |   |                |   |   |   |   |      |         |   |                |   |                |   |                |   |                |   |   |   |   |      |         |   |                |   |                |   |   |                          |   |                      |        |   |                |   |                |   |   |            |   |      |         |   |                |   |                |  |          |   |   |            |         |   |      |        |   |                |   |                |   |                |   |                |   |   |         |   |      |        |   |                |   |                |   |                |   |                |   |   |       |   |      |        |   |                |   |                |   |                |   |                |   |   |   |   |      |        |   |                |   |                |   |                |   |                |   |   |            |   |      |         |   |                |   |                |  |          |   |   |            |       |   |      |        |   |                |   |                |   |                |   |                |   |   |   |   |      |        |   |                |   |                |   |                |   |                |  |           |   |
| RDJF 00410 125                                 |   |   | F                             |                          |   |                                       |                                     |  |                                  |  |                |   |          |   |   |            |         |   |      |         |   |                |   |                |   |                |   |                |   |   |         |   |      |         |   |                |   |                |   |                |   |                |   |   |   |   |      |         |   |                |   |                |   |                |   |                |   |   |   |   |      |         |   |                |   |                |   |   |                          |   |                      |        |   |                |   |                |   |   |            |   |      |         |   |                |   |                |  |          |   |   |            |         |   |      |        |   |                |   |                |   |                |   |                |   |   |         |   |      |        |   |                |   |                |   |                |   |                |   |   |       |   |      |        |   |                |   |                |   |                |   |                |   |   |   |   |      |        |   |                |   |                |   |                |   |                |   |   |            |   |      |         |   |                |   |                |  |          |   |   |            |       |   |      |        |   |                |   |                |   |                |   |                |   |   |   |   |      |        |   |                |   |                |   |                |   |                |  |           |   |
| RDJM 00410 125                                 |   |   | M                             |                          |   |                                       |                                     |  |                                  |  |                |   |          |   |   |            |         |   |      |         |   |                |   |                |   |                |   |                |   |   |         |   |      |         |   |                |   |                |   |                |   |                |   |   |   |   |      |         |   |                |   |                |   |                |   |                |   |   |   |   |      |         |   |                |   |                |   |   |                          |   |                      |        |   |                |   |                |   |   |            |   |      |         |   |                |   |                |  |          |   |   |            |         |   |      |        |   |                |   |                |   |                |   |                |   |   |         |   |      |        |   |                |   |                |   |                |   |                |   |   |       |   |      |        |   |                |   |                |   |                |   |                |   |   |   |   |      |        |   |                |   |                |   |                |   |                |   |   |            |   |      |         |   |                |   |                |  |          |   |   |            |       |   |      |        |   |                |   |                |   |                |   |                |   |   |   |   |      |        |   |                |   |                |   |                |   |                |  |           |   |
| RDJF 00410 126                                 |   |   | F                             | P                        | M   | 4                                     | 0,75                                | 1...250  | 4                                |  |                |   |          |   |   |            |         |   |      |         |   |                |   |                |   |                |   |                |   |   |         |   |      |         |   |                |   |                |   |                |   |                |   |   |   |   |      |         |   |                |   |                |   |                |   |                |   |   |   |   |      |         |   |                |   |                |   |   |                          |   |                      |        |   |                |   |                |   |   |            |   |      |         |   |                |   |                |  |          |   |   |            |         |   |      |        |   |                |   |                |   |                |   |                |   |   |         |   |      |        |   |                |   |                |   |                |   |                |   |   |       |   |      |        |   |                |   |                |   |                |   |                |   |   |   |   |      |        |   |                |   |                |   |                |   |                |   |   |            |   |      |         |   |                |   |                |  |          |   |   |            |       |   |      |        |   |                |   |                |   |                |   |                |   |   |   |   |      |        |   |                |   |                |   |                |   |                |  |           |   |
| RDJM 00410 126                                 |   |   | M                             |                          |   |                                       |                                     |  |                                  |  |                |   |          |   |   |            |         |   |      |         |   |                |   |                |   |                |   |                |   |   |         |   |      |         |   |                |   |                |   |                |   |                |   |   |   |   |      |         |   |                |   |                |   |                |   |                |   |   |   |   |      |         |   |                |   |                |   |   |                          |   |                      |        |   |                |   |                |   |   |            |   |      |         |   |                |   |                |  |          |   |   |            |         |   |      |        |   |                |   |                |   |                |   |                |   |   |         |   |      |        |   |                |   |                |   |                |   |                |   |   |       |   |      |        |   |                |   |                |   |                |   |                |   |   |   |   |      |        |   |                |   |                |   |                |   |                |   |   |            |   |      |         |   |                |   |                |  |          |   |   |            |       |   |      |        |   |                |   |                |   |                |   |                |   |   |   |   |      |        |   |                |   |                |   |                |   |                |  |           |   |
| RDJF 00415 070                                 |   |   | F                             | N                        | piercing<br>perforazione                        | 4                                     | 0,34<br>(Ø 1-1,6 mm)                | 1...50   | 4                                |  |                |   |          |   |   |            |         |   |      |         |   |                |   |                |   |                |   |                |   |   |         |   |      |         |   |                |   |                |   |                |   |                |   |   |   |   |      |         |   |                |   |                |   |                |   |                |   |   |   |   |      |         |   |                |   |                |   |   |                          |   |                      |        |   |                |   |                |   |   |            |   |      |         |   |                |   |                |  |          |   |   |            |         |   |      |        |   |                |   |                |   |                |   |                |   |   |         |   |      |        |   |                |   |                |   |                |   |                |   |   |       |   |      |        |   |                |   |                |   |                |   |                |   |   |   |   |      |        |   |                |   |                |   |                |   |                |   |   |            |   |      |         |   |                |   |                |  |          |   |   |            |       |   |      |        |   |                |   |                |   |                |   |                |   |   |   |   |      |        |   |                |   |                |   |                |   |                |  |           |   |
| RDJM 00415 070                                 |   |   | M                             |                          |   |                                       |                                     |  |                                  |  |                |   |          |   |   |            |         |   |      |         |   |                |   |                |   |                |   |                |   |   |         |   |      |         |   |                |   |                |   |                |   |                |   |   |   |   |      |         |   |                |   |                |   |                |   |                |   |   |   |   |      |         |   |                |   |                |   |   |                          |   |                      |        |   |                |   |                |   |   |            |   |      |         |   |                |   |                |  |          |   |   |            |         |   |      |        |   |                |   |                |   |                |   |                |   |   |         |   |      |        |   |                |   |                |   |                |   |                |   |   |       |   |      |        |   |                |   |                |   |                |   |                |   |   |   |   |      |        |   |                |   |                |   |                |   |                |   |   |            |   |      |         |   |                |   |                |  |          |   |   |            |       |   |      |        |   |                |   |                |   |                |   |                |   |   |   |   |      |        |   |                |   |                |   |                |   |                |  |           |   |
| RDJF 30410 090                                 |   |   | F                             | C                        | screw vite                                      | 4                                     | 0,50                                | 1...250  | 4                                |  |                |   |          |   |   |            |         |   |      |         |   |                |   |                |   |                |   |                |   |   |         |   |      |         |   |                |   |                |   |                |   |                |   |   |   |   |      |         |   |                |   |                |   |                |   |                |   |   |   |   |      |         |   |                |   |                |   |   |                          |   |                      |        |   |                |   |                |   |   |            |   |      |         |   |                |   |                |  |          |   |   |            |         |   |      |        |   |                |   |                |   |                |   |                |   |   |         |   |      |        |   |                |   |                |   |                |   |                |   |   |       |   |      |        |   |                |   |                |   |                |   |                |   |   |   |   |      |        |   |                |   |                |   |                |   |                |   |   |            |   |      |         |   |                |   |                |  |          |   |   |            |       |   |      |        |   |                |   |                |   |                |   |                |   |   |   |   |      |        |   |                |   |                |   |                |   |                |  |           |   |
| RDJM 30410 090                                 |   |   | M                             |                          |   |                                       |                                     |  |                                  |  |                |   |          |   |   |            |         |   |      |         |   |                |   |                |   |                |   |                |   |   |         |   |      |         |   |                |   |                |   |                |   |                |   |   |   |   |      |         |   |                |   |                |   |                |   |                |   |   |   |   |      |         |   |                |   |                |   |   |                          |   |                      |        |   |                |   |                |   |   |            |   |      |         |   |                |   |                |  |          |   |   |            |         |   |      |        |   |                |   |                |   |                |   |                |   |   |         |   |      |        |   |                |   |                |   |                |   |                |   |   |       |   |      |        |   |                |   |                |   |                |   |                |   |   |   |   |      |        |   |                |   |                |   |                |   |                |   |   |            |   |      |         |   |                |   |                |  |          |   |   |            |       |   |      |        |   |                |   |                |   |                |   |                |   |   |   |   |      |        |   |                |   |                |   |                |   |                |  |           |   |
| RDJF 00510 070                                 |   |   |                               | M12 + A5                 | N   | F                                     | screw vite                          | 4...6,5  | 5                                | 0,75                                   | 1...60         |   |          | 4 |   |            |         |   |      |         |   |                |   |                |   |                |   |                |   |   |         |   |      |         |   |                |   |                |   |                |   |                |   |   |   |   |      |         |   |                |   |                |   |                |   |                |   |   |   |   |      |         |   |                |   |                |   |   |                          |   |                      |        |   |                |   |                |   |   |            |   |      |         |   |                |   |                |  |          |   |   |            |         |   |      |        |   |                |   |                |   |                |   |                |   |   |         |   |      |        |   |                |   |                |   |                |   |                |   |   |       |   |      |        |   |                |   |                |   |                |   |                |   |   |   |   |      |        |   |                |   |                |   |                |   |                |   |   |            |   |      |         |   |                |   |                |  |          |   |   |            |       |   |      |        |   |                |   |                |   |                |   |                |   |   |   |   |      |        |   |                |   |                |   |                |   |                |  |           |   |
| RDJM 00510 070                                 |   |   |                               |                          |   | M                                     |                                     |  |                                  |  |                |   |          |   |   |            |         |   |      |         |   |                |   |                |   |                |   |                |   |   |         |   |      |         |   |                |   |                |   |                |   |                |   |   |   |   |      |         |   |                |   |                |   |                |   |                |   |   |   |   |      |         |   |                |   |                |   |   |                          |   |                      |        |   |                |   |                |   |   |            |   |      |         |   |                |   |                |  |          |   |   |            |         |   |      |        |   |                |   |                |   |                |   |                |   |   |         |   |      |        |   |                |   |                |   |                |   |                |   |   |       |   |      |        |   |                |   |                |   |                |   |                |   |   |   |   |      |        |   |                |   |                |   |                |   |                |   |   |            |   |      |         |   |                |   |                |  |          |   |   |            |       |   |      |        |   |                |   |                |   |                |   |                |   |   |   |   |      |        |   |                |   |                |   |                |   |                |  |           |   |
| RDJF 00510 090                                 | F   |   |                               |                          |   |                                       |                                     |  |                                  |  |                |   |          |   |   |            |         |   |      |         |   |                |   |                |   |                |   |                |   |   |         |   |      |         |   |                |   |                |   |                |   |                |   |   |   |   |      |         |   |                |   |                |   |                |   |                |   |   |   |   |      |         |   |                |   |                |   |   |                          |   |                      |        |   |                |   |                |   |   |            |   |      |         |   |                |   |                |  |          |   |   |            |         |   |      |        |   |                |   |                |   |                |   |                |   |   |         |   |      |        |   |                |   |                |   |                |   |                |   |   |       |   |      |        |   |                |   |                |   |                |   |                |   |   |   |   |      |        |   |                |   |                |   |                |   |                |   |   |            |   |      |         |   |                |   |                |  |          |   |   |            |       |   |      |        |   |                |   |                |   |                |   |                |   |   |   |   |      |        |   |                |   |                |   |                |   |                |  |           |   |
| RDJM 00510 090                                 | M   |   |                               |                          |   |                                       |                                     |  |                                  |  |                |   |          |   |   |            |         |   |      |         |   |                |   |                |   |                |   |                |   |   |         |   |      |         |   |                |   |                |   |                |   |                |   |   |   |   |      |         |   |                |   |                |   |                |   |                |   |   |   |   |      |         |   |                |   |                |   |   |                          |   |                      |        |   |                |   |                |   |   |            |   |      |         |   |                |   |                |  |          |   |   |            |         |   |      |        |   |                |   |                |   |                |   |                |   |   |         |   |      |        |   |                |   |                |   |                |   |                |   |   |       |   |      |        |   |                |   |                |   |                |   |                |   |   |   |   |      |        |   |                |   |                |   |                |   |                |   |   |            |   |      |         |   |                |   |                |  |          |   |   |            |       |   |      |        |   |                |   |                |   |                |   |                |   |   |   |   |      |        |   |                |   |                |   |                |   |                |  |           |   |
| RDJF 00510 075                                 | F   | S   |                               |                          | 4...6,5   | 5                                     | 0,75                                | 1...60   | 4                                |  |                |   |          |   |   |            |         |   |      |         |   |                |   |                |   |                |   |                |   |   |         |   |      |         |   |                |   |                |   |                |   |                |   |   |   |   |      |         |   |                |   |                |   |                |   |                |   |   |   |   |      |         |   |                |   |                |   |   |                          |   |                      |        |   |                |   |                |   |   |            |   |      |         |   |                |   |                |  |          |   |   |            |         |   |      |        |   |                |   |                |   |                |   |                |   |   |         |   |      |        |   |                |   |                |   |                |   |                |   |   |       |   |      |        |   |                |   |                |   |                |   |                |   |   |   |   |      |        |   |                |   |                |   |                |   |                |   |   |            |   |      |         |   |                |   |                |  |          |   |   |            |       |   |      |        |   |                |   |                |   |                |   |                |   |   |   |   |      |        |   |                |   |                |   |                |   |                |  |           |   |
| RDJM 00510 075                                 | M   |   |                               |                          |   |                                       |                                     |  |                                  |  |                |   |          |   |   |            |         |   |      |         |   |                |   |                |   |                |   |                |   |   |         |   |      |         |   |                |   |                |   |                |   |                |   |   |   |   |      |         |   |                |   |                |   |                |   |                |   |   |   |   |      |         |   |                |   |                |   |   |                          |   |                      |        |   |                |   |                |   |   |            |   |      |         |   |                |   |                |  |          |   |   |            |         |   |      |        |   |                |   |                |   |                |   |                |   |   |         |   |      |        |   |                |   |                |   |                |   |                |   |   |       |   |      |        |   |                |   |                |   |                |   |                |   |   |   |   |      |        |   |                |   |                |   |                |   |                |   |   |            |   |      |         |   |                |   |                |  |          |   |   |            |       |   |      |        |   |                |   |                |   |                |   |                |   |   |   |   |      |        |   |                |   |                |   |                |   |                |  |           |   |
| RDJF 00510 095                                 | F   |   |                               |                          |   |                                       |                                     |  |                                  |  |                |   |          |   |   |            |         |   |      |         |   |                |   |                |   |                |   |                |   |   |         |   |      |         |   |                |   |                |   |                |   |                |   |   |   |   |      |         |   |                |   |                |   |                |   |                |   |   |   |   |      |         |   |                |   |                |   |   |                          |   |                      |        |   |                |   |                |   |   |            |   |      |         |   |                |   |                |  |          |   |   |            |         |   |      |        |   |                |   |                |   |                |   |                |   |   |         |   |      |        |   |                |   |                |   |                |   |                |   |   |       |   |      |        |   |                |   |                |   |                |   |                |   |   |   |   |      |        |   |                |   |                |   |                |   |                |   |   |            |   |      |         |   |                |   |                |  |          |   |   |            |       |   |      |        |   |                |   |                |   |                |   |                |   |   |   |   |      |        |   |                |   |                |   |                |   |                |  |           |   |
| RDJM 00510 095                                 | M   |   |                               |                          |   |                                       |                                     |  |                                  |  |                |   |          |   |   |            |         |   |      |         |   |                |   |                |   |                |   |                |   |   |         |   |      |         |   |                |   |                |   |                |   |                |   |   |   |   |      |         |   |                |   |                |   |                |   |                |   |   |   |   |      |         |   |                |   |                |   |   |                          |   |                      |        |   |                |   |                |   |   |            |   |      |         |   |                |   |                |  |          |   |   |            |         |   |      |        |   |                |   |                |   |                |   |                |   |   |         |   |      |        |   |                |   |                |   |                |   |                |   |   |       |   |      |        |   |                |   |                |   |                |   |                |   |   |   |   |      |        |   |                |   |                |   |                |   |                |   |   |            |   |      |         |   |                |   |                |  |          |   |   |            |       |   |      |        |   |                |   |                |   |                |   |                |   |   |   |   |      |        |   |                |   |                |   |                |   |                |  |           |   |
| RDJF 00510 096                                 | F   | P   |                               |                          | 6...8   | 5                                     | 0,75                                | 1...60   | 4                                |  |                |   |          |   |   |            |         |   |      |         |   |                |   |                |   |                |   |                |   |   |         |   |      |         |   |                |   |                |   |                |   |                |   |   |   |   |      |         |   |                |   |                |   |                |   |                |   |   |   |   |      |         |   |                |   |                |   |   |                          |   |                      |        |   |                |   |                |   |   |            |   |      |         |   |                |   |                |  |          |   |   |            |         |   |      |        |   |                |   |                |   |                |   |                |   |   |         |   |      |        |   |                |   |                |   |                |   |                |   |   |       |   |      |        |   |                |   |                |   |                |   |                |   |   |   |   |      |        |   |                |   |                |   |                |   |                |   |   |            |   |      |         |   |                |   |                |  |          |   |   |            |       |   |      |        |   |                |   |                |   |                |   |                |   |   |   |   |      |        |   |                |   |                |   |                |   |                |  |           |   |
| RDJM 00510 096                                 | M   |   |                               |                          |   |                                       |                                     |  |                                  |  |                |   |          |   |   |            |         |   |      |         |   |                |   |                |   |                |   |                |   |   |         |   |      |         |   |                |   |                |   |                |   |                |   |   |   |   |      |         |   |                |   |                |   |                |   |                |   |   |   |   |      |         |   |                |   |                |   |   |                          |   |                      |        |   |                |   |                |   |   |            |   |      |         |   |                |   |                |  |          |   |   |            |         |   |      |        |   |                |   |                |   |                |   |                |   |   |         |   |      |        |   |                |   |                |   |                |   |                |   |   |       |   |      |        |   |                |   |                |   |                |   |                |   |   |   |   |      |        |   |                |   |                |   |                |   |                |   |   |            |   |      |         |   |                |   |                |  |          |   |   |            |       |   |      |        |   |                |   |                |   |                |   |                |   |   |   |   |      |        |   |                |   |                |   |                |   |                |  |           |   |
| RDJF 00510 120                                 | F   |   |                               |                          |   |                                       |                                     |  |                                  |  |                |   |          |   |   |            |         |   |      |         |   |                |   |                |   |                |   |                |   |   |         |   |      |         |   |                |   |                |   |                |   |                |   |   |   |   |      |         |   |                |   |                |   |                |   |                |   |   |   |   |      |         |   |                |   |                |   |   |                          |   |                      |        |   |                |   |                |   |   |            |   |      |         |   |                |   |                |  |          |   |   |            |         |   |      |        |   |                |   |                |   |                |   |                |   |   |         |   |      |        |   |                |   |                |   |                |   |                |   |   |       |   |      |        |   |                |   |                |   |                |   |                |   |   |   |   |      |        |   |                |   |                |   |                |   |                |   |   |            |   |      |         |   |                |   |                |  |          |   |   |            |       |   |      |        |   |                |   |                |   |                |   |                |   |   |   |   |      |        |   |                |   |                |   |                |   |                |  |           |   |
| RDJM 00510 120                                 | M   |   |                               |                          |   |                                       |                                     |  |                                  |  |                |   |          |   |   |            |         |   |      |         |   |                |   |                |   |                |   |                |   |   |         |   |      |         |   |                |   |                |   |                |   |                |   |   |   |   |      |         |   |                |   |                |   |                |   |                |   |   |   |   |      |         |   |                |   |                |   |   |                          |   |                      |        |   |                |   |                |   |   |            |   |      |         |   |                |   |                |  |          |   |   |            |         |   |      |        |   |                |   |                |   |                |   |                |   |   |         |   |      |        |   |                |   |                |   |                |   |                |   |   |       |   |      |        |   |                |   |                |   |                |   |                |   |   |   |   |      |        |   |                |   |                |   |                |   |                |   |   |            |   |      |         |   |                |   |                |  |          |   |   |            |       |   |      |        |   |                |   |                |   |                |   |                |   |   |   |   |      |        |   |                |   |                |   |                |   |                |  |           |   |
| RDJF 00510 125                                 | F   | N   |                               |                          | double cable<br>doppio cavo<br>2,1...3<br>4...5 | 5                                     | 0,75                                | 1...60   | 4                                |  |                |   |          |   |   |            |         |   |      |         |   |                |   |                |   |                |   |                |   |   |         |   |      |         |   |                |   |                |   |                |   |                |   |   |   |   |      |         |   |                |   |                |   |                |   |                |   |   |   |   |      |         |   |                |   |                |   |   |                          |   |                      |        |   |                |   |                |   |   |            |   |      |         |   |                |   |                |  |          |   |   |            |         |   |      |        |   |                |   |                |   |                |   |                |   |   |         |   |      |        |   |                |   |                |   |                |   |                |   |   |       |   |      |        |   |                |   |                |   |                |   |                |   |   |   |   |      |        |   |                |   |                |   |                |   |                |   |   |            |   |      |         |   |                |   |                |  |          |   |   |            |       |   |      |        |   |                |   |                |   |                |   |                |   |   |   |   |      |        |   |                |   |                |   |                |   |                |  |           |   |
| RDJM 00510 125                                 | M   |   |                               |                          |   |                                       |                                     |  |                                  |  |                |   |          |   |   |            |         |   |      |         |   |                |   |                |   |                |   |                |   |   |         |   |      |         |   |                |   |                |   |                |   |                |   |   |   |   |      |         |   |                |   |                |   |                |   |                |   |   |   |   |      |         |   |                |   |                |   |   |                          |   |                      |        |   |                |   |                |   |   |            |   |      |         |   |                |   |                |  |          |   |   |            |         |   |      |        |   |                |   |                |   |                |   |                |   |   |         |   |      |        |   |                |   |                |   |                |   |                |   |   |       |   |      |        |   |                |   |                |   |                |   |                |   |   |   |   |      |        |   |                |   |                |   |                |   |                |   |   |            |   |      |         |   |                |   |                |  |          |   |   |            |       |   |      |        |   |                |   |                |   |                |   |                |   |   |   |   |      |        |   |                |   |                |   |                |   |                |  |           |   |
| RDJF 00510 126                                 | F   |   |                               |                          |   |                                       |                                     |  |                                  |  |                |   |          |   |   |            |         |   |      |         |   |                |   |                |   |                |   |                |   |   |         |   |      |         |   |                |   |                |   |                |   |                |   |   |   |   |      |         |   |                |   |                |   |                |   |                |   |   |   |   |      |         |   |                |   |                |   |   |                          |   |                      |        |   |                |   |                |   |   |            |   |      |         |   |                |   |                |  |          |   |   |            |         |   |      |        |   |                |   |                |   |                |   |                |   |   |         |   |      |        |   |                |   |                |   |                |   |                |   |   |       |   |      |        |   |                |   |                |   |                |   |                |   |   |   |   |      |        |   |                |   |                |   |                |   |                |   |   |            |   |      |         |   |                |   |                |  |          |   |   |            |       |   |      |        |   |                |   |                |   |                |   |                |   |   |   |   |      |        |   |                |   |                |   |                |   |                |  |           |   |
| RDJM 00510 126                                 | M   |   |                               |                          |   |                                       |                                     |  |                                  |  |                |   |          |   |   |            |         |   |      |         |   |                |   |                |   |                |   |                |   |   |         |   |      |         |   |                |   |                |   |                |   |                |   |   |   |   |      |         |   |                |   |                |   |                |   |                |   |   |   |   |      |         |   |                |   |                |   |   |                          |   |                      |        |   |                |   |                |   |   |            |   |      |         |   |                |   |                |  |          |   |   |            |         |   |      |        |   |                |   |                |   |                |   |                |   |   |         |   |      |        |   |                |   |                |   |                |   |                |   |   |       |   |      |        |   |                |   |                |   |                |   |                |   |   |   |   |      |        |   |                |   |                |   |                |   |                |   |   |            |   |      |         |   |                |   |                |  |          |   |   |            |       |   |      |        |   |                |   |                |   |                |   |                |   |   |   |   |      |        |   |                |   |                |   |                |   |                |  |           |   |
| RDJF 30510 090                                 | F   | C   |                               |                          | screw vite                                      | 5                                     | 0,50                                | 1...125  | 4                                |  |                |   |          |   |   |            |         |   |      |         |   |                |   |                |   |                |   |                |   |   |         |   |      |         |   |                |   |                |   |                |   |                |   |   |   |   |      |         |   |                |   |                |   |                |   |                |   |   |   |   |      |         |   |                |   |                |   |   |                          |   |                      |        |   |                |   |                |   |   |            |   |      |         |   |                |   |                |  |          |   |   |            |         |   |      |        |   |                |   |                |   |                |   |                |   |   |         |   |      |        |   |                |   |                |   |                |   |                |   |   |       |   |      |        |   |                |   |                |   |                |   |                |   |   |   |   |      |        |   |                |   |                |   |                |   |                |   |   |            |   |      |         |   |                |   |                |  |          |   |   |            |       |   |      |        |   |                |   |                |   |                |   |                |   |   |   |   |      |        |   |                |   |                |   |                |   |                |  |           |   |
| RDJM 30510 090                                 | M   |   |                               |                          |   |                                       |                                     |  |                                  |  |                |   |          |   |   |            |         |   |      |         |   |                |   |                |   |                |   |                |   |   |         |   |      |         |   |                |   |                |   |                |   |                |   |   |   |   |      |         |   |                |   |                |   |                |   |                |   |   |   |   |      |         |   |                |   |                |   |   |                          |   |                      |        |   |                |   |                |   |   |            |   |      |         |   |                |   |                |  |          |   |   |            |         |   |      |        |   |                |   |                |   |                |   |                |   |   |         |   |      |        |   |                |   |                |   |                |   |                |   |   |       |   |      |        |   |                |   |                |   |                |   |                |   |   |   |   |      |        |   |                |   |                |   |                |   |                |   |   |            |   |      |         |   |                |   |                |  |          |   |   |            |       |   |      |        |   |                |   |                |   |                |   |                |   |   |   |   |      |        |   |                |   |                |   |                |   |                |  |           |   |
| RDJF 00810 090                                 |   | M12 + A8  |                               |                          | N   | F                                     | screw vite                          | 6...8  | 8                                | 0,50                                   | 1...30         | 2 |          |   |   |            |         |   |      |         |   |                |   |                |   |                |   |                |   |   |         |   |      |         |   |                |   |                |   |                |   |                |   |   |   |   |      |         |   |                |   |                |   |                |   |                |   |   |   |   |      |         |   |                |   |                |   |   |                          |   |                      |        |   |                |   |                |   |   |            |   |      |         |   |                |   |                |  |          |   |   |            |         |   |      |        |   |                |   |                |   |                |   |                |   |   |         |   |      |        |   |                |   |                |   |                |   |                |   |   |       |   |      |        |   |                |   |                |   |                |   |                |   |   |   |   |      |        |   |                |   |                |   |                |   |                |   |   |            |   |      |         |   |                |   |                |  |          |   |   |            |       |   |      |        |   |                |   |                |   |                |   |                |   |   |   |   |      |        |   |                |   |                |   |                |   |                |  |           |   |
| RDJM 00810 090                                 |   |   |                               |                          |   | M                                     |                                     |  |                                  |  |                |   |          |   |   |            |         |   |      |         |   |                |   |                |   |                |   |                |   |   |         |   |      |         |   |                |   |                |   |                |   |                |   |   |   |   |      |         |   |                |   |                |   |                |   |                |   |   |   |   |      |         |   |                |   |                |   |   |                          |   |                      |        |   |                |   |                |   |   |            |   |      |         |   |                |   |                |  |          |   |   |            |         |   |      |        |   |                |   |                |   |                |   |                |   |   |         |   |      |        |   |                |   |                |   |                |   |                |   |   |       |   |      |        |   |                |   |                |   |                |   |                |   |   |   |   |      |        |   |                |   |                |   |                |   |                |   |   |            |   |      |         |   |                |   |                |  |          |   |   |            |       |   |      |        |   |                |   |                |   |                |   |                |   |   |   |   |      |        |   |                |   |                |   |                |   |                |  |           |   |
| RDJF 00810 095                                 |   |   | F                             |                          |   |                                       |                                     |  |                                  |  |                |   |          |   |   |            |         |   |      |         |   |                |   |                |   |                |   |                |   |   |         |   |      |         |   |                |   |                |   |                |   |                |   |   |   |   |      |         |   |                |   |                |   |                |   |                |   |   |   |   |      |         |   |                |   |                |   |   |                          |   |                      |        |   |                |   |                |   |   |            |   |      |         |   |                |   |                |  |          |   |   |            |         |   |      |        |   |                |   |                |   |                |   |                |   |   |         |   |      |        |   |                |   |                |   |                |   |                |   |   |       |   |      |        |   |                |   |                |   |                |   |                |   |   |   |   |      |        |   |                |   |                |   |                |   |                |   |   |            |   |      |         |   |                |   |                |  |          |   |   |            |       |   |      |        |   |                |   |                |   |                |   |                |   |   |   |   |      |        |   |                |   |                |   |                |   |                |  |           |   |
| RDJM 00810 095                                 |   |   | M                             |                          |   |                                       |                                     |  |                                  |  |                |   |          |   |   |            |         |   |      |         |   |                |   |                |   |                |   |                |   |   |         |   |      |         |   |                |   |                |   |                |   |                |   |   |   |   |      |         |   |                |   |                |   |                |   |                |   |   |   |   |      |         |   |                |   |                |   |   |                          |   |                      |        |   |                |   |                |   |   |            |   |      |         |   |                |   |                |  |          |   |   |            |         |   |      |        |   |                |   |                |   |                |   |                |   |   |         |   |      |        |   |                |   |                |   |                |   |                |   |   |       |   |      |        |   |                |   |                |   |                |   |                |   |   |   |   |      |        |   |                |   |                |   |                |   |                |   |   |            |   |      |         |   |                |   |                |  |          |   |   |            |       |   |      |        |   |                |   |                |   |                |   |                |   |   |   |   |      |        |   |                |   |                |   |                |   |                |  |           |   |
| RDJF 00810 120                                 |   |   | F                             | S                        | double cable<br>doppio cavo<br>2,1...3<br>4...5 | 8                                     | 0,50                                | 1...30   | 2                                |  |                |   |          |   |   |            |         |   |      |         |   |                |   |                |   |                |   |                |   |   |         |   |      |         |   |                |   |                |   |                |   |                |   |   |   |   |      |         |   |                |   |                |   |                |   |                |   |   |   |   |      |         |   |                |   |                |   |   |                          |   |                      |        |   |                |   |                |   |   |            |   |      |         |   |                |   |                |  |          |   |   |            |         |   |      |        |   |                |   |                |   |                |   |                |   |   |         |   |      |        |   |                |   |                |   |                |   |                |   |   |       |   |      |        |   |                |   |                |   |                |   |                |   |   |   |   |      |        |   |                |   |                |   |                |   |                |   |   |            |   |      |         |   |                |   |                |  |          |   |   |            |       |   |      |        |   |                |   |                |   |                |   |                |   |   |   |   |      |        |   |                |   |                |   |                |   |                |  |           |   |
| RDJM 00810 120                                 |   |   | M                             |                          |   |                                       |                                     |  |                                  |  |                |   |          |   |   |            |         |   |      |         |   |                |   |                |   |                |   |                |   |   |         |   |      |         |   |                |   |                |   |                |   |                |   |   |   |   |      |         |   |                |   |                |   |                |   |                |   |   |   |   |      |         |   |                |   |                |   |   |                          |   |                      |        |   |                |   |                |   |   |            |   |      |         |   |                |   |                |  |          |   |   |            |         |   |      |        |   |                |   |                |   |                |   |                |   |   |         |   |      |        |   |                |   |                |   |                |   |                |   |   |       |   |      |        |   |                |   |                |   |                |   |                |   |   |   |   |      |        |   |                |   |                |   |                |   |                |   |   |            |   |      |         |   |                |   |                |  |          |   |   |            |       |   |      |        |   |                |   |                |   |                |   |                |   |   |   |   |      |        |   |                |   |                |   |                |   |                |  |           |   |
| RDJF 00810 125                                 |   |   | F                             |                          |   |                                       |                                     |  |                                  |  |                |   |          |   |   |            |         |   |      |         |   |                |   |                |   |                |   |                |   |   |         |   |      |         |   |                |   |                |   |                |   |                |   |   |   |   |      |         |   |                |   |                |   |                |   |                |   |   |   |   |      |         |   |                |   |                |   |   |                          |   |                      |        |   |                |   |                |   |   |            |   |      |         |   |                |   |                |  |          |   |   |            |         |   |      |        |   |                |   |                |   |                |   |                |   |   |         |   |      |        |   |                |   |                |   |                |   |                |   |   |       |   |      |        |   |                |   |                |   |                |   |                |   |   |   |   |      |        |   |                |   |                |   |                |   |                |   |   |            |   |      |         |   |                |   |                |  |          |   |   |            |       |   |      |        |   |                |   |                |   |                |   |                |   |   |   |   |      |        |   |                |   |                |   |                |   |                |  |           |   |
| RDJM 00810 125                                 |   |   | M                             |                          |   |                                       |                                     |  |                                  |  |                |   |          |   |   |            |         |   |      |         |   |                |   |                |   |                |   |                |   |   |         |   |      |         |   |                |   |                |   |                |   |                |   |   |   |   |      |         |   |                |   |                |   |                |   |                |   |   |   |   |      |         |   |                |   |                |   |   |                          |   |                      |        |   |                |   |                |   |   |            |   |      |         |   |                |   |                |  |          |   |   |            |         |   |      |        |   |                |   |                |   |                |   |                |   |   |         |   |      |        |   |                |   |                |   |                |   |                |   |   |       |   |      |        |   |                |   |                |   |                |   |                |   |   |   |   |      |        |   |                |   |                |   |                |   |                |   |   |            |   |      |         |   |                |   |                |  |          |   |   |            |       |   |      |        |   |                |   |                |   |                |   |                |   |   |   |   |      |        |   |                |   |                |   |                |   |                |  |           |   |
| RDJF 01211 090                                 |   | M12 + A12   | N                             | F                        | solder<br>saldatura                             | 6...8                                 | 12                                  | 0,25   | 1...30                           | 1                                      |                |   |          |   |   |            |         |   |      |         |   |                |   |                |   |                |   |                |   |   |         |   |      |         |   |                |   |                |   |                |   |                |   |   |   |   |      |         |   |                |   |                |   |                |   |                |   |   |   |   |      |         |   |                |   |                |   |   |                          |   |                      |        |   |                |   |                |   |   |            |   |      |         |   |                |   |                |  |          |   |   |            |         |   |      |        |   |                |   |                |   |                |   |                |   |   |         |   |      |        |   |                |   |                |   |                |   |                |   |   |       |   |      |        |   |                |   |                |   |                |   |                |   |   |   |   |      |        |   |                |   |                |   |                |   |                |   |   |            |   |      |         |   |                |   |                |  |          |   |   |            |       |   |      |        |   |                |   |                |   |                |   |                |   |   |   |   |      |        |   |                |   |                |   |                |   |                |  |           |   |
| RDJM 01211 090                                 |   |   |                               | M                        |   |                                       |                                     |  |                                  |  |                |   |          |   |   |            |         |   |      |         |   |                |   |                |   |                |   |                |   |   |         |   |      |         |   |                |   |                |   |                |   |                |   |   |   |   |      |         |   |                |   |                |   |                |   |                |   |   |   |   |      |         |   |                |   |                |   |   |                          |   |                      |        |   |                |   |                |   |   |            |   |      |         |   |                |   |                |  |          |   |   |            |         |   |      |        |   |                |   |                |   |                |   |                |   |   |         |   |      |        |   |                |   |                |   |                |   |                |   |   |       |   |      |        |   |                |   |                |   |                |   |                |   |   |   |   |      |        |   |                |   |                |   |                |   |                |   |   |            |   |      |         |   |                |   |                |  |          |   |   |            |       |   |      |        |   |                |   |                |   |                |   |                |   |   |   |   |      |        |   |                |   |                |   |                |   |                |  |           |   |

(a1) yellow codes are preferred; | i codici gialli sono preferiti

(a3) the protection degree level is guaranteed only when correctly assembled with Shield's counterpart;  
 il livello del grado di protezione è garantito solo quando correttamente montato con la controparte Shield.

(a6) F = female; M = male; | F = femmina; M = maschio.

(a9) C = whole nickel plated metal body; N = nickel plated metal nut + plastic body; S = stainless steel nut + plastic body; P = plastic nut + plastic body (plastic = PA66 30%GF);

C = corpo tutto in metallo nichelato; N = ghiera metallo nichelato + corpo plastica; S = ghiera acciaio inox + corpo plastica; P = ghiera plastica + corpo plastica (plastica = PA6630%GF).