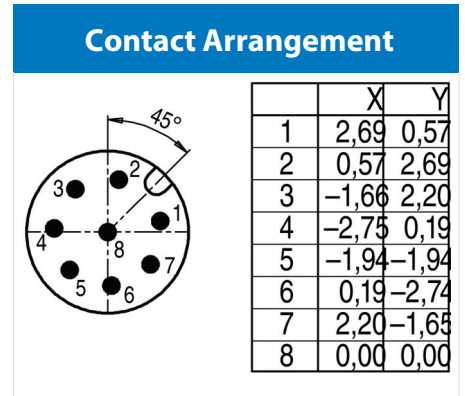
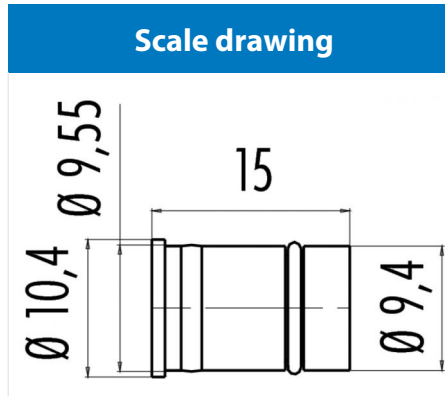


Product	<b>Contacts: 8, Integrated plug, recessed, with o-ring, solder, solder buckets protruding 2 mm</b>	Area	<b>M12-A Series 713</b>
Pole	<b>8</b>	Article number	<b>09 0381 274 08</b>



## Technical data

### Common values

Connector Design	Integrated male connector
Connector locking system	screw
Termination	Solder
Wire gauge (mm)	0.25 mm <sup>2</sup>
Wire gauge (AWG)	24
Upper temperature	85 °C
Lower temperature	-40 °C

### Electrical values

Rated voltage	60 V
Rated impulse voltage	800 V
Pollution degree	3
Overvoltage category	II
Material group	II
Rated current (40°C)	2 A
Volume resistivity	≤ 3 mΩ
EMV compliance	not shielded
Degree of protection	IP67
Mechanical operation	> 100 mating cycles

### Material

Material of contact	CuZn (Brass)
Contact plating	Au (Gold)
Material of contact body	PA

Contacts: 8, Integrated plug, recessed, with o-ring, solder, without sealing hole, with 8 contacts, solder buckets protruding 2 mm