

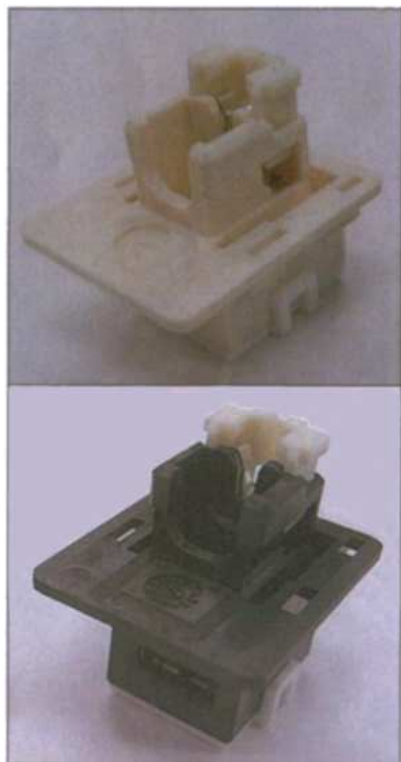
NEW PRODUCT

JST

For CCFL tube connection

CA CONNECTOR

This CA connector is a card edge connector to connect between outer lead of CCFL tube and inverter PCB and withstands high voltage. It is used for power supply of backlight in Liquid Crystal Display Television set.

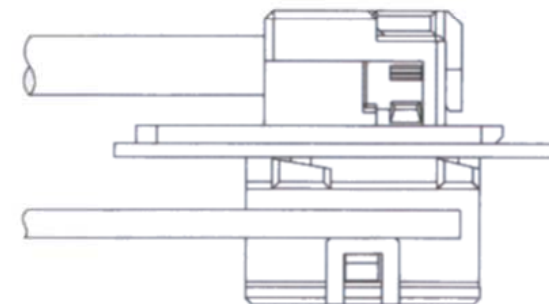
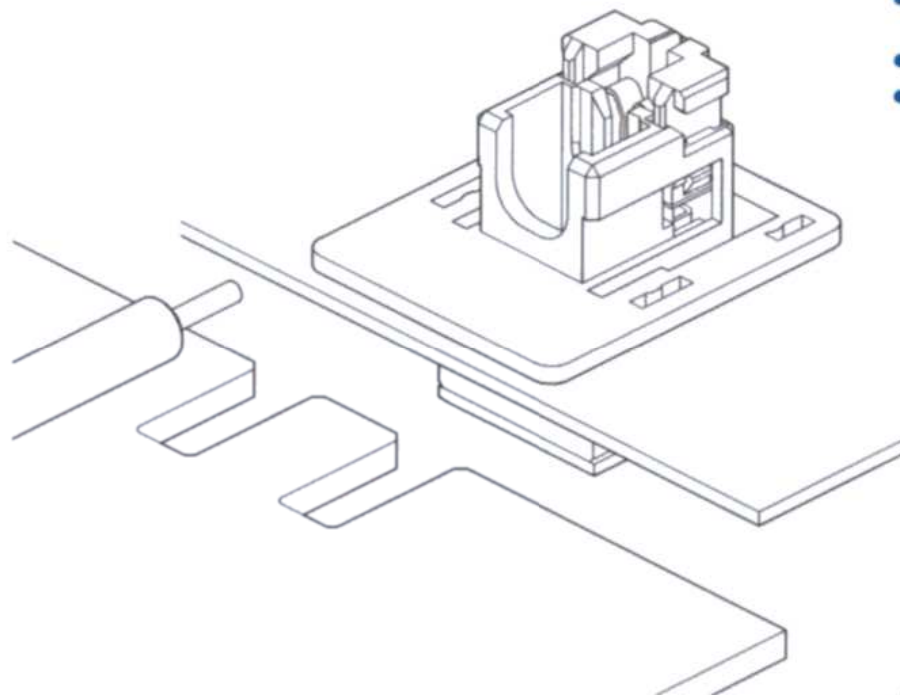


■ Features

- **Withstand high voltage**
- **It is a ZIF type connector and the CCFL tube can be used as it is.**
- **Soldering for CCFL tube is not required.**

■ Specifications

- Current rating : 1.0A AC,DC
- Voltage rating : 3,000V AC,DC
- Temperature range : -25°C to +150°C (including temperature rise in applying electrical current)
- Contact resistance : Initial value / 10mΩ max. After environmental testing / 20mΩ max.
- Insulation resistance : 1,000MΩ min.
- Withstanding voltage : AC4,500V / 1minute
- Applicable PC board : 1.6 ± 0.1mm thickness
- No. of Circuits : 1-circuit
- Part number : E01B-CAL-2



J.S.T. MFG. CO., LTD.

<http://www.jst-mfg.com>