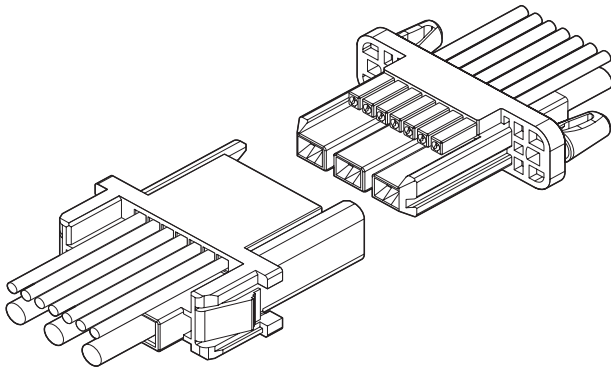


RIJ CONNECTOR

Disconnectable Crimp style Wire-to-wire connectors



This connector is a hybrid type double-row drawer connector with combined signal and power supply circuits to connect the units. In the signal part, the number of parts reduced by connecting the crimping contact directly.

- **Space saving**
- **Panel locking device**
- **Hybrid type**

Specifications

- Current rating: Signal circuit/2A AC, DC (AWG#24)
Power supply circuit/15A AC, DC (AWG#14)
- Voltage rating: Signal circuit/50V AC, DC
Power supply circuit/250V AC, DC
- Temperature range: -25°C to +85°C
(including temperature rise in applying electrical current)
- Contact resistance:

Signal circuit	Initial value/20m Ω max.
	After environmental testing/40m Ω max.
Power supply circuit	Initial value/10m Ω max.
	After environmental testing/30m Ω max.
- Insulation resistance: 1,000M Ω min.
- Withstanding voltage: Signal circuit 500V AC/minute
Power supply circuit 1,500V AC/minute
- Applicable wire: Signal circuit
Conductor size/AWG#28 to #24
Insulation O.D./0.9 to 1.5mm
Power supply circuit
Conductor size/AWG#18 to #14
Insulation O.D./2.0 to 3.6mm

* Compliant with RoHS.

* Refer to "General Instruction and Notice when using Terminals and Connectors" at the end of this catalog.

* Contact JST for details.

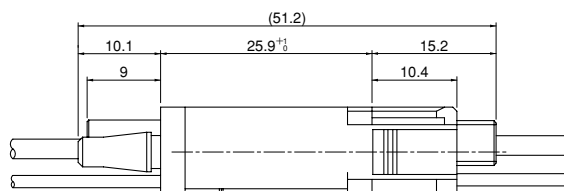
Standards

Ⓜ Recognized E 60389

Ⓢ Certified LR 20812

⚠ J50102230

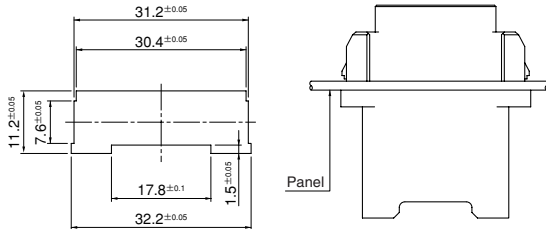
Assembly layout



Panel layout

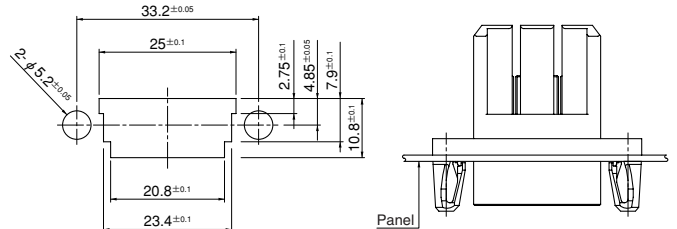
Plug

- Standard type
Panel thickness: 1.6, 2.0mm



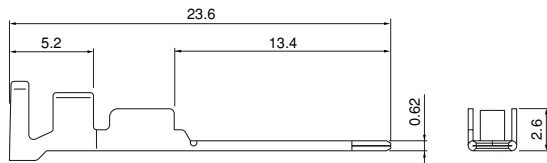
Receptacle

- Standard type
Panel thickness: 1.0mm



- Note: 1. Punch holes in the panel according to the figures shown above. Burrs must be removed.
2. The strength of the panel must be considered when punching two or more holes.
3. The connector must be inserted from the same side as the hole is punched.

Plug contact for power supply circuit



Model No.	Applicable wire		Insulation O.D. (mm)	Q'ty / reel
	mm ²	AWG #		
SRWM-61GG-S0.6	0.75~2.0	18~14	2.0~3.6	3,000

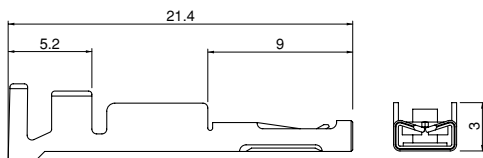
Material and Finish

Copper alloy, nickel-undercoated, Mating part; gold-plated
Crimping part; tin-plated (reflow treatment)

RoHS compliance This product displays (LF)(SN) on a label.

Contact	Crimping machine	Applicator		
		Crimp applicator	Dies	Crimp applicator with dies
SRWM-61GG-S0.6	AP-K2N	MKS-L	MK/SRPF/M-61-06	APLMK SRPF/M61-06

Receptacle contact for power supply circuit



Model No.	Applicable wire		Insulation O.D. (mm)	Q'ty / reel
	mm ²	AWG #		
SRWF-61GG-M0.6	0.75~2.0	18~14	2.0~3.6	3,000

Material and Finish

Copper alloy, nickel-undercoated, Mating part; gold-plated
Crimping part; tin-plated (reflow treatment)

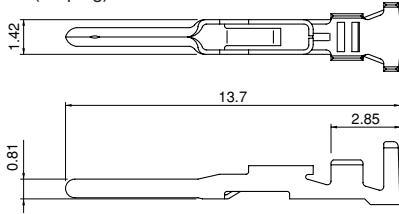
RoHS compliance This product displays (LF)(SN) on a label.

Contact	Crimping machine	Applicator		
		Crimp applicator	Dies	Crimp applicator with dies
SRWF-61GG-M0.6	AP-K2N	MKS-L	MK/SRPF/M-61-06	APLMK SRPF/M61-06

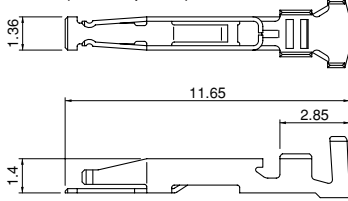
RIJ CONNECTOR

Contact for signal circuit

● Pin contact (for plug)



● Socket contact (for receptacle)



Model No.		Applicable wire		Insulation O.D. (mm)	Q'ty / reel
Pin contact	Socket contact	mm ²	AWG #		
RPJ-SP2331	RPJ-SS2331	0.08~0.22	28~24	0.9~1.5	10,000

Material and Finish

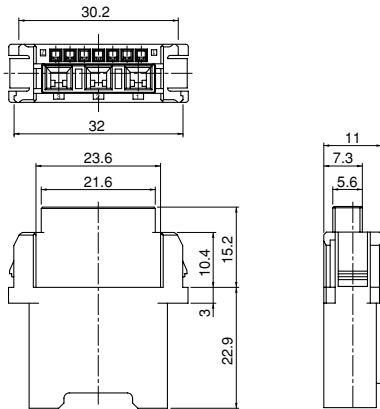
Phosphor bronze, nickel-undercoated, gold-plated

RoHS compliance

Contact	Crimping machine	Applicator		
		Crimp applicator	Dies	Crimp applicator with dies
RPJ-SP2331	AP-K2N	MKS-L	MK/RPJ-SP/SS2	APLMK RPJ-SP/SS2
RPJ-SS2331		—	—	—

Plug

Hybrid type
(Connector with integrated signal and power)



Circuits		Model No.	Q'ty / box
Power supply	Signal		
3	7	07P-RIJ-K-3RL	880

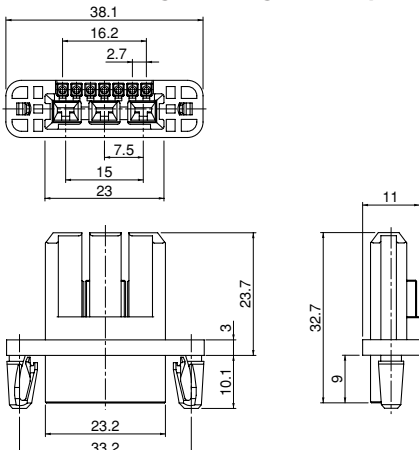
Material

PBT · UL94V-0, black

RoHS compliance

Receptacle

Hybrid type
(Connector with integrated signal and power)



Circuits		Model No.	Q'ty / box
Power supply	Signal		
3	7	07R-RIJ-K-R3FI	880

Material

PBT · UL94V-0, black

RoHS compliance