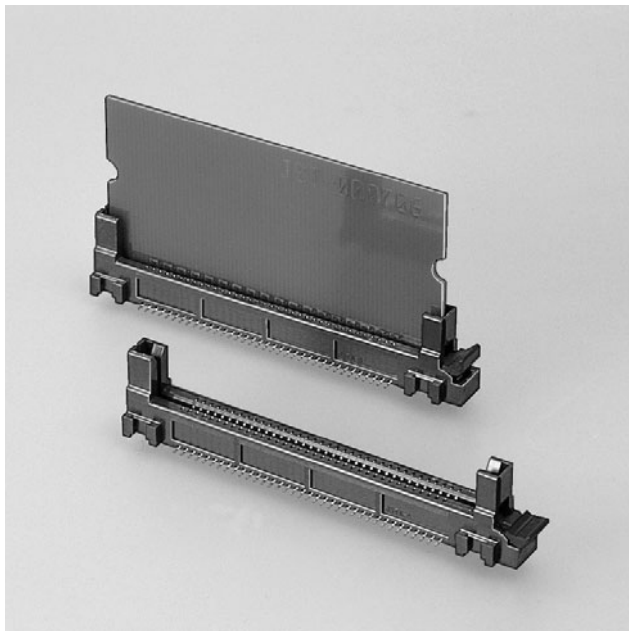
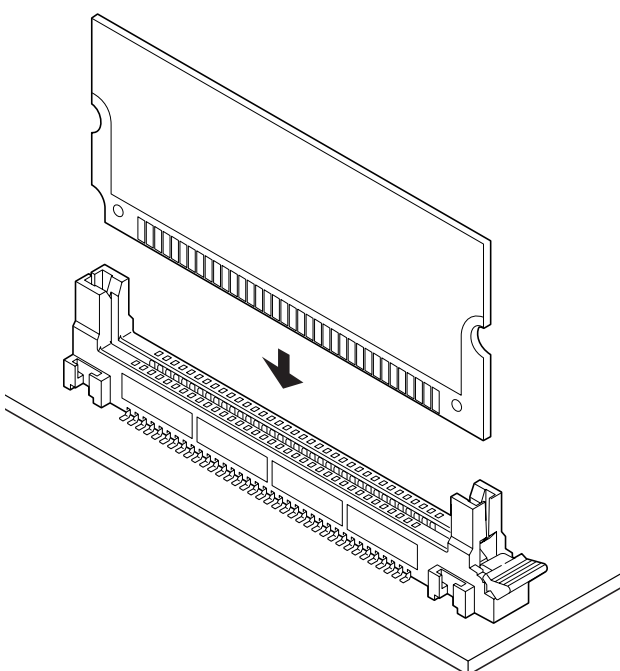


DM-72P CONNECTOR

Socket for DIMM



Standardized by the JEDEC (MO-160).
The DM connector is the straight type of the DIMM socket, applicable to the module PC board whose operating voltage is 3.3V.



Features

- **Easy module ejecting**

The module can be disengaged easily by using the eject button.

- **14mm height**

With its 14mm height, the DM connector is applicable to various equipment.

Specifications

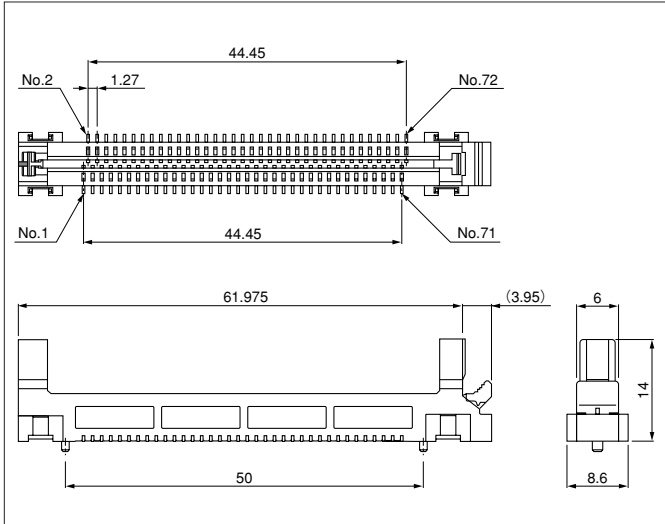
- Current rating: 0.5A AC, DC
- Voltage rating: 250V AC, DC
- Temperature range: -25°C to +85°C
(including temperature rise in applying electrical current)
- Insulation resistance: 250M Ω min.
- Withstanding voltage: 250V AC/minute
- * Compliant with RoHS.
- * Refer to "General Instruction and Notice when using Terminals and Connectors" at the end of this catalog.
- * Contact JST for details.

Standards

 Recognized E60389

DM-72P CONNECTOR

Connector

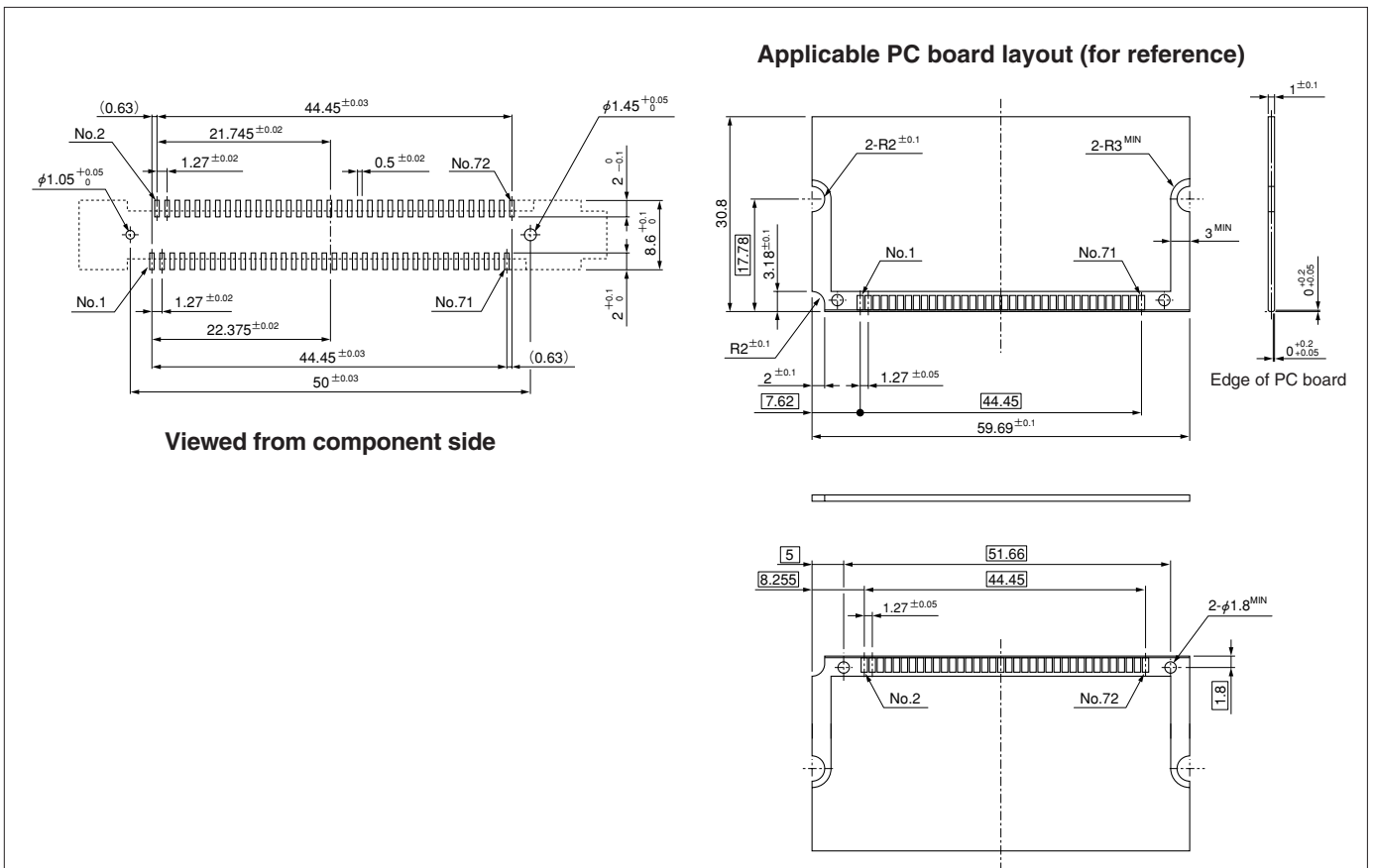


Model No.	Q'ty / box
DM-2D4-N3200	224

Material and Finish
Contact: Copper alloy, nickel-undercoated, gold-plated Housing: Heat resisting resin, UL94V-0 Ejector: Heat resisting resin, UL94V-0

RoHS compliance

PC board layout



Note: 1. Tolerances are non-cumulative: ±0.02mm for all centers.
2. The dimensions above should serve as a guideline. Contact JST for details.