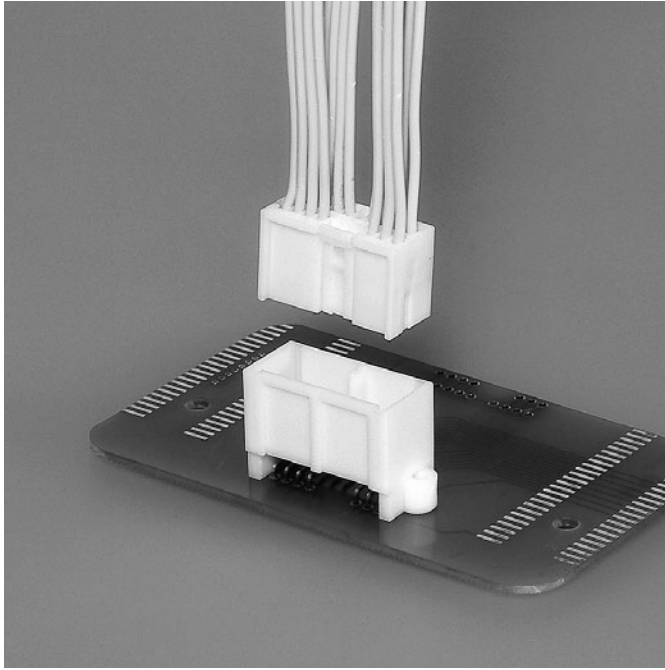


MIO CONNECTOR

Board-to-wire



Low profile type connector for interface of automotive electrical equipment.

Features

●Low profile

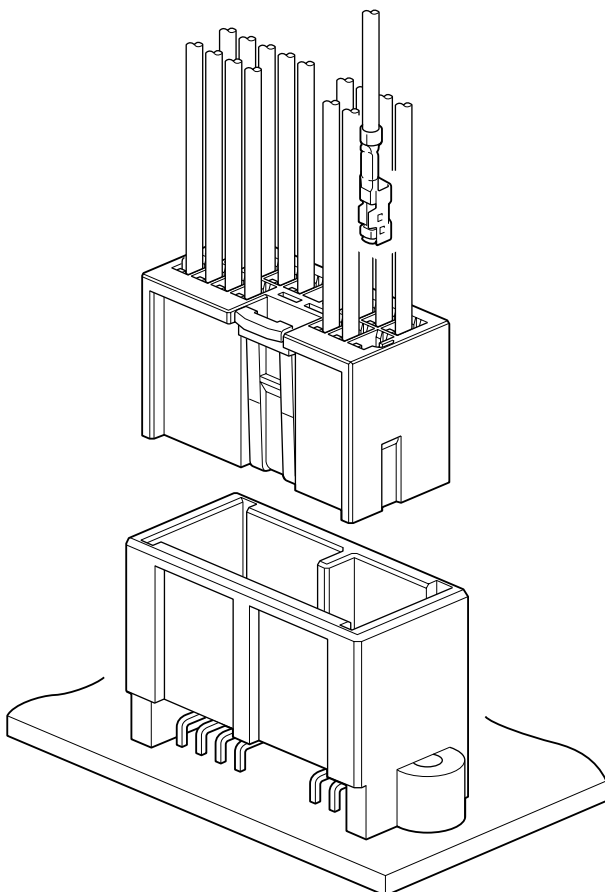
Using the short length female terminal, low profile is realized.

●Solder crack prevention configuration

Pin configuration of PC board side connector is designed for solder crack prevention.

●Reliability

Various ideas, such as prevention mechanism for excessive deformed female terminal, detection for incomplete inserted terminal by side retainer, improved terminal retention force, and the anti-misinsertion structure, are included in this connector.



Specifications

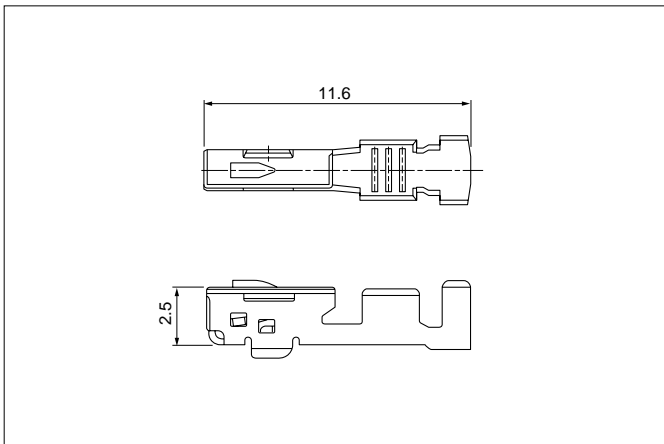
- Current rating: 5A AC, DC (0.5mm², Single circuit)
- Voltage rating: 12V AC, DC
- Temperature range: -40°C to +105°C
(including temperature rise in applying electrical current)
- Contact resistance: Initial value/5mΩ max.
After environmental testing/10mΩ max.
- Insulation resistance: 100MΩ min.
- Withstanding voltage: 1,000V AC/minute
- Applicable wire: SE/ AVSS/ CAVS
0.2mm²
0.3mm² to 0.5mm²

* Compliant with ELV/RoHS.

* Contact JST for details.

MIO CONNECTOR

Female terminal

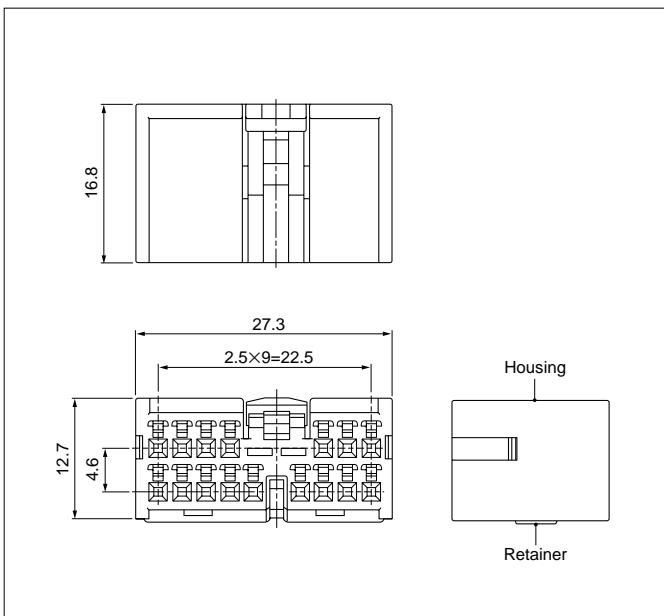


Model No.	Applicable wire range		Q'ty/reel
	Conductor (mm ²)	Insulation O.D. (mm)	
SHCM-A03T-P025	0.3 to 0.5	1.4 to 1.8	5,000
SHCM-A04T-P025	0.2	1.23	5,000

Material and Finish

Copper alloy, tin-plated (reflow treatment)

Female connector

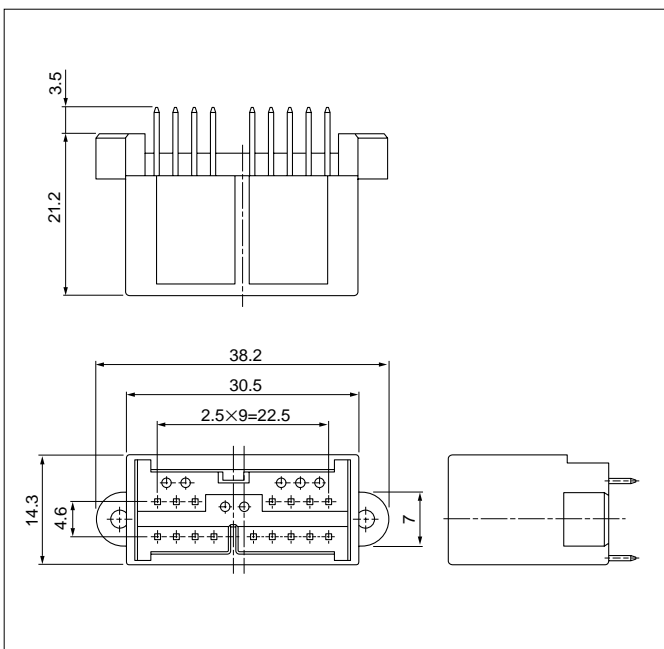


Circuits	Model No.	Q'ty/bag
16	MIOPB-16-SS	100

Material

Housing: PBT, natural (white)
Retainer: PBT, natural (white)

Header

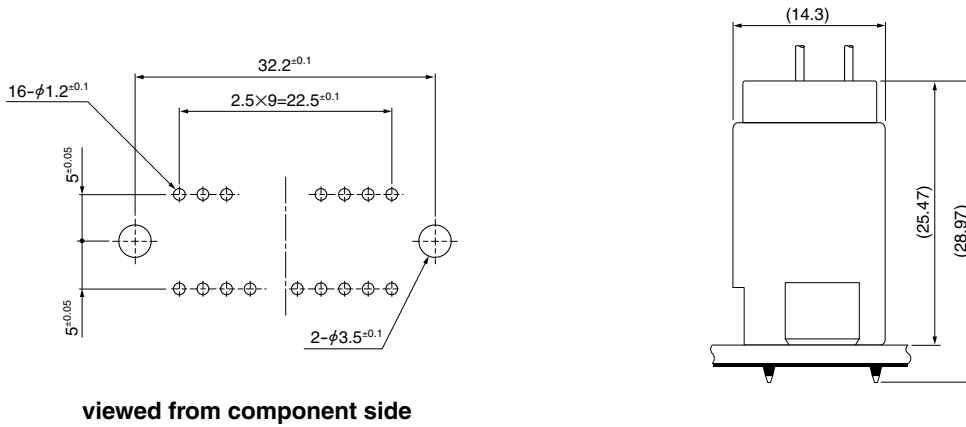


Circuits	Model No.	Q'ty/box
16	B16B-MIOS	80

Material and Finish

Pin: Brass, copper-undercoated, tin-plated (reflow treatment)
Housing: PBT, natural (white)

PC board layout, Assembly layout



viewed from component side

- Note: 1. Tolerances are non-cumulative: ± 0.05 mm for all centers.
 2. Hole dimensions differ according to the type of PC board and piercing method.
 The dimensions above should serve as guideline. Contact JST for details.

Crimping machine, Applicator

Strip terminal	Crimping machine	Crimp applicator MKS-L	
		Dies	Crimp applicator with dies
SHCM-A03T-P025	AP-K2N	MK/SHCM-A03-025	APLMK SHCM-A03-025
SHCM-A04T-P025		MK/SHCM-A04-025	APLMK SHCM-A04-025

Note: When crimping operation is conducted using an applicator and die set other than the above, JST cannot guarantee the performance of the terminal.