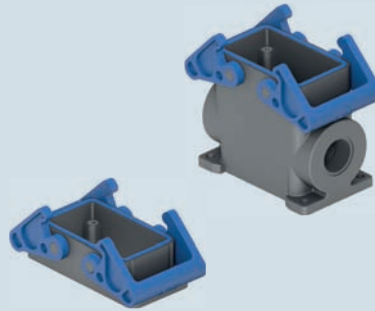


inserts:	page:
CDD 42 poles + ⊕	69
CDS 18 poles + ⊕	79
CSH 10 poles + ⊕	92
CNE, CSE 10 poles + ⊕	105
CCE 10 poles + ⊕	111
CSS 10 poles + ⊕	123
CT, CTSE (16A) *) .. 10 poles + ⊕	131
CQE 18 poles + ⊕	139
CMCE 3+2 (aux) poles + ⊕	148
CME 3+2 (aux) poles + ⊕	149
CMSH 3+2 (aux) poles + ⊕	149
CX 8/24 poles + ⊕	169
MIXO 3 modules	179 - 215

*) only for standard insulating version THIC

insert centre distance:
57 x 27 mm

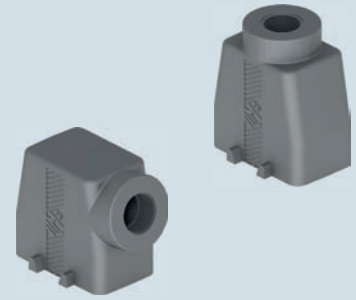
housings with double lever



SILICONE gasket

NEW

hoods with 4 pegs

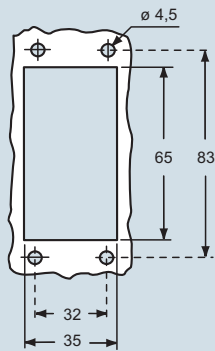


description	part No.	entry M
bulkhead mounting housing with thermoplastic levers	THIC 10	
surface mounting housing with thermoplastic levers	TAPC 10.25	25
surface mounting housing with thermoplastic levers	TAPC 10.32	32
with pegs, side entry		
with pegs, side entry		

part No.	entry M

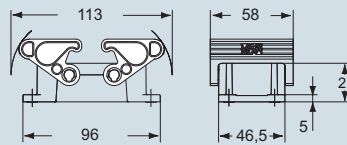
part No.	entry M
TMAO 10.25	25
TMAO 10.32	32
TMAV 10.25	25
TMAV 10.32	32

panel cut-out for bulkhead mounting housing in mm

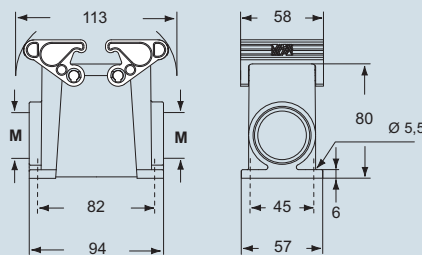


dimensions in mm

THIC 10

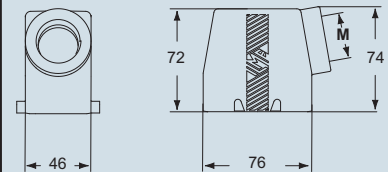


TAPC 10.25 and TAPC 10.32

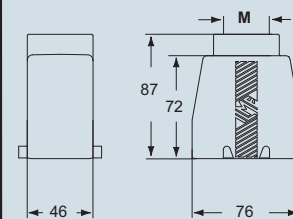


dimensions in mm

TMAO 10.25 and TMAO 10.32



TMAV 10.25 and TMAV 10.32



The surface mounting, high construction housings are supplied with an open threaded entry and diametrically opposite a closed threaded entry which can be opened by the user if required (with suitable tool).



ambient temperature limits -50 °C / +70 °C

dimensions shown are not binding and may be changed without notice

T-TYPE / C - size 57.27



inserts:	page:
CDD 42 poles + ⊕	69
CDS 18 poles + ⊕	79
CSH 10 poles + ⊕	92
CNE, CSE 10 poles + ⊕	105
CCE 10 poles + ⊕	111
CSS 10 poles + ⊕	123
CT, CTSE (16A) * .. 10 poles + ⊕	131
CQE 18 poles + ⊕	139
CMCE 3+2 (aux) poles + ⊕	148
CME 3+2 (aux) poles + ⊕	149
CMSH 3+2 (aux) poles + ⊕	149
CX 8/24 poles + ⊕	169
MIXO 3 modules	179 - 215

*) only for standard insulating version THIC

insert centre distance:
57 x 27 mm

hoods with double lever top entry



SILICONE gasket

NEW

covers



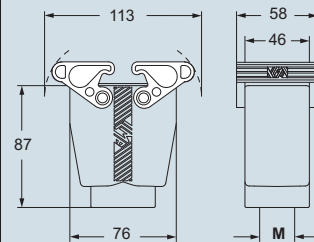
NEW

SILICONE gasket

description	part No.	entry M	part No. (with eyelet)	part No. (with loop)
with thermoplastic levers and gasket	TAVC 10 G25	25		
with thermoplastic levers and gasket	TAVC 10 G32	32		
with 4 pegs			TCHC 10	TCHC 10 S
with 2 thermoplastic levers and gasket				THCC 10 G

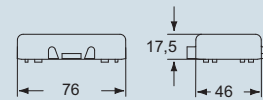
dimensions in mm

TAVC 10 G25 and TAVC 10 G32

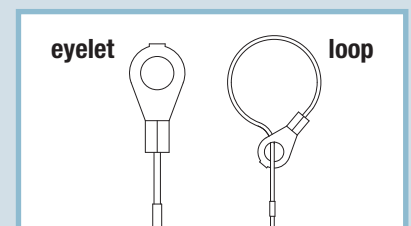
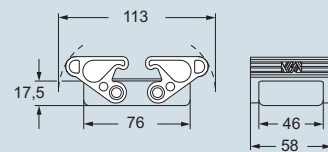


dimensions in mm

TCHC 10 (S)



THCC 10 G



ambient temperature limits -50 °C / +70 °C

dimensions shown are not binding and may be changed without notice